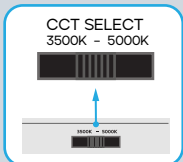
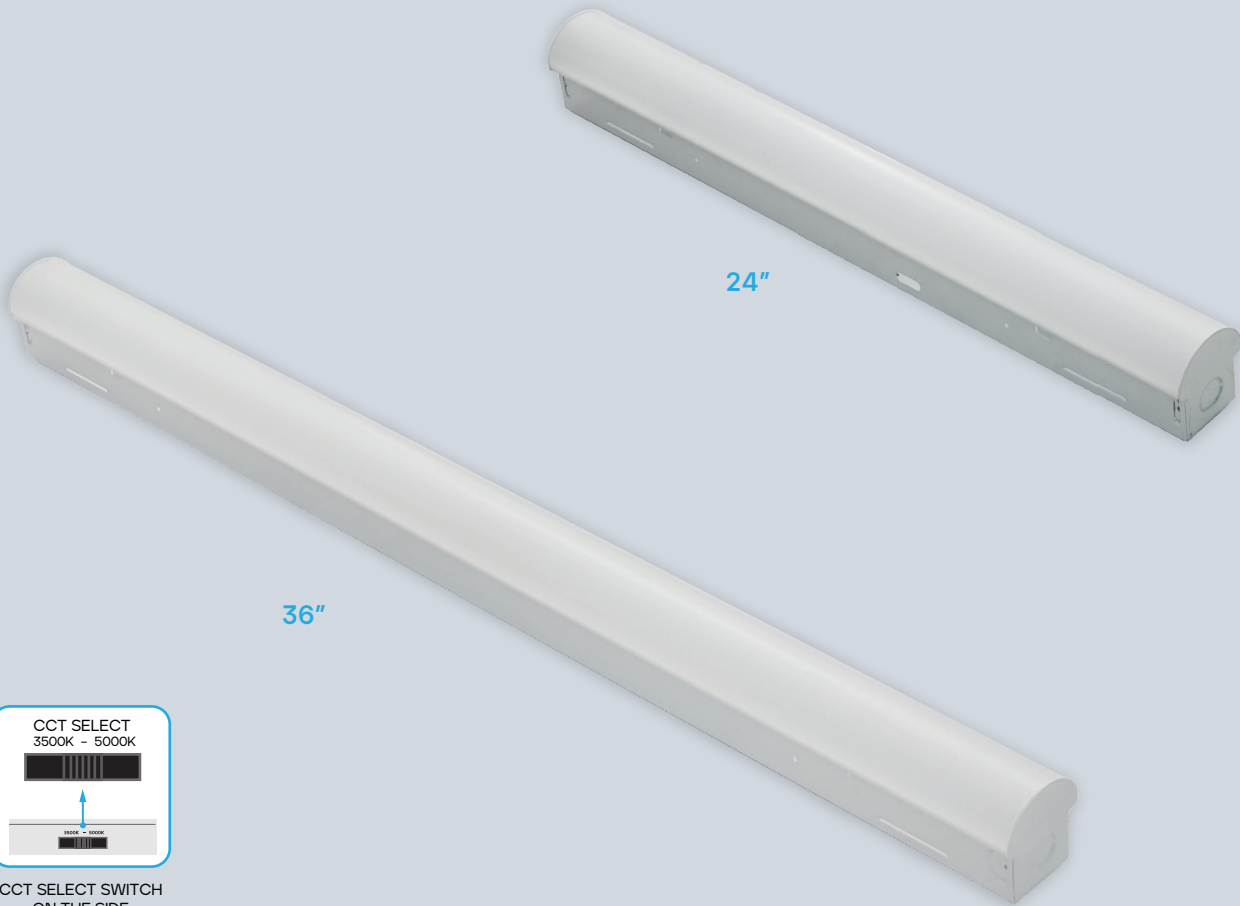


LED LINEAR STRIP SLIM - HIGH OUTPUT 24", 36" - CCT SELECT



CCT SELECT SWITCH
ON THE SIDE

EMERGENCY + MOTION SENSOR
OPTION ALSO AVAILABLE

LR25181+EM
LR25183+EM



LR25181+MS
LR25183+MS



COLOR SELECTABLE

3500K | 4000K | 5000K

DIMMABLE

0-10V



*OPTION
AVAILABLE



*OPTION
AVAILABLE



DAMP
LOCATION
RATED



5
YEAR
WARRANTY

ELECTRICAL

MODEL	DESCRIPTION	POWER	INPUT VOLTS	EFFICACY	LIFETIME	COST/YR	EMERGENCY TIME	MOTION SENSOR
24"	LR25181	LED24/LINEAR/3CCT/UNV/D/HO	20	120-277V	130 @ 3500K	50,000	\$ 2.41	
					131 @ 4000K			
					132 @ 5000K			
24"	LR25181+EM	LED24/LINEAR/3CCT/UNV/D/HO+EM	20	120-277V	130 @ 3500K	50,000	\$ 2.41	90 MINS
					131 @ 4000K			
					132 @ 5000K			
24"	LR25181+MS	LED24/LINEAR/3CCT/UNV/D/HO+MS	20	120-277V	130 @ 3500K	50,000	\$ 2.41	BI-LEVEL
					131 @ 4000K			
					132 @ 5000K			
36"	LR25183	LED36/LINEAR/3CCT/UNV/D/HO	25	120-277V	138 @ 3500K	50,000	\$ 3.01	
					139 @ 4000K			
					140 @ 5000K			
36"	LR25183+EM	LED36/LINEAR/3CCT/UNV/D/HO+EM	25	120-277V	138 @ 3500K	50,000	\$ 3.01	90 MINS
					139 @ 4000K			
					140 @ 5000K			
36"	LR25183+MS	LED36/LINEAR/3CCT/UNV/D/HO+MS	25	120-277V	138 @ 3500K	50,000	\$ 3.01	BI-LEVEL
					139 @ 4000K			
					140 @ 5000K			

PHOTOMETRIC

MODEL	DESCRIPTION	COLOR (CCT)	TEMP	LUMEN	CRI	UL LISTED
LR25181	LED24/LINEAR/3CCT/UNV/D/HO	3500K/4000K/5000K	CCT SELECT	2600 @ 3500K	80	YES
				2620 @ 4000K		
				2640 @ 5000K		
LR25181+EM	LED24/LINEAR/3CCT/UNV/D/HO+EM	3500K/4000K/5000K	CCT SELECT	2600 @ 3500K	80	YES
				2620 @ 4000K		
				2640 @ 5000K		
LR25181+MS	LED24/LINEAR/3CCT/UNV/D/HO+MS	3500K/4000K/5000K	CCT SELECT	2600 @ 3500K	80	YES
				2620 @ 4000K		
				2640 @ 5000K		
LR25183	LED36/LINEAR/3CCT/UNV/D/HO	3500K/4000K/5000K	CCT SELECT	3450 @ 3500K	80	YES
				3475 @ 4000K		
				3500 @ 5000K		

PHOTOMETRIC

MODEL	DESCRIPTION	COLOR (CCT)	TEMP	LUMEN	CRI	UL LISTED
LR25183+EM	LED36/LINEAR/3CCT/UNV/D/HO+EM	3500K/4000K/5000K	CCT SELECT	3450 @ 3500K	80	YES
				3475 @ 4000K		
				3500 @ 5000K		
LR25183+MS	LED36/LINEAR/3CCT/UNV/D/HO+MS	3500K/4000K/5000K	CCT SELECT	3450 @ 3500K	80	YES
				3475 @ 4000K		
				3500 @ 5000K		

COMPATIBLE WITH:

LR35120
LR35121
Emergency LED Driver



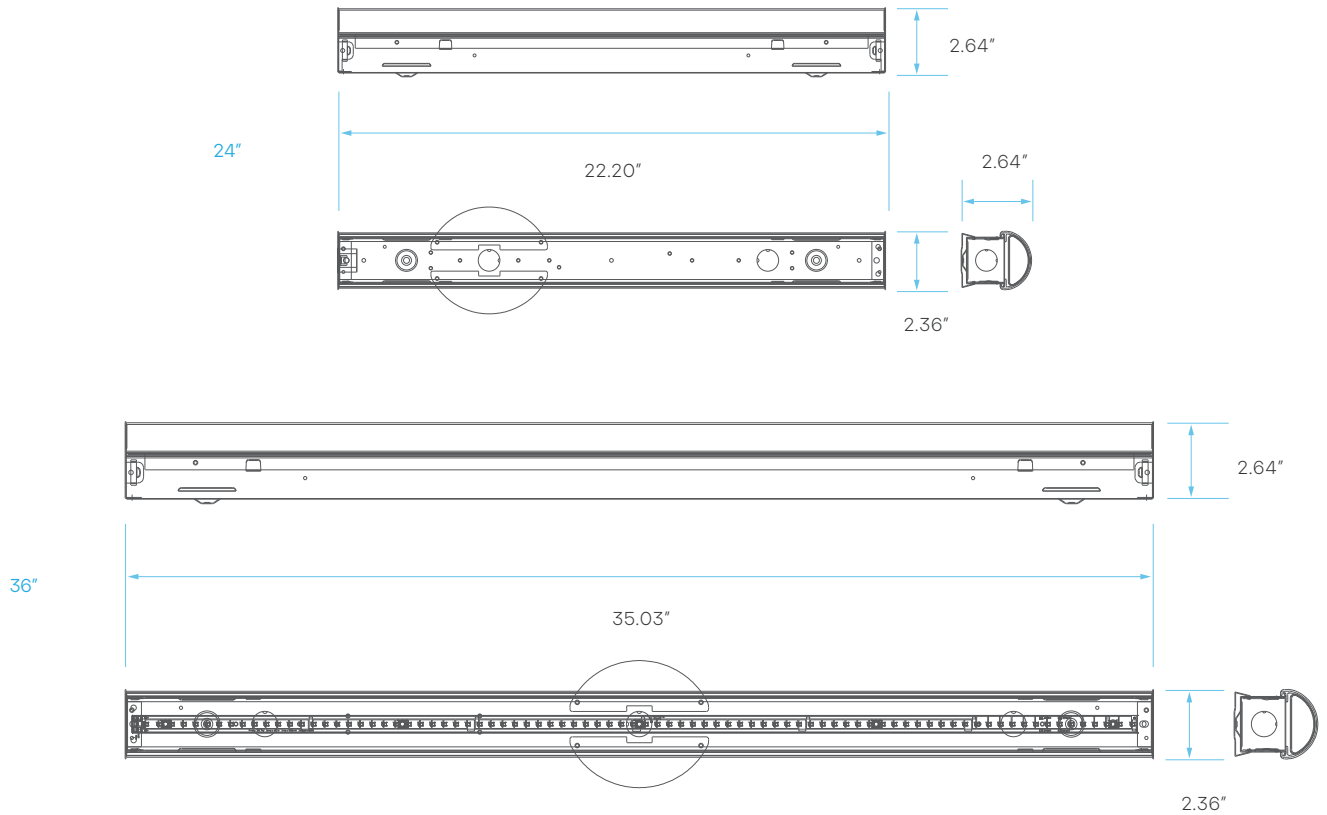
LR25176
SLIM LINEAR
PENDANT



LR25178
SLIM LINEAR
SUSPENSION KIT



DIMENSIONS



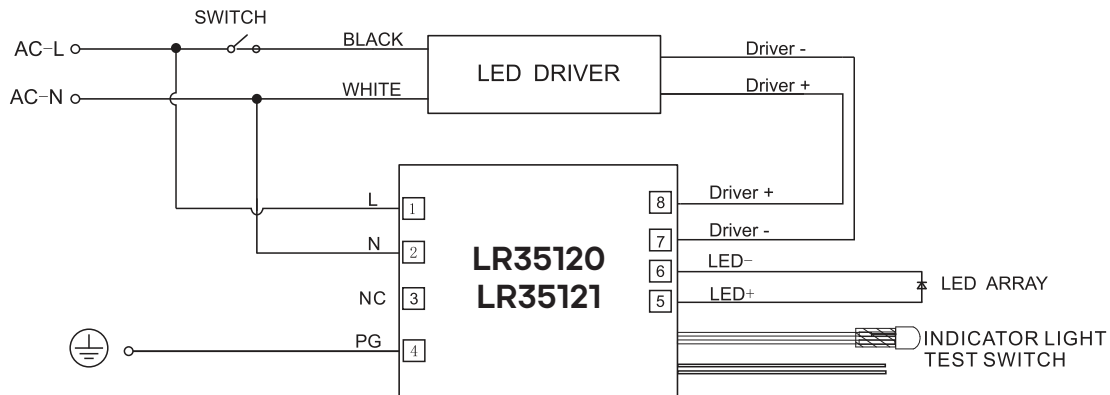


LR35120, LR35121 - SPECIFICATIONS

MODEL	DESCRIPTION	EM POWER	INPUT VOLTS	FREQUENCY	INPUT CURRENT	INPUT POWER	OUTPUT VOLTAGE	RECHARGE TIME	EMERGENCY TIME
LR35120	LED/EMR/8W/DC	8	100-277V	50/60Hz	100mA	7W max	25-48VDC	24Hr	90min
LR35121	LED/EMR/15W/DC	15	100-277V	50/60Hz	100mA	7W max	25-48VDC	24Hr	90min

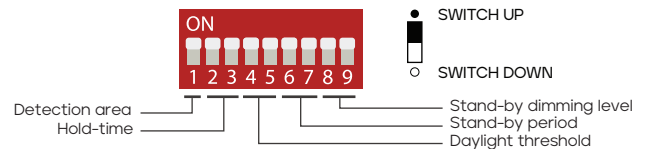
AMBIENT TEMPERATURE: 32°F ~ 104°F

WIRING DIAGRAM



LR25190 - BI-LEVEL MOTION SENSOR SETTINGS

Operating voltage	120-277VAC,50Hz/60Hz
Switching capacity	Max,3.0A@120Vac,50/60Hz; Max,2.0A@277Vac,50/60Hz
Stand-by power	≤1W
Control method	On/off / 1-10V Dimming Remote Control
Microwave frequency	5.8GHz±75MHz
Microwave power	<0.3mW
Detection area	50%/100%
Hold time	5s/30s/1min/10min
Daylight threshold	2Lux/10Lux/50Lux/Disable
Stand-by period	0s/30s/20min/+∞
Stand-by dimming level	10%/20%/30%/50%
Mounting height	8-15m /26.25-49.2ft
Detection range	Max.∅14m/45.93ft
Motion detection	0.5-1.5m/s
Operating temperature	-30°C~+70°C
IP rating	IP20
Warranty	5 years



● ●	100%
○ ●	50%

DETECTION AREA

In this area, movement will be detected and able to trigger the sensor. 100% detection area is also known as the strong sensitivity.

● ●	5s
○ ●	30s
● ○	1min
○ ○	10min

HOLD-TIME

The period of light keeping 100% brightness after moving objects leave the detection area.

● ●	Disable
○ ●	50Lux
● ○	10Lux
○ ○	2Lux

DAYLIGHT TRESHOLD

Definition of the ambient brightness; only when the ambient brightness is lower than the preset specific lux amount, the sensor will work; when it's preset as 'disable', the sensor works everytime it detects motion regardless the ambient brightness.

● ●	0s
○ ●	30s
● ○	20min
○ ○	+ ∞

STAND-BY PERIOD

The period of light keeping low output before it's completely switched off. When it's preset as '+∞', the light always keep at low output if no movement in the detection area and doesn't turn off.

● ●	10%
○ ●	20%
● ○	30%
○ ○	50%

STAND-BY DIMMING LEVEL

The definition of low output in the standby period.