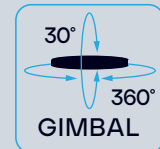


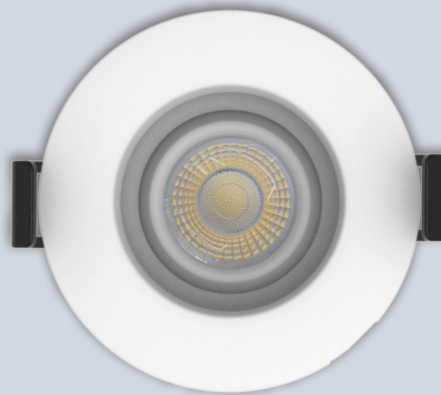
## LED SPOTLIGHT CANLESS REGRESSED GIMBAL 2", 3", 4"



2"

LR23310

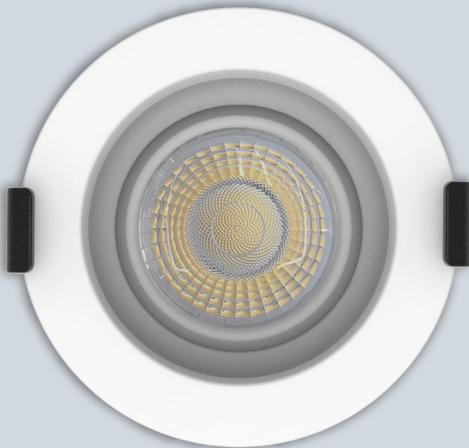
6W 400 LUMENS



3"

LR23311

9W 730 LUMENS



4"

LR23312

15W 1250 LUMENS



COLOR SELECTABLE

2700K 3000K 3500K 4000K 5000K



DIMMABLE  
TRIAC  
10%-100%

120V

IC  
RATED

WET  
LOCATION  
RATED

5  
YEAR  
WARRANTY

### ELECTRICAL

	MODEL	DESCRIPTION	POWER	INPUT VOLTS	EFFICACY	FLOOD	LIFETIME	COST/YR
2"	LR23310	LED6W/RDL2/GB/5CCT/RD/WT	6	120V	66	38°	50,000	\$ 0.72
3"	LR23311	LED9W/RDL3/GB/5CCT/RD/WT	9	120V	83	38°	50,000	\$ 1.08
4"	LR23312	LED15W/RDL4/GB/5CCT/RD/WT	15	120V	83	38°	50,000	\$1.80

## PHOTOMETRIC

MODEL	DESCRIPTION	COLOR (CCT)	TEMP	LUMEN	CRI	ETL	TITLE 24	ENERGY STAR	PLATE (KNOCKOUT)
LR23310	LED6W/RDL2/GB/5CCT/RD/WT	2700K/3000K/3500K/4000K/5000K	CCT SELECT	400	90	YES	YES		LR41004 (#0) LR41006 (#0) LR41010 (L0) LR41011 (#0)
LR23311	LED9W/RDL3/GB/5CCT/RD/WT	2700K/3000K/3500K/4000K/5000K	CCT SELECT	730	90	YES	YES	YES	LR41002 (#0) LR41006 (#1)
LR23312	LED15W/RDL4/GB/5CCT/RD/WT	2700K/3000K/3500K/4000K/5000K	CCT SELECT	1250	90	YES	YES	YES	LR41002 (#1) LR41006 (#3) LR41010 (R1) LR41011 (#4)

## COMPATIBILITY

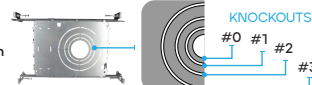
COMPATIBLE WITH:

**LR35126**

Emergency LED Driver

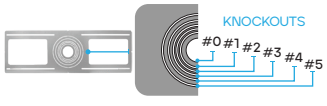


**LR41004**  
New Construction Mounting Plate



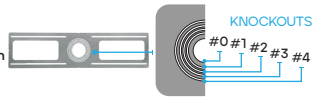
KNOCKOUT SIZE	
#0	Ø2.125" (Ø54 mm)
#1	Ø2.83" (Ø72 mm)
#2	Ø3.75" (Ø95 mm)
#3	Ø5.19" (Ø132 mm)

**LR41006**  
New Construction Mounting Plate



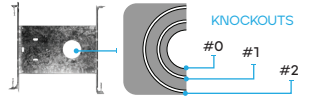
KNOCKOUT SIZE	
#0	Ø2.12" (Ø54 mm)
#1	Ø3.15" (Ø80 mm)
#2	Ø3.75" (Ø95 mm)
#3	Ø4.25" (Ø108 mm)
#4	Ø5.25" (Ø132 mm)
#5	Ø6.25" (Ø159 mm)

**LR41011**  
New Construction Mounting Plate



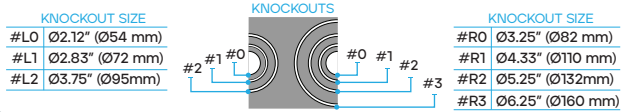
KNOCKOUT SIZE	
#0	Ø2.48" (Ø63 mm)
#1	Ø2.83" (Ø72 mm)
#2	Ø3.34" (Ø85 mm)
#3	Ø3.74" (Ø95 mm)
#4	Ø4.25" (Ø108 mm)

**LR41002**  
New Construction Mounting Plate



KNOCKOUT SIZE	
#0	Ø3.14" (Ø80 mm)
#1	Ø4.33" (Ø110 mm)
#2	Ø6.29" (Ø160 mm)

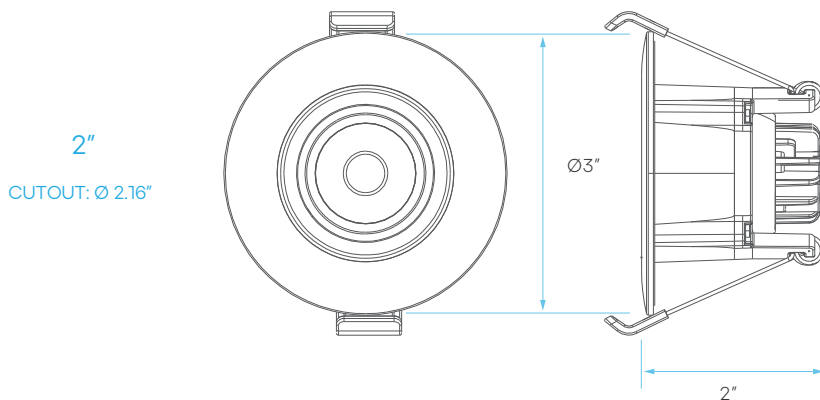
**LR41010**  
New Construction Mounting Plate



KNOCKOUT SIZE	
#L0	Ø2.12" (Ø54 mm)
#L1	Ø2.83" (Ø72 mm)
#L2	Ø3.75" (Ø95 mm)

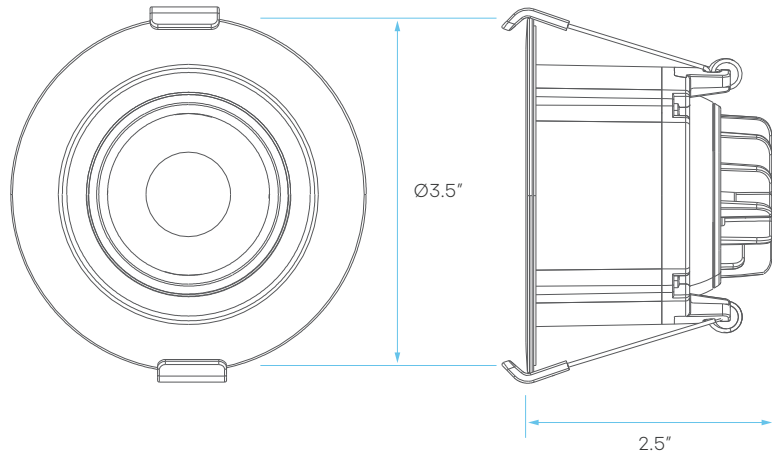
KNOCKOUT SIZE	
#R0	Ø3.25" (Ø82 mm)
#R1	Ø4.33" (Ø110 mm)
#R2	Ø5.25" (Ø132 mm)
#R3	Ø6.25" (Ø160 mm)

## DIMENSIONS



## DIMENSIONS

3"  
CUTOUT: Ø3"



4"  
CUTOUT: Ø4.31"

