

SLM6I

6" Indirect Round LED Recess Retrofit, 12W,
Airtight
Recess Lighting

Job Information		
Project Name		Type
Location		
Quantity		Date
Contact/Phone		
Notes		

Features

Body

Durable airtight aluminum body with covered reflector for low glare.

LED Characteristics

This general application light fixture features a 12 watt LED module that maintains uniform intensity producing up to 1000 lumens; with a typical CRI of 80+. Available in 3000 K color temperature.

Dimming

100%~0% dimming capability. This fixture is compatible with industry standard forward/reverse phase dimmers (visit www.liteline.com/IndirectLEDdimmers for list of compatible dimmers).

Beam Spread

The fixture lens provides 140° beam spread.

Mounting

Includes two spring loaded clips to attach to any ceiling material.

LED Driver

Extruded aluminum hardwire box with 300mA dimmable class II electronic LED driver with 100-135V AC input. Includes an 18" plenum rated FT6 wire from driver to fixture.

Quick Connect push-in terminals

Three "Quick connect" push-in terminals for fast and easy wiring.

Operating Temperature

-20°C~40°C (-4°F~104°F)

Environment

- Suitable for damp locations.
- Suitable for insulated ceiling applications.

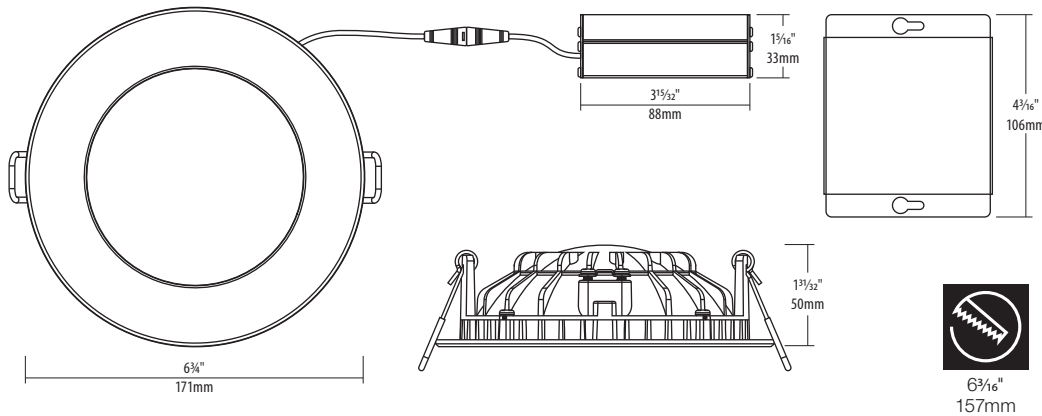
SPECIFICATION

Application	Ceiling Recess Mount
Approved Location	Damp / Insulated Ceilings
Beam Angle	140°
CCT	3000 K
Certification	cETLus
Class II	Yes
Color	WH
CRI	80+
Dimming	Yes
Dimming Tech	Forward/Reverse Phase
Hole Cut	Ø 6 ³ / ₁₆ " (157mm)
Input	100-135V AC, 60Hz, 0.11A
Lumens	1000
Lumens per Watt	92
Power Factor	>0.9
Projected Life	70% @ 50,000 hrs
Rated Life	50,000 hrs
THD	15%
Warranty	Lifetime
Wattage	12W



Description

The SLM6I is a 12 watt 6" round indirect LED light fixture for recess retrofit application. It is a high-performance, easy to install downlight solution that offers good light output, energy-efficiency and streamlined design. Suitable for damp locations. Ideal for new construction, remodelling and insulated ceiling applications. No recessed housing required.



6³/₁₆"
157mm

Notes: Accessories are sold separately. For additional options please consult your Liteline representative.
Due to our continued efforts to improve our products, product specifications are subject to change without notice.

Ordering Guide

Color Temperature	Driver Options	Trim Finish
SLM6I- []	[]	[]
30 : 3000 K	Leave blank for standard 120V driver C : 120~347V, 0-10V EM : Emergency Backup, 120~277V, 0-10V	WH : White

Accessories



SLM-60-FC

60" Flexible connector, for use with SLIMLED fixtures.



P-6020

6¼" Round pre-mounting plate with driver attachment clip, for 6" SLIMLED round fixtures.



P-NCMK-1

New construction mounting kit. Includes hanger bars, brackets and screws.



VBE-1

Vapour barrier extender. For use in new construction applications.



VBE-3

Vapour barrier extender. For use in remodel applications.



VBE-4

Vapour barrier extender. For use in remodel applications.

SLM6I-3020DTW

6" Indirect Round Dim-To-Warm LED Recess Retrofit, 12W, Airtight Recess Lighting

Job Information		
Project Name		Type
Location		
Quantity		Date
Contact/Phone		
Notes		

Features

Body

Durable airtight aluminum body with covered reflector for low glare.

LED Characteristics

This general application light fixture features a 12 watt LED module that maintains uniform intensity producing up to 800 lumens; with a typical CRI of 80+. Available in 3000 K color temperature.

Dimming

Color temperature dimming from 3000 K to 2000 K. This fixture is compatible with industry standard TRIAC/ELV dimmers (contact factory for listing of compatible dimmers).

Beam Spread

The fixture lens provides 140° beam spread.

Mounting

Includes two spring loaded clips to attached to any ceiling material. The slim

profile allows to be mounted under joists or duct work.

LED Driver

Extruded aluminum hardware box with 300mA dimmable class II electronic LED driver with 100-135V AC input. Includes an 18" plenum rated FT6 wire from driver to fixture.

Quick Connect push-in terminals

Three "Quick connect" push-in terminals for fast and easy wiring.

Operating Temperature

-20°C~40°C (-4°F~104°F)

Environment

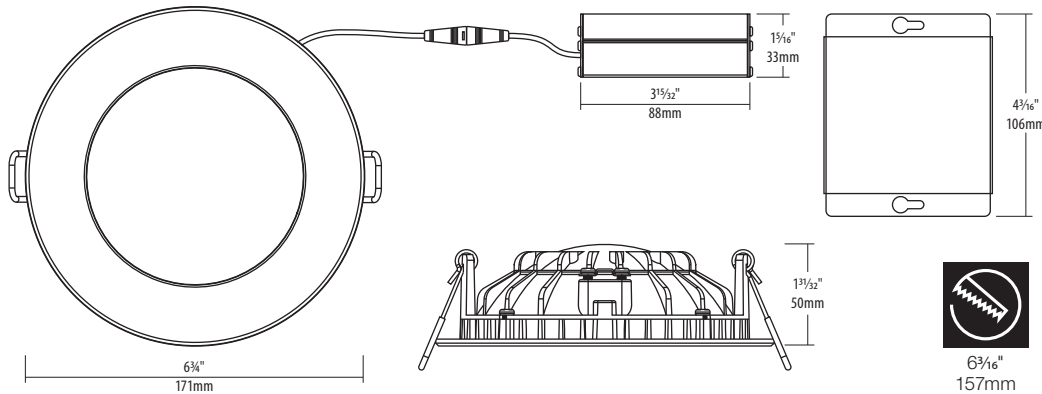
- Suitable for damp locations.
- Suitable for insulated ceiling applications.

SPECIFICATION	
Application	Ceiling Recess Mount
Approved Location	Damp
Beam Angle	140°
CCT	3000 K ~ 2000 K
Certification	cETLus
Class II	Yes
Color	WH
CRI	80+
Dimming	Yes
Dimming Tech	TRIAC/ELV
Hole Cut	Ø 6 ³ / ₁₆ " (157mm)
Input	100-135V AC, 60Hz, 0.11A
Lumens	Up to 800
Lumens per Watt	Up to 66
Power Factor	>0.93
Projected Life	70% @ 50,000 hrs
Warranty	Lifetime
Wattage	12W



Description

The SLM6I-3020DTW is a 12 watt 6" dim-to-warm LED light fixture for recess retrofit application. It is a high-performance, easy to install downlight solution that offers good light output, energy-efficiency and streamlined design. Suitable for damp locations.



Notes: Accessories are sold separately. For additional options please consult your Liteline representative. Due to our continued efforts to improve our products, product specifications are subject to change without notice.

Ordering Guide

SLM6I-3020DTW	Driver Options	Trim Finish
	Leave blank for standard 120V driver C : 120~347V, 0-10V EM : Emergency Backup, 120~277V, 0-10V	WH : White

Accessories



SLM-60-FC

60" Flexible connector, for use with SlimLED fixtures.



P-NCMK-1

New construction mounting kit. Includes hanger bars, brackets and screws.



VBE-3

Vapour barrier extender. For use in remodel applications.



P-6020

6 1/4" Round pre-mounting plate with driver attachment clip, for 6" SlimLED round fixtures.



VBE-1

Vapour barrier extender. For use in new construction applications.



VBE-4

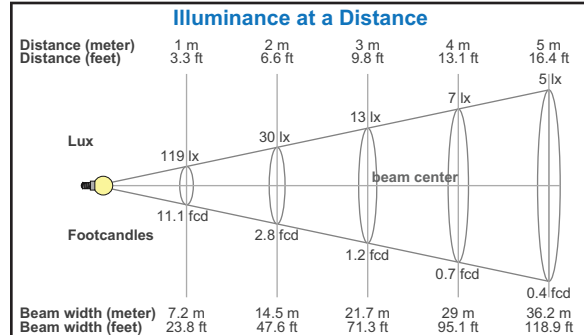
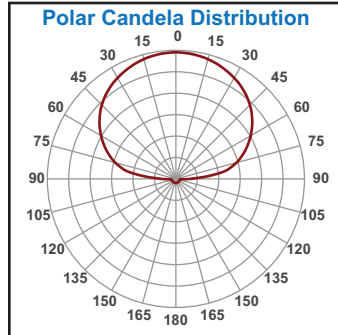
Vapour barrier extender. For use in remodel applications.

Photometry

SLM6I-3020DTW : 6" Indirect LED, round, dim-to-warm.

Zonal Lumen Summary

Zone	Lumens	% Luminaire
0-30	96.2	18.7%
0-40	163.0	31.7%
0-60	317.2	61.7%
60-90	168.8	32.9%
70-100	101.4	19.7%
90-120	14.7	2.9%
0-90	486.0	94.6%
90-180	27.8	5.4%
0-180	513.8	100%



Compatible Dimmers

Brand	Model	Maximum Number of Fixtures per Dimmer
Lutron	DVELV-300P	24
	SELV-300P	24
	NTELV-300	24
	NTELV-600	48
	MAELV-600	48
	MRF2-6ND-120	12
	DV600	8
Leviton	D-600P	8
	VPE04	12
	6615	22
	VPE06	45
	VRE06	45
	6672	4
	6674	7
Cooper	IPE04	10
	SAL06P-W-K	10
Pass & Seymour	HCL453PTC	30
	HCL453PW	30
	H703-PTU set to f	7
	H703-PTU set to R	50

SLM6I-3020DTW-L

6" Indirect Round Low Glare Reflector Dim-To-Warm LED Recess Retrofit, 12W, Airtight Recess Lighting

Job Information		
Project Name		Type
Location		
Quantity		Date
Contact/Phone		
Notes		

Features

Body
Durable airtight aluminum body with coved reflector for low glare.

LED Characteristics
This general application light fixture features a 12 watt LED module that maintains uniform intensity producing up to 750 lumens; with a typical CRI of 80+. Available in 3000 K color temperature.

Dimming
Color temperature dimming from 3000 K to 2000 K. This fixture is compatible with industry standard TRIAC/ELV dimmers (contact factory for listing of compatible dimmers).

Beam Spread
The fixture lens provides 100° beam spread.

Mounting
Includes two spring loaded clips to

attached to any ceiling material. The slim profile allows to be mounted under joists or duct work.

LED Driver
Extruded aluminum hardwire box with 300mA dimmable class II electronic LED driver with 100-135V AC input. Includes an 18" plenum rated FT6 wire from driver to fixture.

Quick Connect push-in terminals
Three "Quick connect" push-in terminals for fast and easy wiring.

Operating Temperature
-20°C~40°C (-4°F~104°F)

Environment

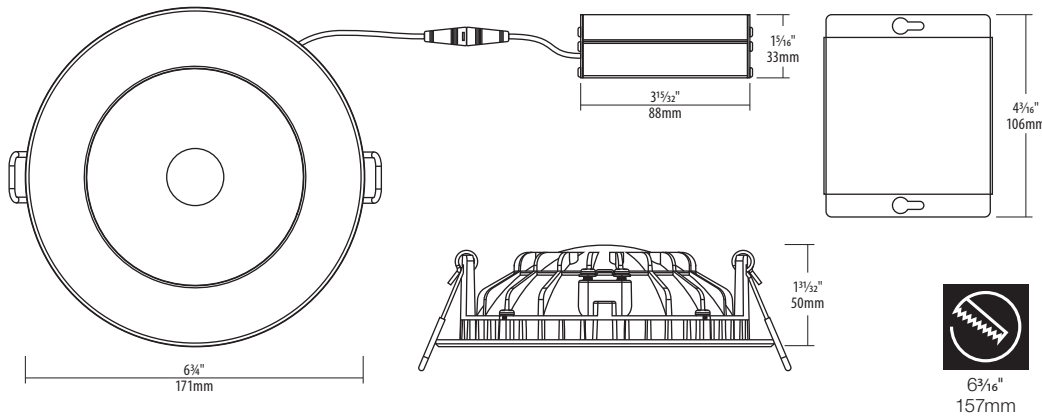
- Suitable for damp locations.
- Suitable for insulated ceiling applications.

SPECIFICATION	
Application	Ceiling Recess Mount
Approved Location	Damp
Beam Angle	100°
CCT	3000 K ~ 2000 K
Certification	cETLus
Class II	Yes
Color	WH
CRI	80+
Dimming	Yes
Dimming Tech	TRIAC/ELV
Hole Cut	Ø 6 ³ / ₁₆ " (157mm)
Input	100-135V AC, 60Hz, 0.11A
Lumens	Up to 750
Lumens per Watt	Up to 62
Power Factor	>0.93
Projected Life	70% @ 50,000 hrs
Warranty	Lifetime
Wattage	12W



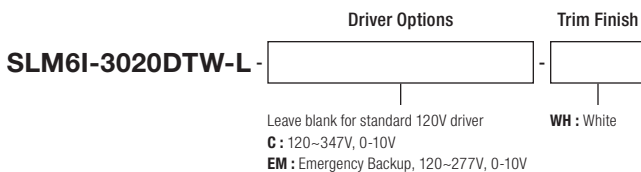
Description

The SLM6I-3020DTW-L is a 12 watt 6" indirect low glare reflector dim-to-warm LED light fixture for recess retrofit application. It is a high-performance, easy to install downlight solution that offers good light output, energy-efficiency and streamlined design. Suitable for damp locations.



Notes: Accessories are sold separately. For additional options please consult your Liteline representative.
Due to our continued efforts to improve our products, product specifications are subject to change without notice.

Ordering Guide



Accessories



SLM-60-FC

60" Flexible connector, for use with SlimLED fixtures.



P-NCMK-1

New construction mounting kit. Includes hanger bars, brackets and screws.



VBE-3

Vapour barrier extender. For use in remodel applications.



P-6020

6 1/4" Round pre-mounting plate with driver attachment clip, for 6" SlimLED round fixtures.



VBE-1

Vapour barrier extender. For use in new construction applications.



VBE-4

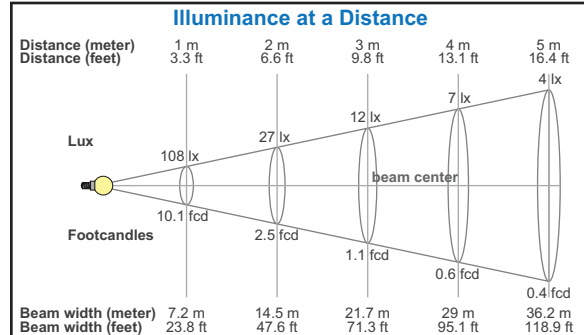
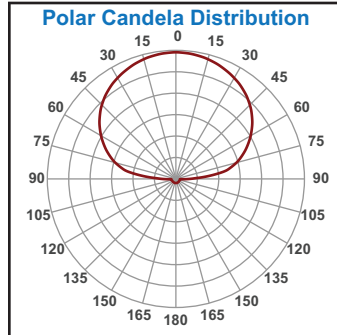
Vapour barrier extender. For use in remodel applications.

Photometry

SLM6I-3020DTW-L : 6" Indirect LED, round, dim-to-warm.

Zonal Lumen Summary

Zone	Lumens	% Luminaire
0-30	88.2	18.5%
0-40	149.8	31.4%
0-60	293.0	61.5%
60-90	155.1	32.6%
70-100	94.4	19.8%
90-120	15.8	3.3%
0-90	448.1	94%
90-180	28.5	6%
0-180	476.6	100%



Compatible Dimmers

Brand	Model	Maximum Number of Fixtures per Dimmer
Lutron	DVELV-300P	24
	SELV-300P	24
	NTELV-300	24
	NTELV-600	48
	MAELV-600	48
	MRF2-6ND-120	12
	DV600	8
Leviton	D-600P	8
	VPE04	12
	6615	22
	VPE06	45
	VRE06	45
	6672	4
	6674	7
Cooper	IPE04	10
	SAL06P-W-K	10
Pass & Seymour	HCL453PTC	30
	HCL453PW	30
	H703-PTU set to f	7
	H703-PTU set to R	50