

JB Series | DMX

Specification Sheet

264, 352 or 528 Watt, Multi-Channel 24V CV LED Drivers & DMX Decoders

Key Features

- Use with multi-channel LED products:
 - 4-channel RGBW
 - 3-channel RGB
 - 2-channel Tunable White
 - Static white/colors
- Pair with any DMX512 controller
- Separate channel or zone control
- Professional appearance covered & ventilated enclosures
- Surface mount or Recessed mount into finished walls
- Recessed model fits in between standard wall studs & has oversized cover to hide seams for clean installation

Specification Overview

- 4 channel DMX512/RDM decoder with Master mode
- Multi-Channel output (96W per Channel)
- Programmable PWM output from 500 Hz to 3500 Hz
- Flicker free dimming down to 0.1%
- Universal input voltage 120 to 277VAC
- Class 2, 24V constant voltage
- UL Listed & Recognized components
- 5-year warranty

Single Box
2 or 3 Channel



Double Box
4 to 6 Channel



120-277V

24VAC

CLASS 2

SELV



ORDERING INFORMATION

| Model | | Channels | | Driver | Control Platform | | Mounting | | Finish | |
|-------|---------------------|----------|------|--|------------------|------------|----------|---------------|--------|-------|
| JBZN | | | | CVN96R24DC | DMX | | | | W | |
| JBZN | JB Zone Dimmable | 3 | 3-Ch | SoliDrive Non-Dimmable, 120-277V Input, 96W, Recognized, 24VDC CV Output | DMX | DMX512/RDM | R | Recessed | W | White |
| | | 4 | 4-Ch | | | | S | Surface Mount | | |
| | | 6 | 6-Ch | | | | | | | |

ENCLOSURE DETAILS

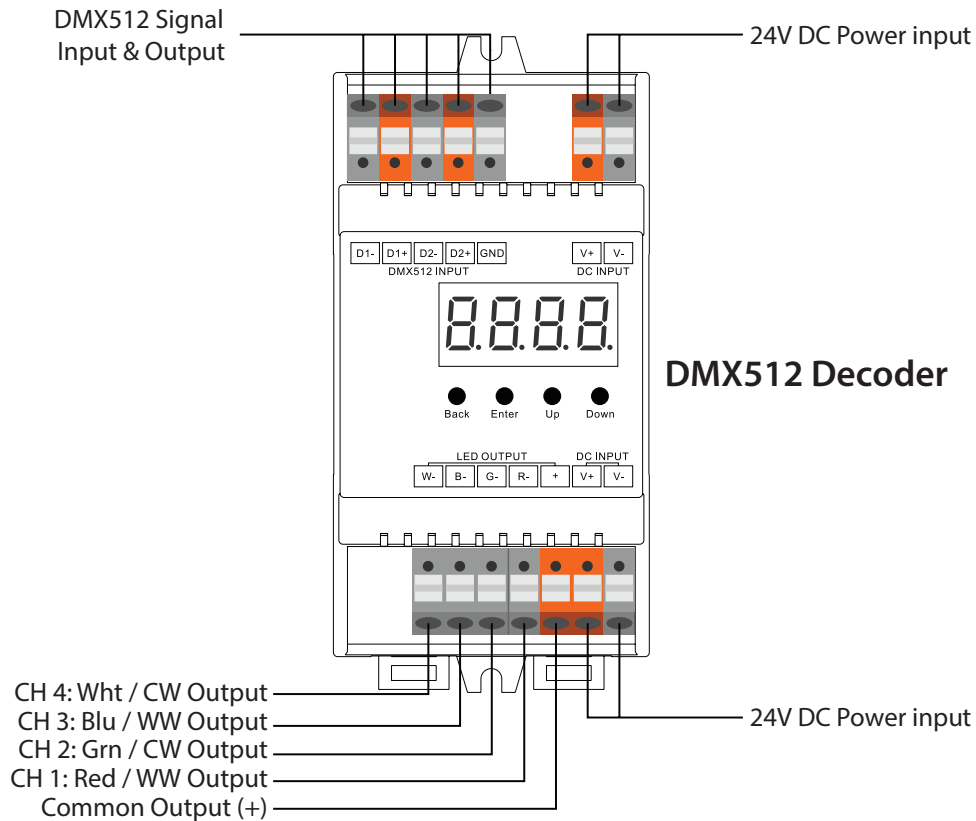
| Dimensions | Material | Finish | Environmental |
|--|---------------|-------------|---------------|
| Single Box (2-3CH): 14.0" W x 16.9" H x 4.2" D (357 x 429 x 107mm) | Stamped Steel | Powder Coat | Dry Location |
| Double Box (4-6CH): 14.0" W x 33.7" H x 4.2" D (357 x 856 x 107mm) | Stamped Steel | Powder Coat | Dry Location |

SPECIFICATIONS

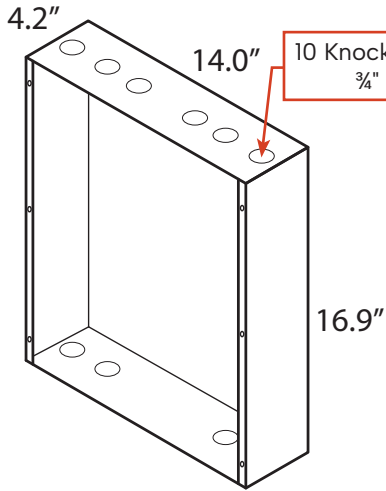
| Input | |
|---|-----------------------------------|
| Input Voltage Range | 120 to 277VAC ± 10% |
| Input Frequency | 50 / 60Hz |
| Input Current | 0.96A Max @ 120V |
| Inrush Current | 5A Max @ 120V |
| Efficiency | > 84% @ 120V |
| Power Factor | 0.95 @ 120V |
| THD | < 20% |
| Output | |
| Output Voltage | 24VDC Constant Voltage |
| Output Power | 4ch x 22W (3ch x 29W, 2ch x 44W) |
| Max Load | 96W per output channel |
| Output Current | 4 x 1A |
| Output Current @ Maximum Load | 4.1A |
| Output Dimming Method | DMX512 |
| Flicker | California Title 24 / JA8 |
| Output Ripple (Peak-to-Peak) | <3% |
| Line Regulation | < 2% |
| Load Regulation | < 3% |
| Turn On Delay Time | < 0.5 sec |
| Environmental | |
| Ambient Operating Temperature | -20°C to 50°C / (-4°F to 125°F) |
| Maximum Case Temp. (Tcase) | 90°C (194°F) |
| Storage Temperature | -40°C to +85°C / (-40°F to 185°F) |
| Enclosure | Dry Location |
| Cover Screws | Stainless Steel |
| Expected Lifetime | ≥ 80,000 hrs @Tc ≤ 60°C |
| Dimming | |
| Output Dimming Method | DMX 512 PWM |
| Minimum Dimming Level | 0.1% |
| Minimum Load for Dimming | 5W per channel |
| Dimming Curve | Programmable |
| Protection | |
| Over Current Protection | Yes |
| Over Voltage Protection | Yes |
| Over Temperature Protection | Yes / Hiccup Mode |
| Overload Protection | Yes / Current Limit |
| Short Circuit Protection | Yes / Current Limit |
| Approval Markings & Certifications | |
| Listing | UL Listed & Recognized components |
| Certifications | Class 2 |

DMX DECODER SPECIFICATIONS

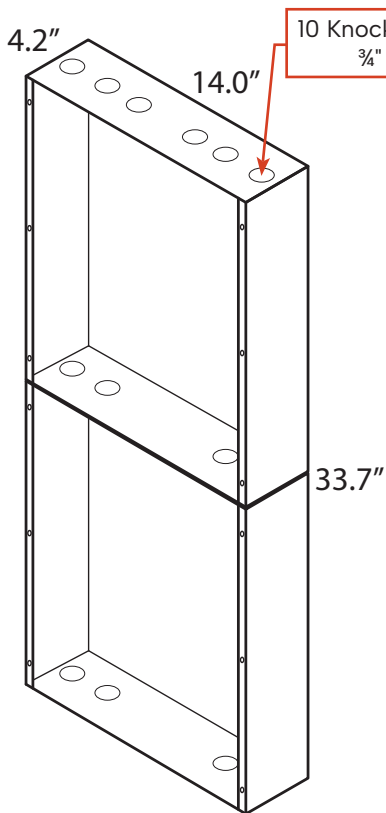
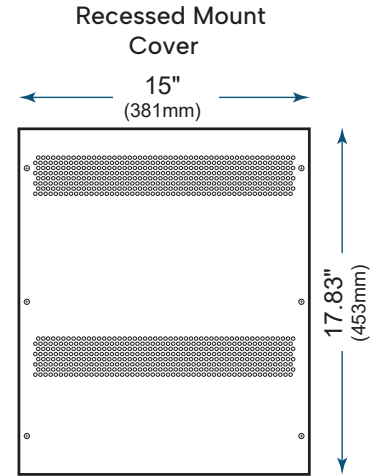
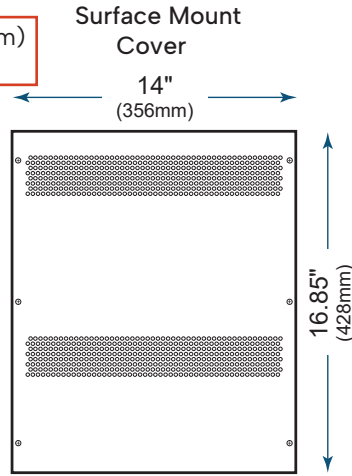
| Input | |
|-------------------------------------|---|
| Input Voltage Range | 12 – 36VDC |
| Output | |
| Output Voltage | 24VDC |
| Output Power | 4 x (60-180W) |
| Output Current | 4 x 5A |
| Output Dimming Method | DMX512 |
| Minimum Dimming Level | 0.1% |
| Features | |
| DMX Protocol Compatibility | DMX, DMX512, DMX512(1990), DMX 512-A, RDM V1.0 (E1.20 – 2006 ESTA Standard) |
| DMX Decoder with Master Mode Option | In Master Mode use interface on Decoder to control lighting. No remote DMX controller required. (Note: Master Mode has limited functions) |
| RDM Function | Allows two-way communication with Controller |
| 4 PWM Output Channels + Common | 1 to 4 Channels for RGB, RGB-W, Dynamic & Static |
| Programmable PWM Output Resolution | 8-Bit (256 steps) or 16-Bit (65,536 steps) |
| Programmable PWM Output Frequency | From 500 Hz to 3500 Hz |
| Programmable Output Dimming Curve | Linear plus 6 optional Logarithmic curves |
| Updatable Firmware | Updatable through DMX port (Windows only) |



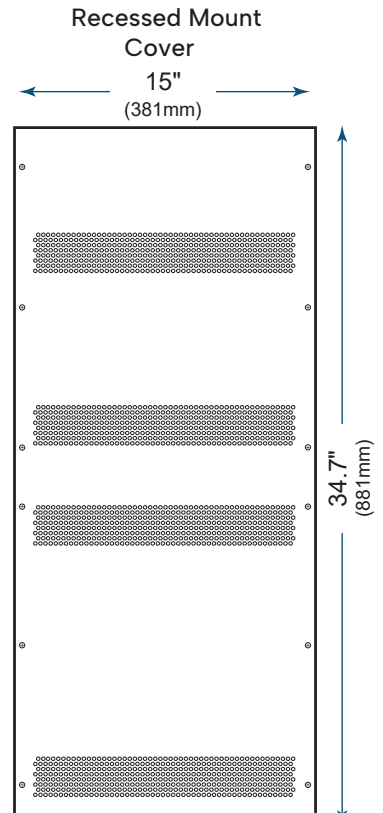
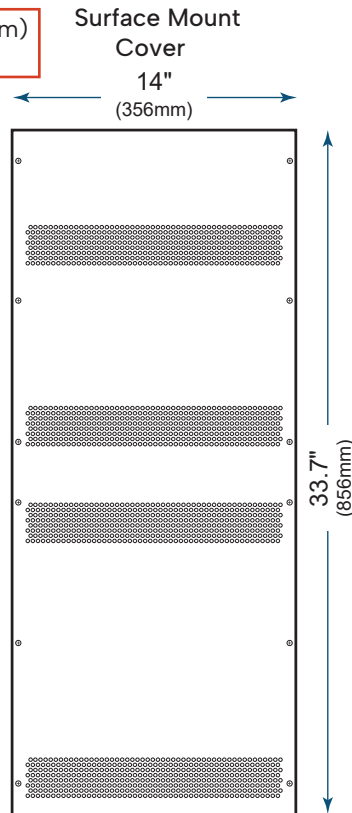
MECHANICAL DIAGRAMS



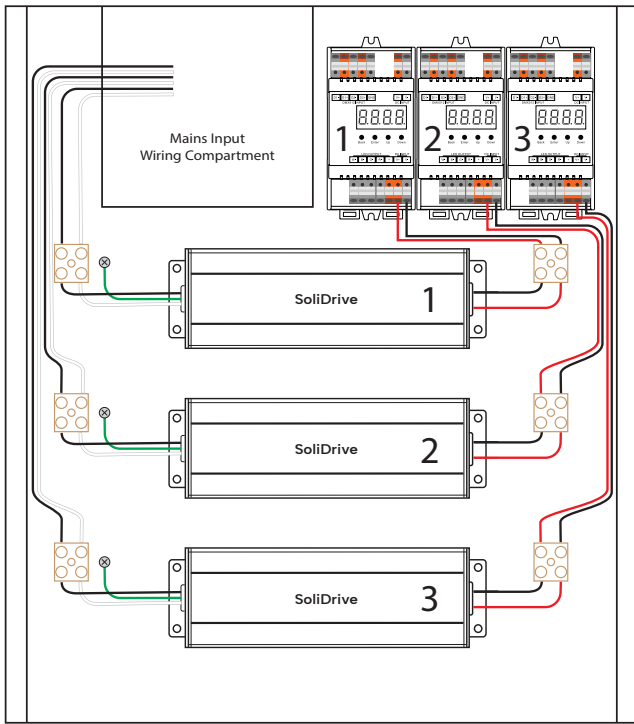
Single Box



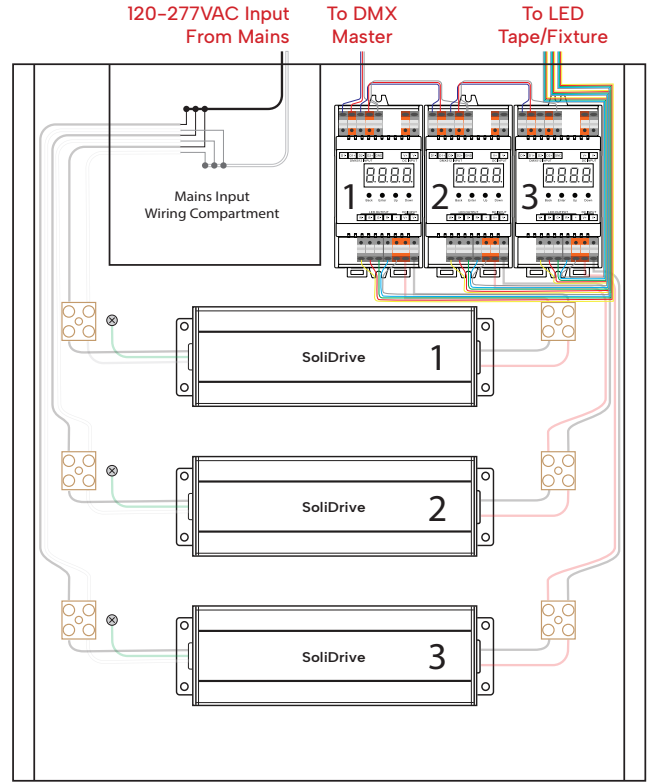
Double Box



WIRING DIAGRAMS



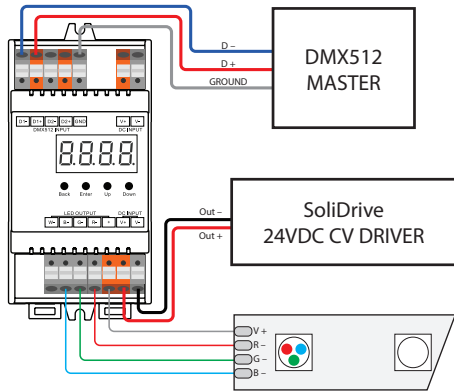
Wired at factory



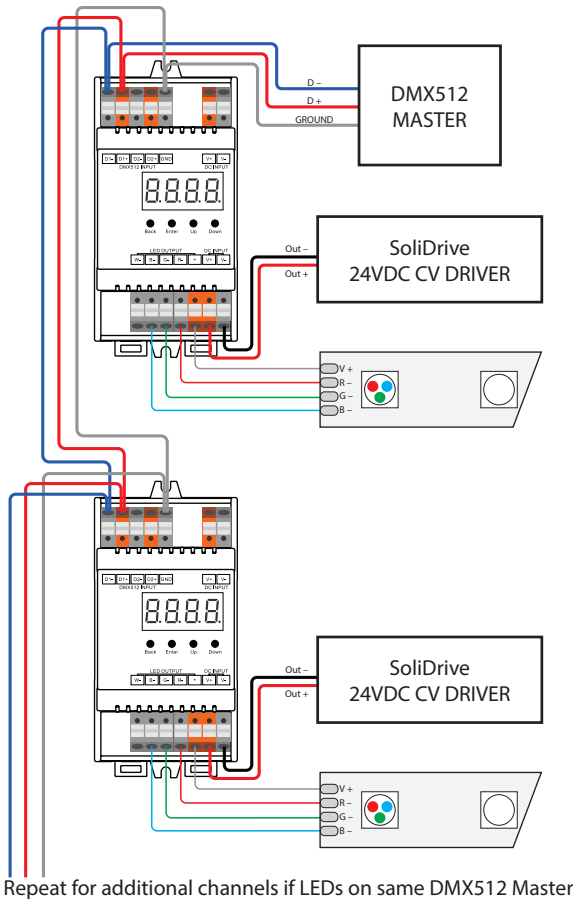
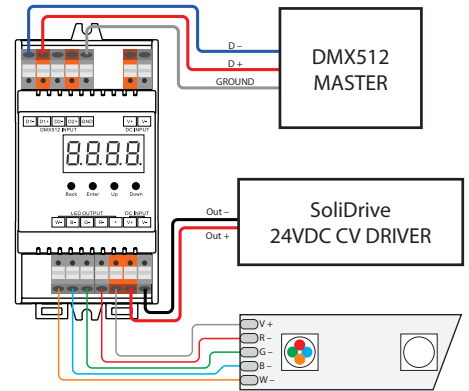
Wired in the field

WIRING DIAGRAMS

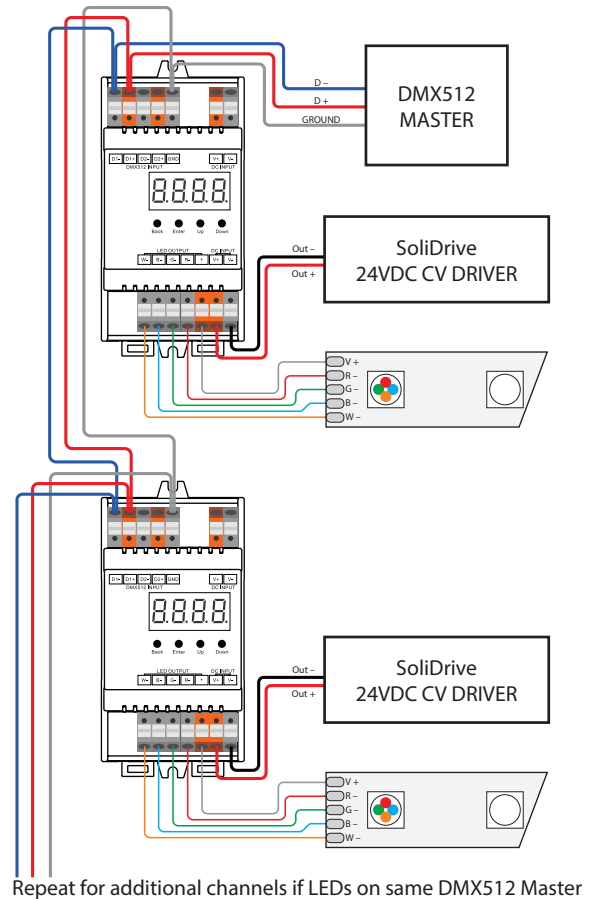
RGB Wiring



RGB-W Wiring



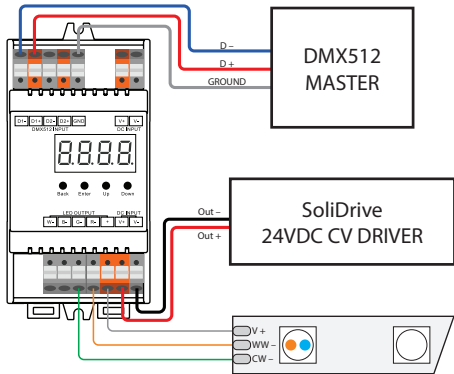
Repeat for additional channels if LEDs on same DMX512 Master



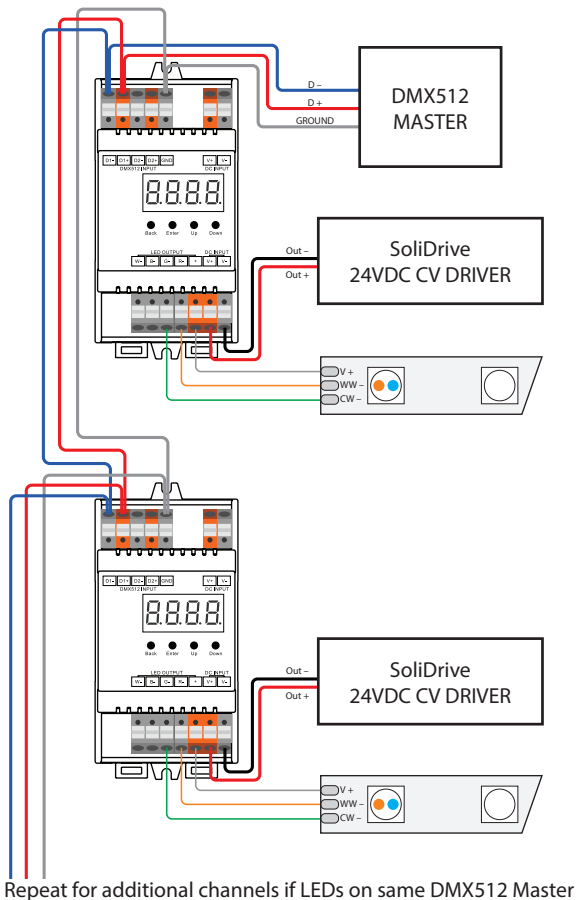
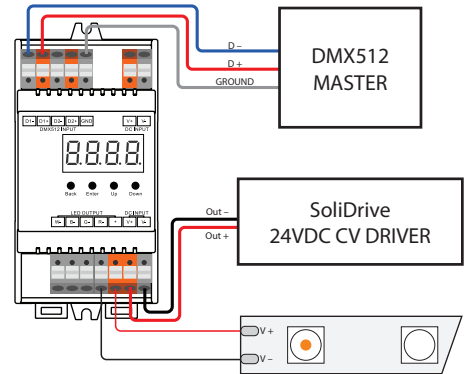
Repeat for additional channels if LEDs on same DMX512 Master

WIRING DIAGRAMS

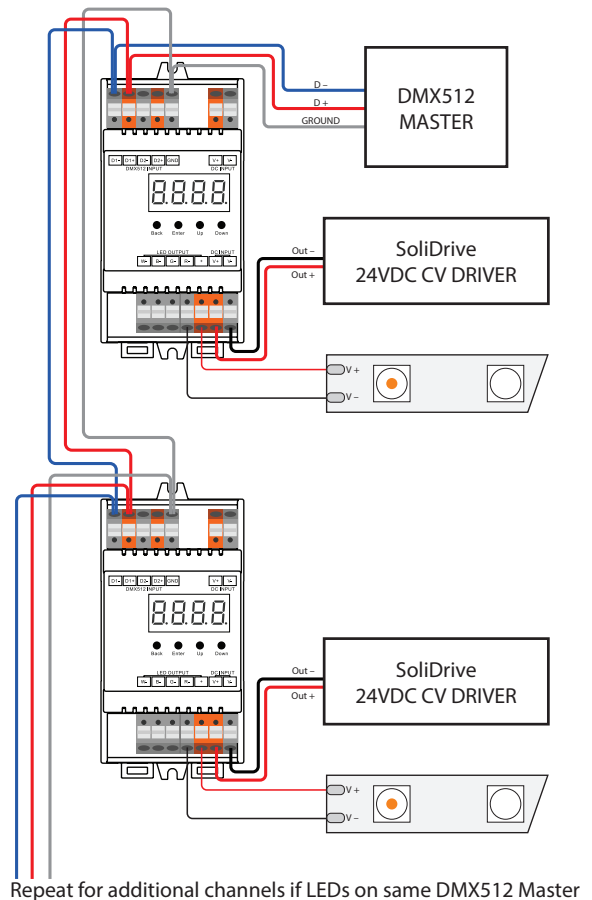
3-Wire Tunable White Wiring



Static Color Wiring



Repeat for additional channels if LEDs on same DMX512 Master



Repeat for additional channels if LEDs on same DMX512 Master