

SLIM LED WALL PACK

INSTALLATION INSTRUCTIONS

PLEASE FIND A QUALIFIED ELECTRICIAN FOR INSTALLATION. Please read the instructions before you install and use the luminaire.

APPLICATION

Building mount for exterior illumination needs (including perimeter, pathways, loading docks, and general security lighting requirements)

SAFETY AND ELECTRICAL PARAMETERS

Warning

- To reduce the risk of death, personal injury, or property damage from fire, electric shock, falling parts, cuts/abrasions, and other hazards, read all warnings and instructions included with and/or the fixture box and fixture labels.
- Before installing, servicing, or performing routine maintenance upon this equipment, follow these general precautions.
- Commercial installation, service, and maintenance of luminaires should be performed by a qualified licensed electrician.
- If you are unsure about the installation or maintenance of the luminaires, consult a qualified licensed electrician. Please abide by all relevant country, regional, and local code requirements and regulations when installing this luminaire. Wiring must be in accordance with NEC and all applicable local codes.
- Do not make or alter any holes unnecessarily in an enclosure of wiring or electrical components during the installation. Additional holes in the housing are permitted only for mounting hardware and must be properly sealed with silicone (not provided) in order to maintain watertight operation of the fixture.

Warning

- Turn off electrical power at the fuse or circuit breaker box before wiring fixture to the building power.
- Turn off the electrical power when you perform any maintenance.
- Verify that supply voltage is correct by comparing it with the luminaire label information. Do not install with supply voltage that exceeds the rated input voltage of the luminaire.
- All wiring connections should be capped with UL approved wire connectors.

Caution

- Avoid direct eye exposure to the light source while it is on.
- Account for small parts and destroy/recycle packaging material, as these may be hazardous to children.
- Risk of Burn. Disconnect power and allow fixture to cool before handling/servicing.

Notice

- All fixture installs must be properly grounded.
- Minimum of 75C supply conductors.
- Specifications and dimensions subject to change without notice. Consult Keystone with any questions or concerns.
- Fixture is IP65 Rated: Suitable for wet location.
- Ensure ambient operating temperature between $-40^{\circ}\text{C}/-40^{\circ}\text{F}$ to $50^{\circ}\text{C}/122^{\circ}\text{F}$ is maintained. Exceeding these temperature ranges will void warranty and may reduce lifetime or cause performance issues.
- Inspect fixture for any damages before installing. If there is any damage, please do not install and contact Keystone or authorized distributor for resolution.
- Fixture should not be recessed. Housing must be mounted with lens facing towards the ground.
- Fixture is intended for outdoor usage but should not be mounted less than 80" from the ground.

COMPONENTS INCLUDED IN KIT

Part	Quantity
LED Slim Wall Pack	1

Caution: Before installing, make certain that AC power to the fixture is off.

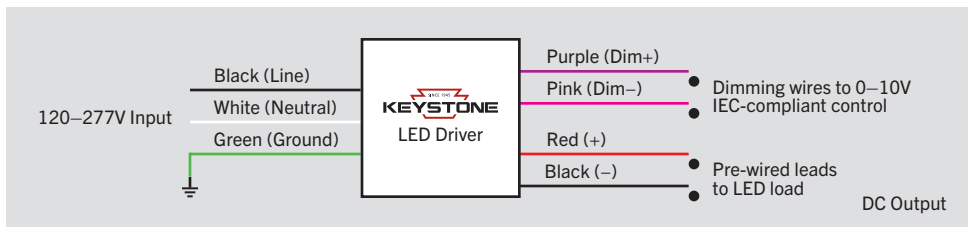
Caution: The electrical rating of this product is 120–277V. Installer must confirm that there is 120–277V at the fixture before installation.

ELECTRICAL SPECIFICATIONS

Catalog Number	Wattage	Lumens	CCT	Efficacy	CRI	Dimming	Input Voltage	Photocell	Housing Color	Rated Life	Legacy Equivalent
KT-WPLED35PS-M4-8CSB-VDIM	35W	4550 lm	3000K	130 lm/W	>80	0–10V	120–277V	Included	Bronze	50,000 hrs	175W MH
	25W	4655 lm	4000K	133 lm/W							
	15W	4620 lm	5000K	132 lm/W							
KT-WPLED55PS-M4-8CSB-VDIM	55W	7260 lm	3000K	132 lm/W							
	45W	7645 lm	4000K	139 lm/W							
	35W	7370 lm	5000K	134 lm/W							
KT-WPLED80PS-M4-8CSB-VDIM	80W	10560 lm	3000K	132 lm/W							
	70W	11280 lm	4000K	141 lm/W							
	55W	10960 lm	5000K	137 lm/W							
KT-WPLED120PS-L4-8CSB-VDIM	120W	17040 lm	3000K	142 lm/W							
	100W	17640 lm	4000K	147 lm/W							
	80W	16920 lm	5000K	141 lm/W							

GENERAL SETUP INSTRUCTIONS

GENERAL WIRING DIAGRAM



Note: *In accordance with NEC-20 410.69 2022, all 0-10V negative wires have been updated from gray to pink. Please contact Keystone for details

POWER SELECT (WATTAGE) ADJUSTMENT

The Power Select dial for this fixture is located inside of the housing. To access the dial, open the fixture face (see below instructions for reference). This wall pack is selectable between 3 wattage options, and is preset to the highest option. Please see chart below for details.

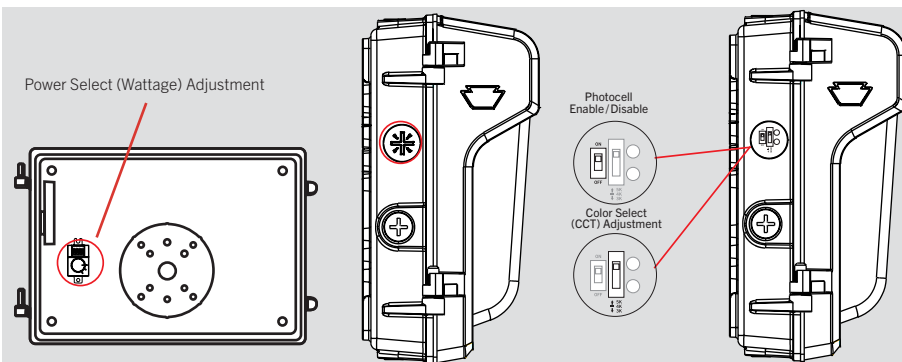
COLOR SELECT (CCT) ADJUSTMENT

This fixture is equipped with Color Select technology. There is an adjustable dip switch behind the translucent knock-out (KO) cover to change CCT between 5000K, 4000K, and 3000K (see illustrations below). Fixture comes preset at 5000K unless otherwise noted.

Note: *Please turn off the power before adjusting the color temperature.

PHOTOCELL ENABLE/DISABLE

This fixture is equipped with a dusk-to-dawn photocell behind the translucent knockout (KO) cover. Adjust the dip switch to enable (ON) or disable (OFF) the photocell function (see illustrations below). Fixture comes preset with photocell enabled unless otherwise noted.



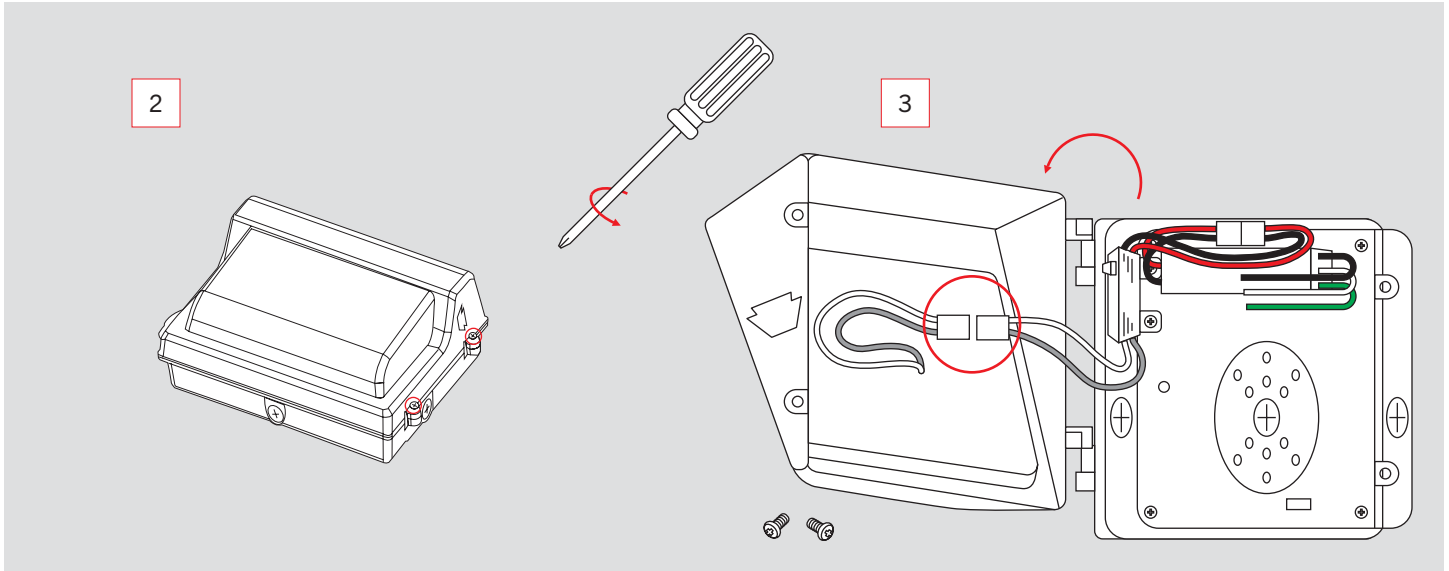
Catalog Number	Selectable Wattage	Preset Value
KT-WPLED35PS-M4-8CSB-VDIM	35W	35W
	25W	
	15W	
KT-WPLED55PS-M4-8CSB-VDIM	55W	55W
	45W	
	35W	
KT-WPLED80PS-M4-8CSB-VDIM	80W	80W
	70W	
	55W	
KT-WPLED120PS-L4-8CSB-VDIM	120W	120W
	100W	
	80W	

INSTALLATION INSTRUCTIONS

OPTION 1: Installation via Back Side Wiring of Junction Box

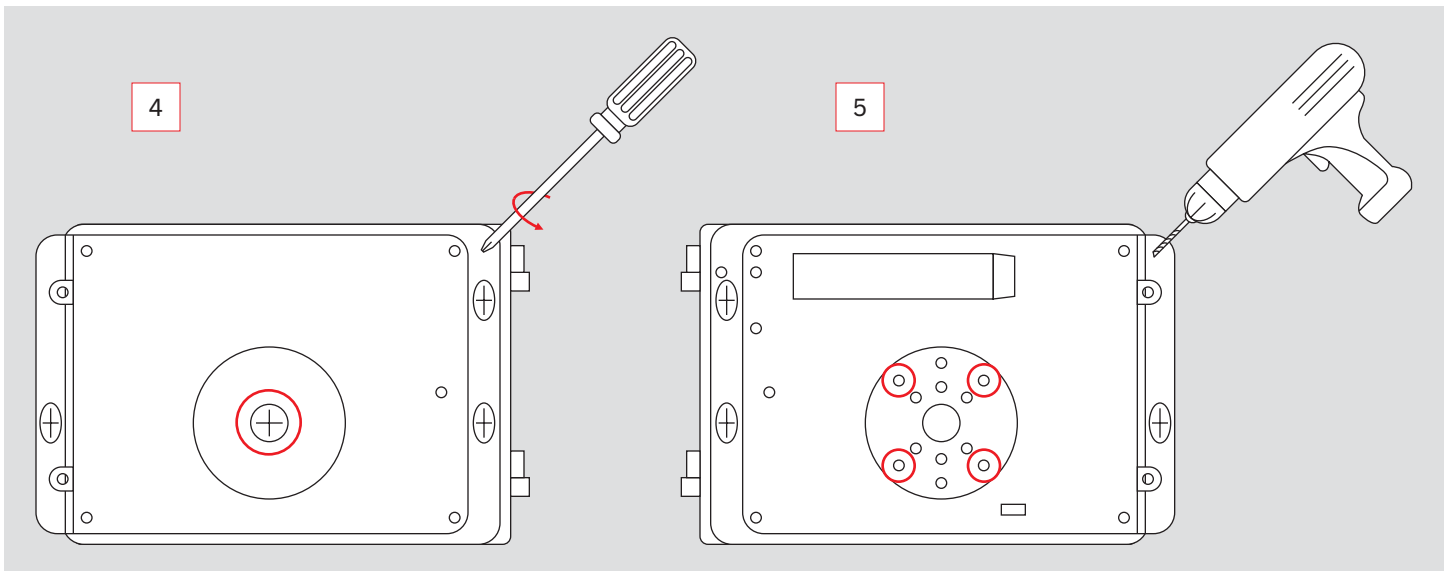
1. Ensure that power is off before beginning installation.
2. Open fixture by loosening 2 screws.
3. Disconnect wiring to LED's quick-connector and remove entire door assembly.

(see illustrations below)



4. Using a screwdriver, remove the 1/2" threaded plug in the center of the junction box drilling template.
5. Using the junction box drilling template on back of housing as a reference, drill out the appropriate holes that align with junction box accommodations on site (drilling template matches most standard junction box varieties).

(see illustrations below)

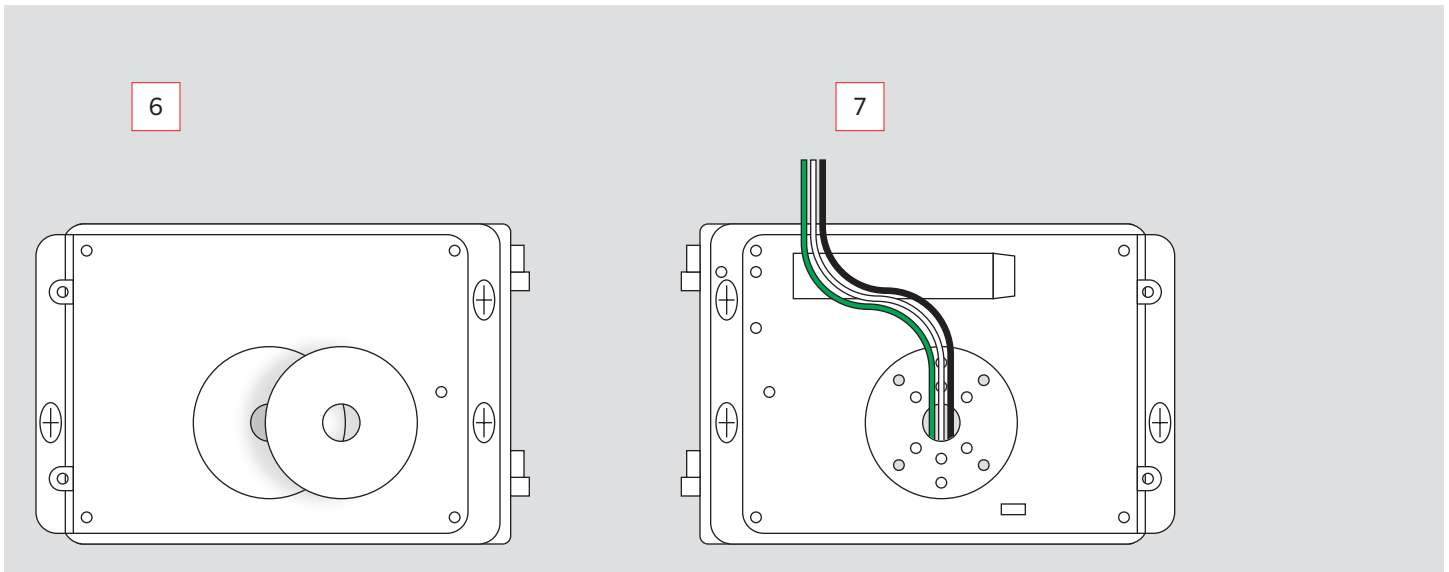


(Installation Instructions continued on next page)

INSTALLATION INSTRUCTIONS (continued)**OPTION 1: Installation via Back Side Wiring of Junction Box** (continued)

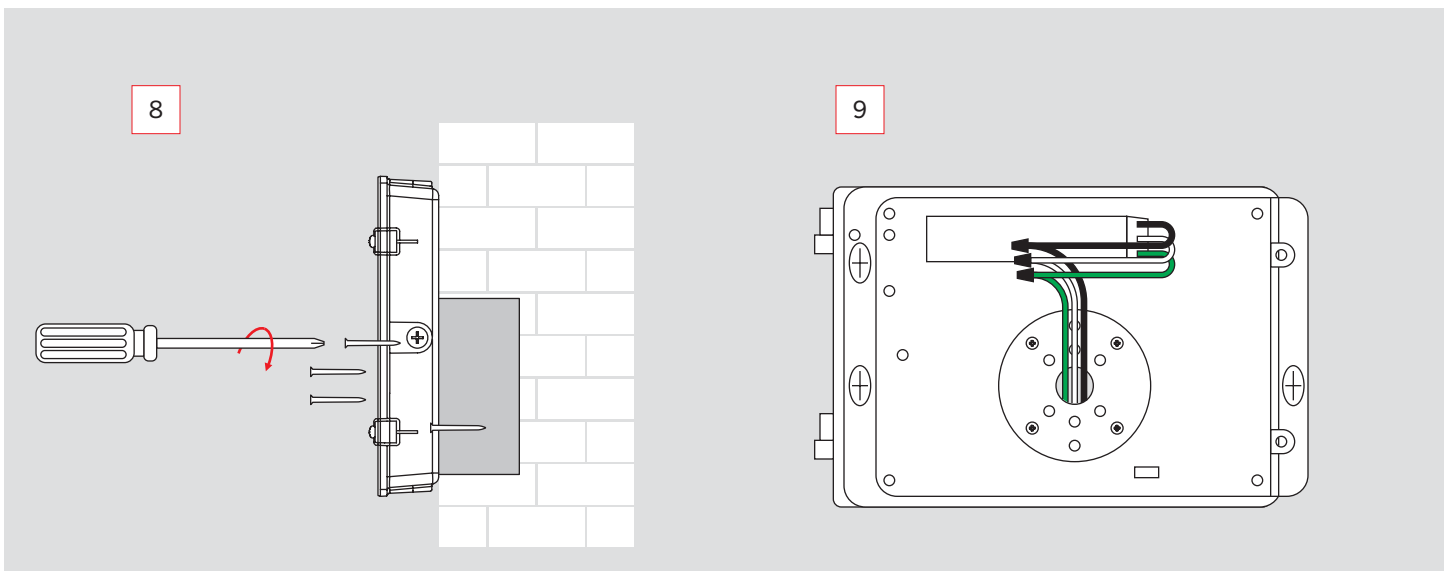
6. Attach an EVA foam pad to the outside of fixture housing where drilling template mates with junction box/building exterior.
7. Thread input power wiring through the 1/2" KO hole on back side of housing.

(see illustrations below)



8. Secure fixture to the building / junction box with suitable screws/hardware for the application, using the holes drilled in step 5. Ensure that EVA foam on back side of fixture is compressed, and that silicone is applied on top of drill/screw locations to maintain watertight operation.
9. Complete wiring to input power wires (see **General Wiring Diagram** on page 2).

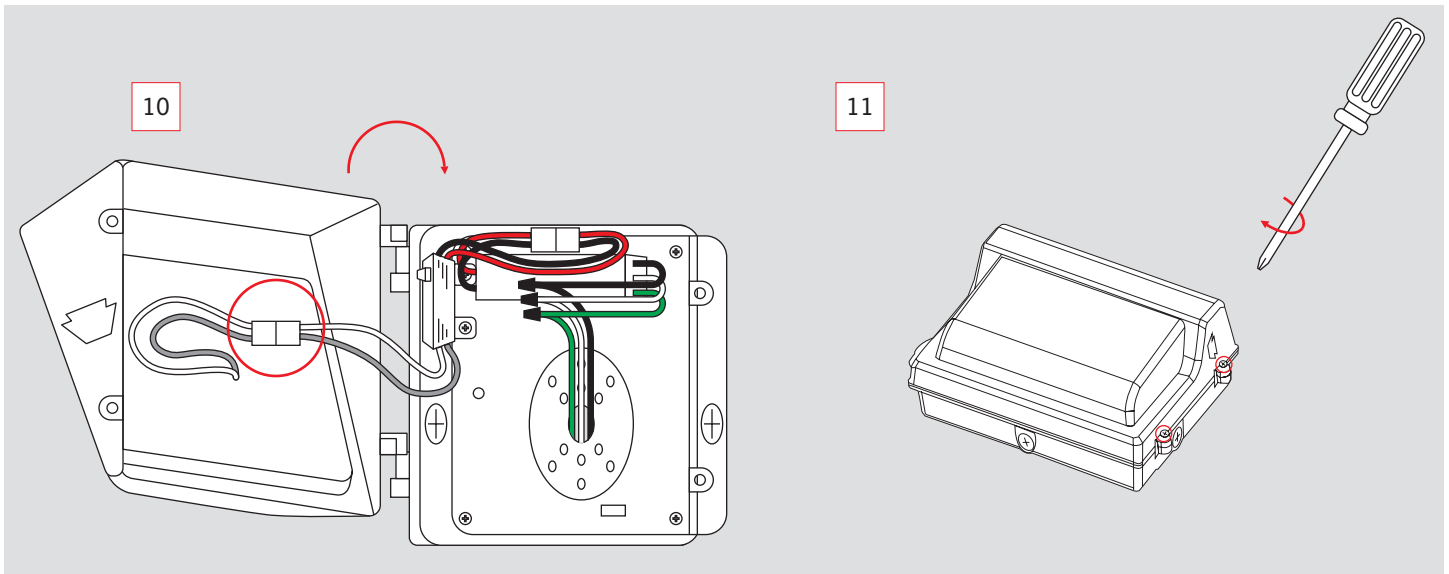
(see illustrations below)



(Installation Instructions continued on next page)

INSTALLATION INSTRUCTIONS (continued)**OPTION 1: Installation via Back Side Wiring of Junction Box (continued)**

10. Re-install the fixture door assembly and connect wiring from LED to power supply using quick-connector.
11. Close the door assembly and tighten the 2 screws. Be sure fixture gasket is seated properly and fully compressed.
(see illustrations below)

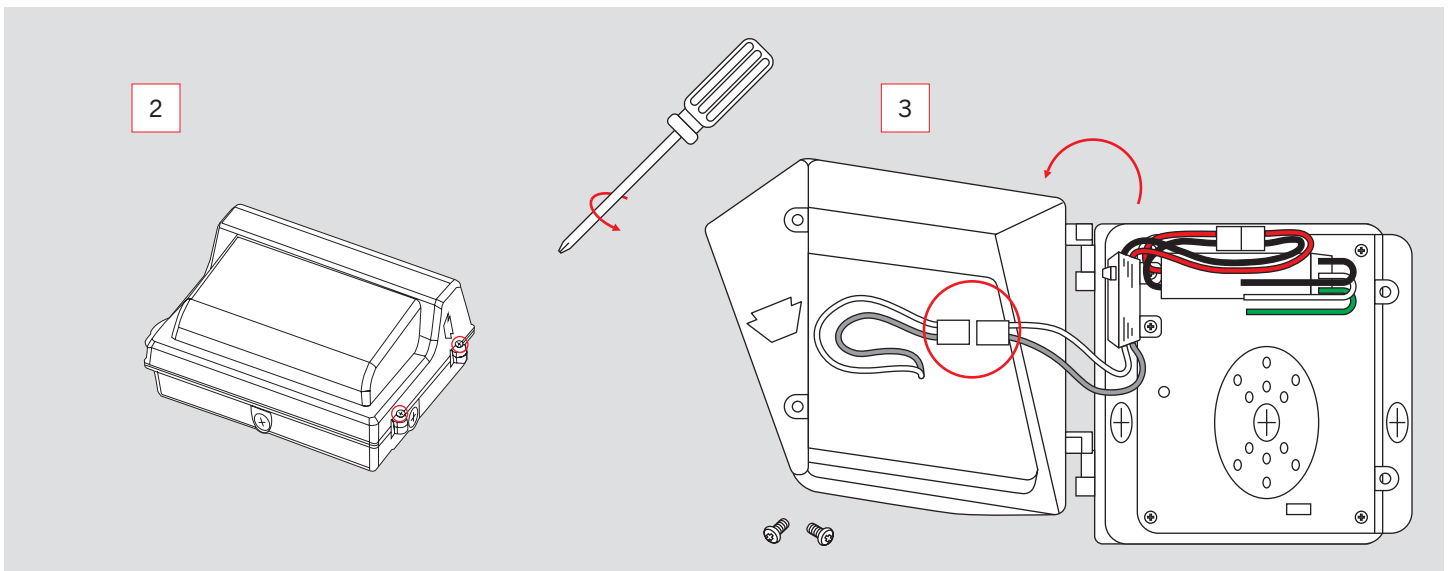


12. Confirm that fixture is securely mounted to building exterior and then restore power to the fixture.

OPTION 2: Installation via Side/Bottom Wiring of 1/2" Threaded Knock-Out

1. Ensure that power is off before beginning installation.
2. Open fixture by loosening 2 screws.
3. Disconnect wiring to LED's quick-connector and remove entire door assembly.

(see illustrations below)

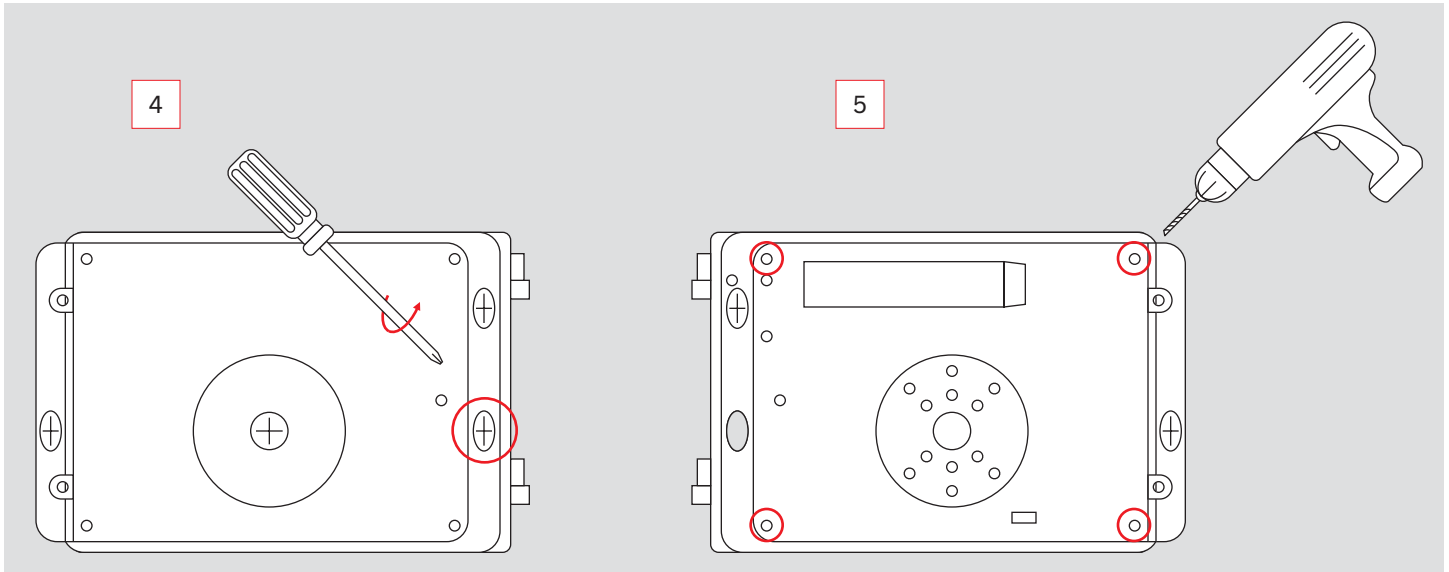


(Installation Instructions continued on next page)

INSTALLATION INSTRUCTIONS (continued)**OPTION 2: Installation via Side/Bottom Wiring of 1/2" Threaded Knock-Out** (continued)

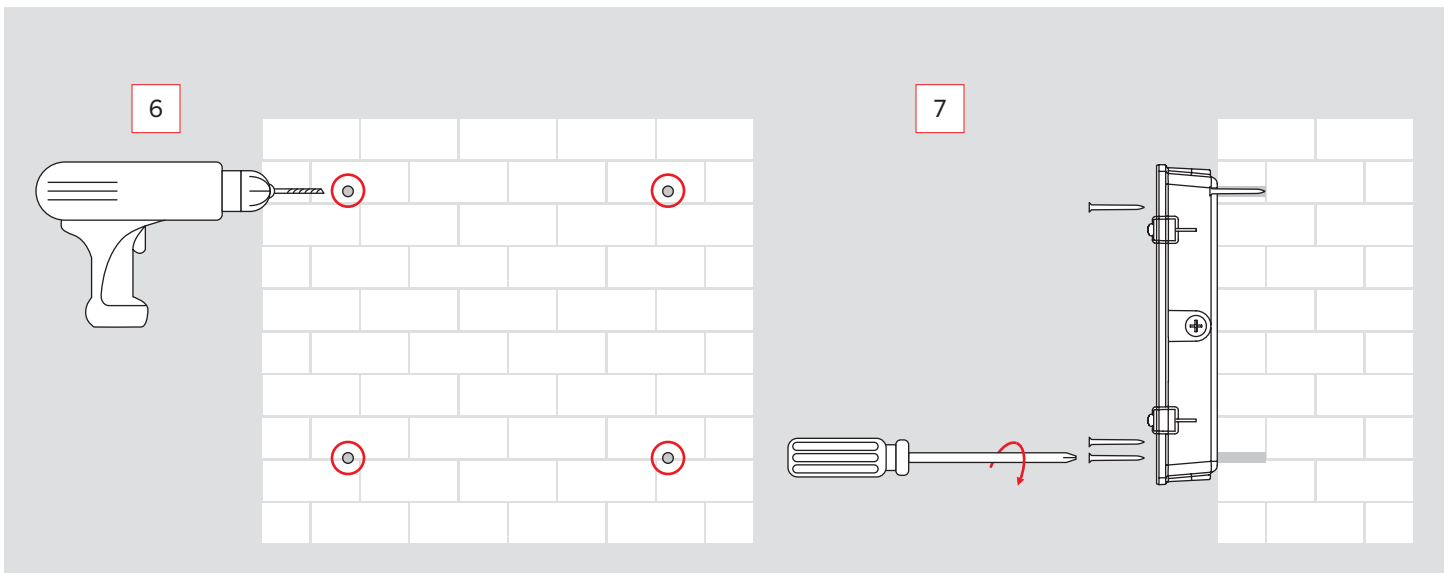
4. Using a screwdriver, remove the 1/2" threaded plug on the side of the junction box drilling template.
5. Drill out the appropriate holes needed for proper lag bolt mounting near the corners of the backplate, based on suitable structural accommodations on site. A minimum of (4) bolts is recommend for proper security.

(see illustrations below)



6. Mark and drill appropriate holes in the building walls for lag bolt mounting.
7. Secure fixture to the wall. Ensure that silicone is applied around bolt locations to maintain watertight operation.

(see illustrations below)

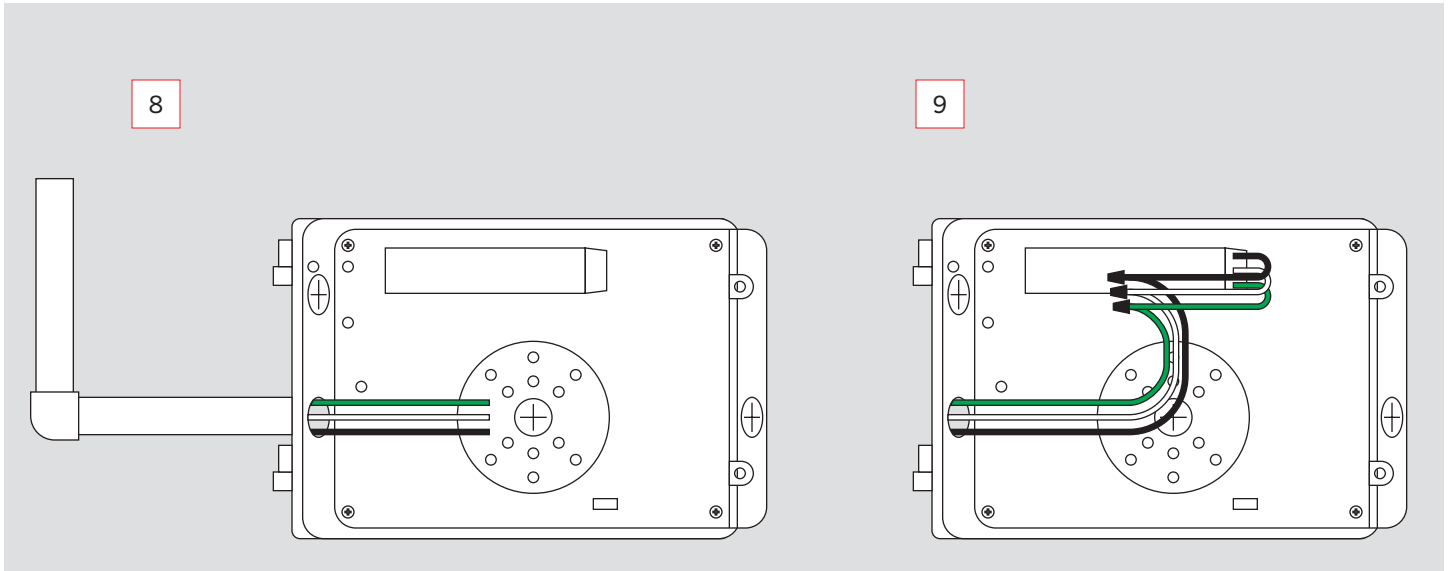


(Installation Instructions continued on next page)

INSTALLATION INSTRUCTIONS (continued)**OPTION 2: Installation via Side/Bottom Wiring of 1/2" Threaded Knock-Out** (continued)

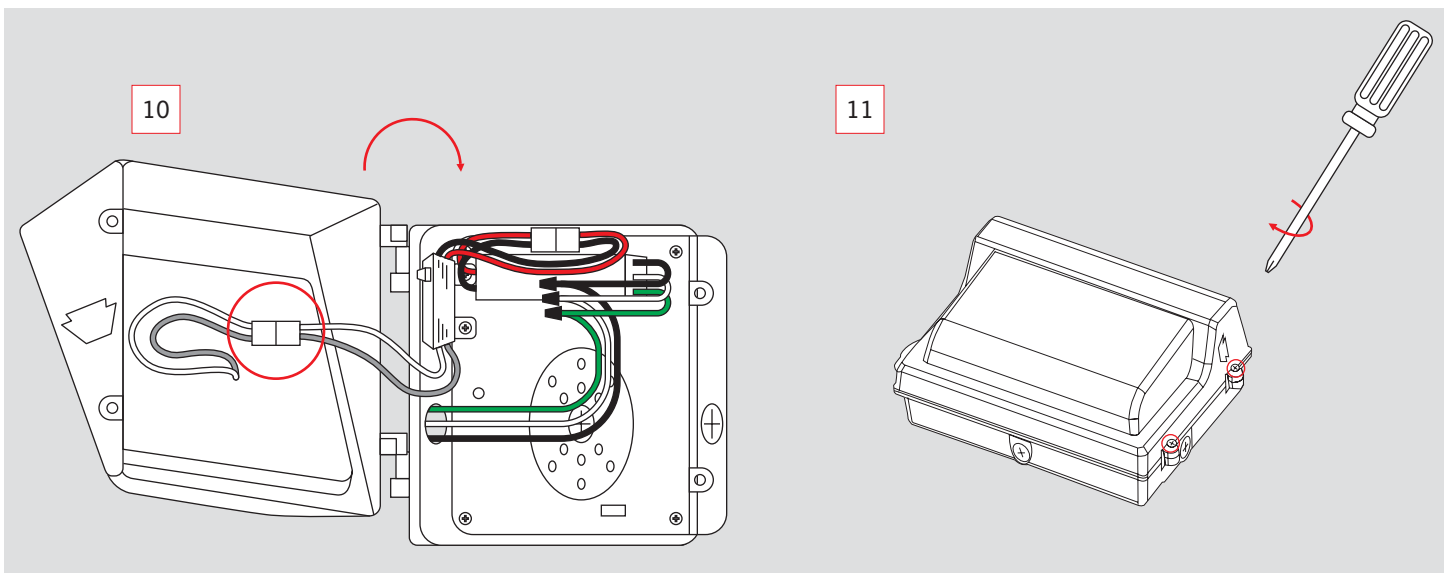
8. Thread input power wiring through the 1/2" KO hole on side of housing.
9. Complete wiring to input power wires (see **General Wiring Diagram** on page 2). Ensure that conduit entry to fixture is watertight, using Teflon tape or silicone sealant.

(see illustrations below)



10. Re-install the fixture door assembly and connect wiring from LED to power supply using quick-connector.
11. Close the door assembly and tighten the 2 screws. Be sure fixture gasket is seated properly and fully compressed.

(see illustrations below)



12. Confirm that fixture is securely mounted to building exterior and then restore power to the fixture.

SAVE THESE INSTRUCTIONS