

# LUXRITE®

## LED CANLESS - SPOTLIGHT

### BOSTON COLLECTION

#### COMMERCIAL DOWNLIGHT - BAFFLED TRIM

4"



LR23948

6"



LR23951

8"



LR23959

10"



LR23960



COLOR SELECTABLE

3000K 4000K 5000K

WATTAGE  
SELECTABLE

3 OPTIONS

HIGH  
OUTPUT

AIR  
TIGHT

DIMMABLE

0-10V

IC  
RATED



120-  
277V

3  
YEARS  
WARRANTY



## LR23948

LED/CDL4HO/3WO/3CCT/B/JB



APERTURE	4"
DISTRIBUTION	FIXED/BAFFLED TRIM
APPLICATION	NEW CONSTRUCTION/REMODEL

### ELECTRICAL

POWER	9W/12W/15W - SELECTABLE
INPUT VOLTS	120-277V
INPUT CURRENT	130mA
FREQUENCY	50/60Hz
DIMMING TYPE	0-10V
DIMMING RANGE	10-100%
FEED WIRE GAUGE	22AWG
BREAKER SPECIFICATION *(15A @120V)	79pcs*

\*Mathematically estimated value. Actual capacity may vary by breaker type and installation environment.

### PHOTOMETRIC

COLOR CCT	3000K/4000K/5000K
CRI	80
LUMEN	810lm/1080lm/1350lm
EFFICACY	90lm/w
BEAM ANGLE	120°

### CERTIFICATIONS & SAFETY

LR23948	UL
WET LOCATION	YES
IC RATED	YES
AIR TIGHT	YES
OPERATING TEMP.	-13°F to 104°F
COST/YR	\$ 1.80
WARRANTY	3 YR

### MATERIAL & APPLICATION

HEAT SINK	ALUMINUM
TRIM	ALUMINUM
LENS	PC
CUTOUT	Ø4.3"
MOUNTING TYPE	RECESSED
AREA OF APPLICATION	RESIDENTIAL, COMMERCIAL
CEILING TYPE	DRYWALL, WOOD

### DRIVER

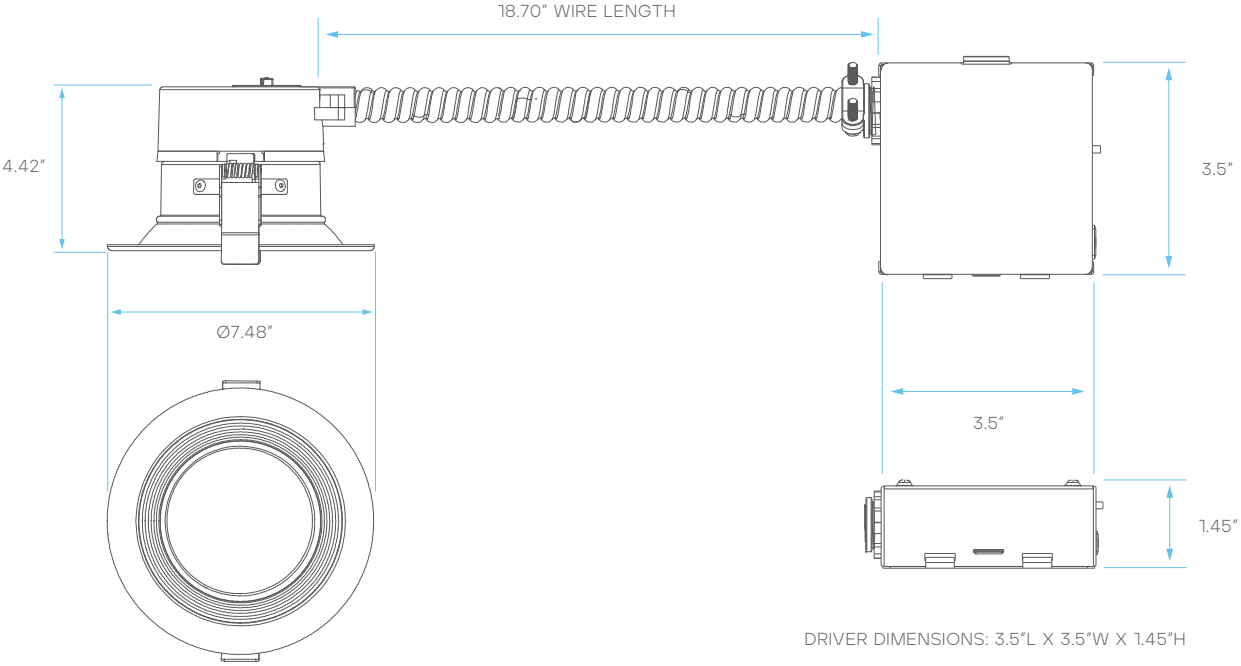
	POWER	INPUT VOLTS	INPUT CURRENT	FREQUENCY	INPUT POWER	OUTPUT VOLTAGE	DIMENSIONS	KNOCKOUTS
INCLUDED DRIVER	9W/12W/15W	120-277V	130mA	50/60Hz	15W max	36V DC	3.5"L X 3.5"W X 1.45"H	2

MODEL	DESCRIPTION	EM POWER	INPUT VOLTS	INPUT CURRENT	FREQUENCY	INPUT POWER	OUTPUT VOLTAGE	RECHARGE TIME	EMERGENCY TIME
LR35126**	LED/EMR/15W/AC/SF/E	15	100-347V	100mA	50/60Hz	12W max	170V DC	24HR	90MINS

\*AMBIENT TEMPERATURE: 41°F ~ 122°F  
\*\*SOLD SEPARATELY

## DIMENSIONS

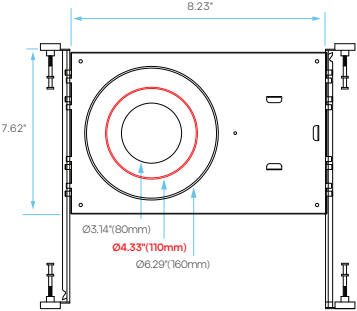
CUTOUT: Ø4.3"



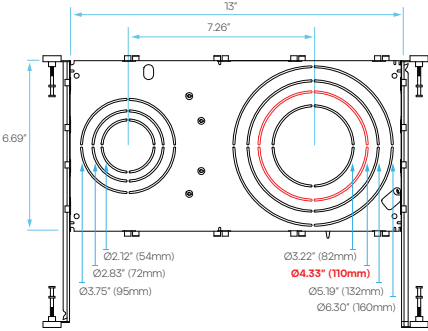
## PLATE COMPATIBILITY\*

\*SOLD SEPARATELY

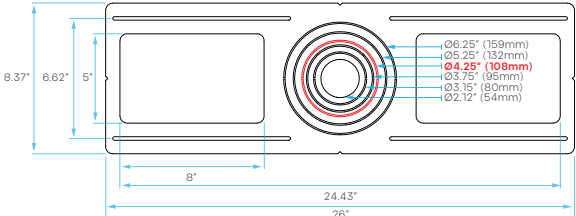
LR41002  
KNOCKOUT  
1



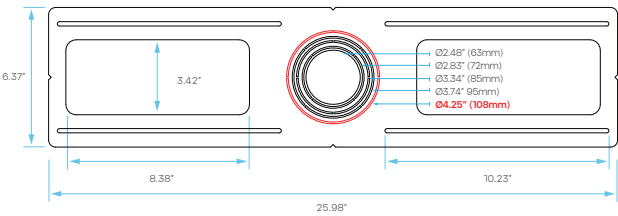
LR41010  
KNOCKOUT  
R1



LR41006  
KNOCKOUT  
3



LR41011  
KNOCKOUT  
4



## LR23951

LED/CDL6HO/3WO/3CCT/B/JB



APERTURE	6"
DISTRIBUTION	FIXED/BAFFLED TRIM
APPLICATION	NEW CONSTRUCTION/REMODEL

### ELECTRICAL

POWER	12W/16W/20W - SELECTABLE
INPUT VOLTS	120-277V
INPUT CURRENT	170mA
FREQUENCY	50/60Hz
DIMMING TYPE	0-10V
DIMMING RANGE	10-100%
FEED WIRE GAUGE	22AWG
BREAKER SPECIFICATION *(15A @120V)	59pcs*

\*Mathematically estimated value. Actual capacity may vary by breaker type and installation environment.

### PHOTOMETRIC

COLOR CCT	3000K/4000K/5000K
CRI	80
LUMEN	1140lm/1520lm/1900lm
EFFICACY	95lm/w
BEAM ANGLE	120°

### CERTIFICATIONS & SAFETY

LR23951	UL
WET LOCATION	YES
IC RATED	YES
AIR TIGHT	YES
OPERATING TEMP.	-13°F to 104°F
COST/YR	\$ 2.40
WARRANTY	3 YR

### MATERIAL & APPLICATION

HEAT SINK	ALUMINUM
TRIM	ALUMINUM
LENS	PC
CUTOUT	Ø6.3"
MOUNTING TYPE	RECESSED
AREA OF APPLICATION	RESIDENTIAL, COMMERCIAL
CEILING TYPE	DRYWALL, WOOD

### DRIVER

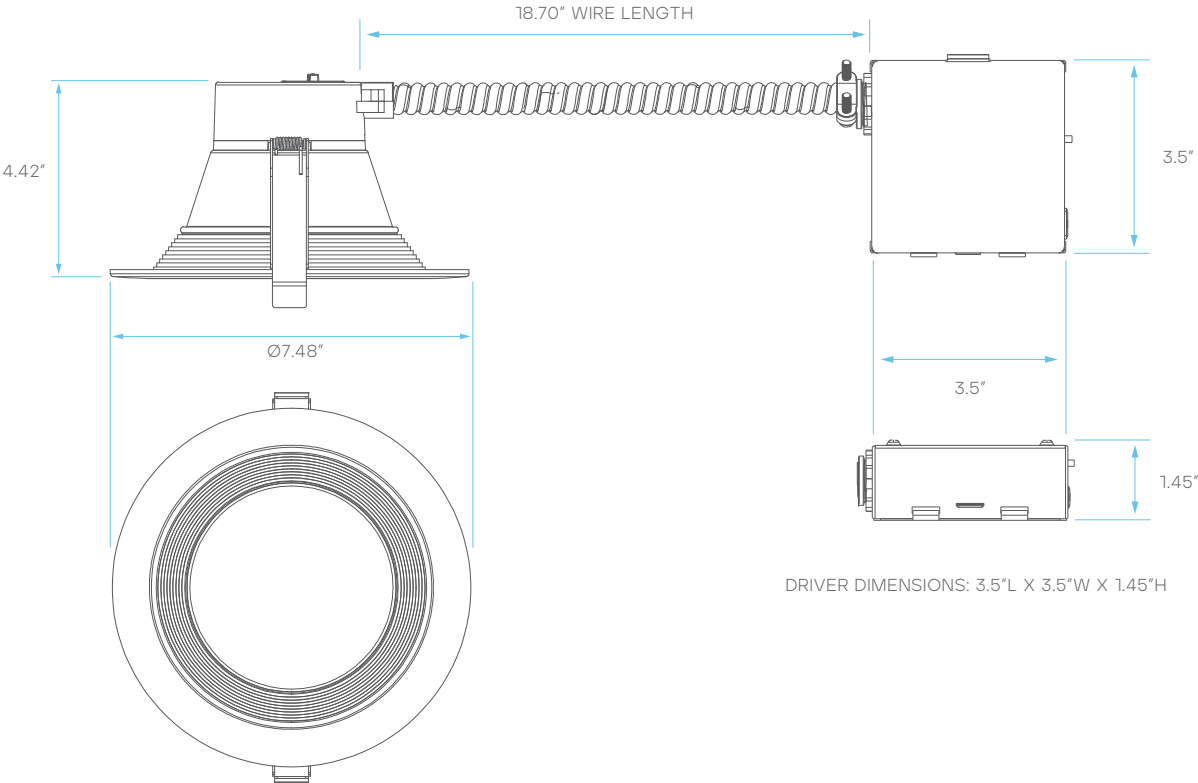
	POWER	INPUT VOLTS	INPUT CURRENT	FREQUENCY	INPUT POWER	OUTPUT VOLTAGE	DIMENSIONS	KNOCKOUTS
INCLUDED DRIVER	12W/16W/20W	120-277V	170mA	50/60Hz	20W max	36V DC	3.5"L X 3.5"W X 1.45"H	2

MODEL	DESCRIPTION	EM POWER	INPUT VOLTS	INPUT CURRENT	FREQUENCY	INPUT POWER	OUTPUT VOLTAGE	RECHARGE TIME	EMERGENCY TIME
LR35126**	LED/EMR/15W/AC/SF/E	15	100-347V	100mA	50/60Hz	12W max	170V DC	24HR	90MINS

\*AMBIENT TEMPERATURE: 41°F ~ 122°F  
\*\*SOLD SEPARATELY

## DIMENSIONS

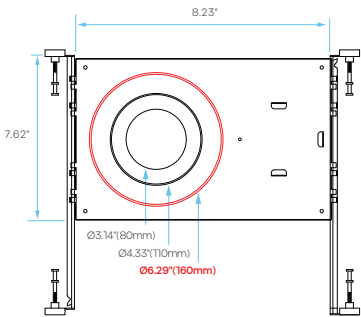
CUTOUT: Ø6.3"



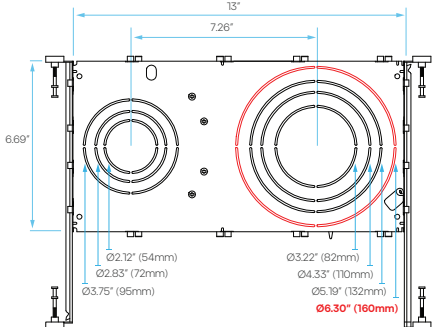
## PLATE COMPATIBILITY\*

\*SOLD SEPARATELY

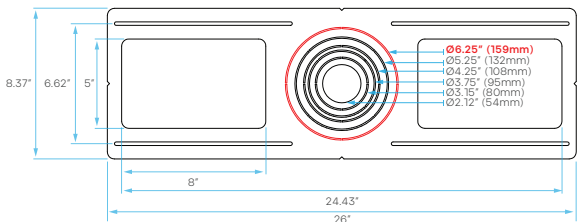
**LR41002  
KNOCKOUT  
2**



**LR41010  
KNOCKOUT  
R3**



**LR41006  
KNOCKOUT  
5**



## LR23959

LED/CDL8HO/3WO/3CCT/B/JB



APERTURE	8"
DISTRIBUTION	FIXED/BAFFLED TRIM
APPLICATION	NEW CONSTRUCTION/REMODEL

### ELECTRICAL

POWER	16W/21W/27W - SELECTABLE
INPUT VOLTS	120-277V
INPUT CURRENT	230mA
FREQUENCY	50/60Hz
DIMMING TYPE	0-10V
DIMMING RANGE	10-100%
FEED WIRE GAUGE	22AWG
BREAKER SPECIFICATION *(15A @120V)	44pcs*

\*Mathematically estimated value. Actual capacity may vary by breaker type and installation environment.

### PHOTOMETRIC

COLOR CCT	3000K/4000K/5000K
CRI	80
LUMEN	1600lm/2100lm/2700lm
EFFICACY	100lm/w
BEAM ANGLE	120°

### CERTIFICATIONS & SAFETY

LR23959	UL
WET LOCATION	YES
IC RATED	YES
AIR TIGHT	YES
OPERATING TEMP.	-13°F to 104°F
COST/YR	\$ 3.25
WARRANTY	3 YR

### MATERIAL & APPLICATION

HEAT SINK	ALUMINUM
TRIM	ALUMINUM
LENS	PC
CUTOUT	Ø7.87"
MOUNTING TYPE	RECESSED
AREA OF APPLICATION	RESIDENTIAL, COMMERCIAL
CEILING TYPE	DRYWALL, WOOD

### DRIVER

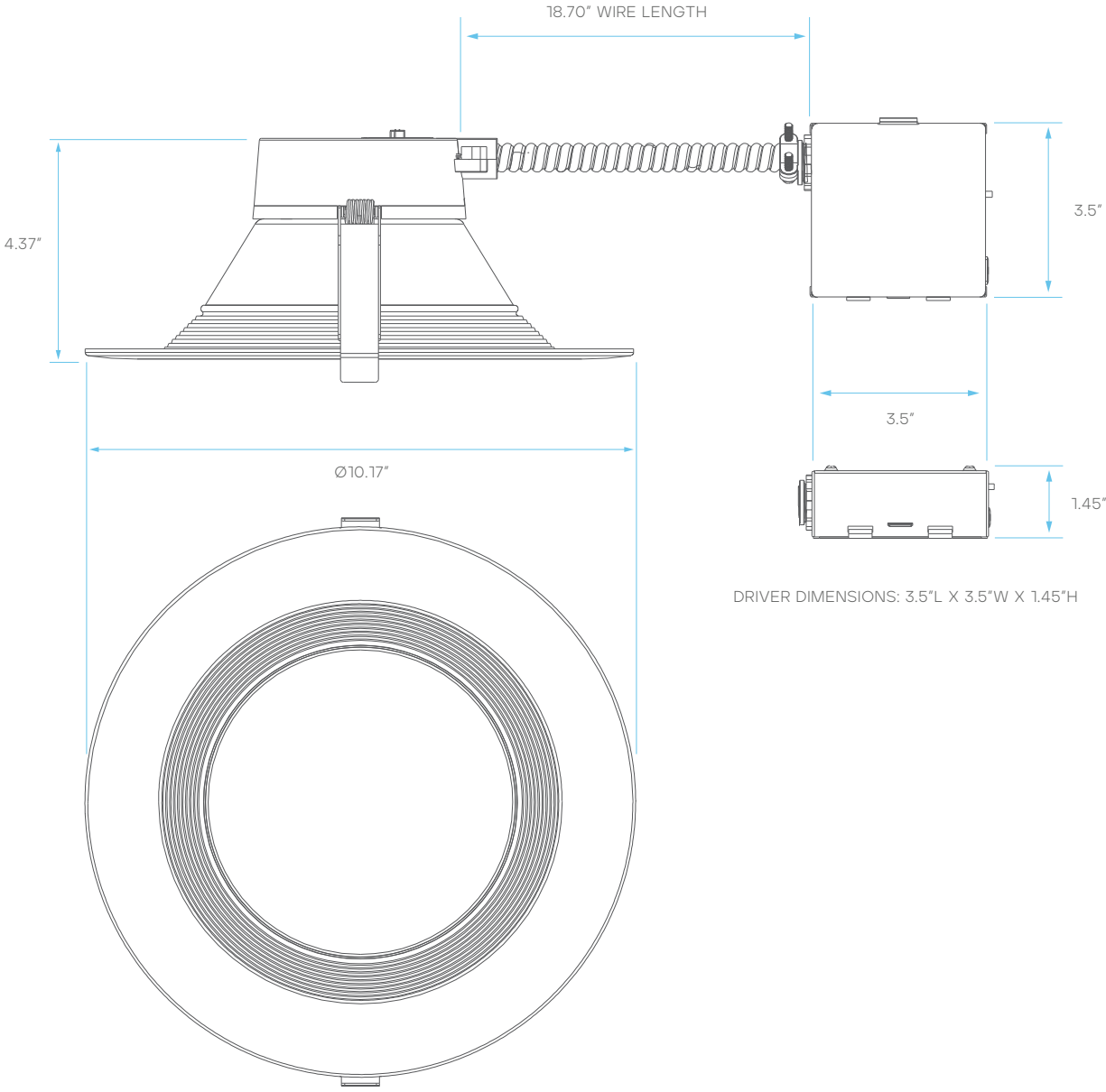
	POWER	INPUT VOLTS	INPUT CURRENT	FREQUENCY	INPUT POWER	OUTPUT VOLTAGE	DIMENSIONS	KNOCKOUTS
INCLUDED DRIVER	16W/21W/27W	120-277V	230mA	50/60Hz	27W max	36V DC	3.5"L X 3.5"W X 1.45"H	2

MODEL	DESCRIPTION	EM POWER	INPUT VOLTS	INPUT CURRENT	FREQUENCY	INPUT POWER	OUTPUT VOLTAGE	RECHARGE TIME	EMERGENCY TIME
LR35126**	LED/EMR/15W/AC/SF/E	15	100-347V	100mA	50/60Hz	12W max	170V DC	24HR	90MINS

\*AMBIENT TEMPERATURE: 41°F ~ 122°F  
\*\*SOLD SEPARATELY

## DIMENSIONS

CUTOUT: Ø7.87"



DRIVER DIMENSIONS: 3.5"L X 3.5"W X 1.45"H

## LR23960

LED/CDL10/3WO/3CCT/B/JB



APERTURE	10"
DISTRIBUTION	FIXED/BAFFLED TRIM
APPLICATION	NEW CONSTRUCTION/REMODEL

### ELECTRICAL

POWER	22W/29W/37.5W - SELECTABLE
INPUT VOLTS	120-277V
INPUT CURRENT	310mA
FREQUENCY	50/60Hz
DIMMING TYPE	0-10V
DIMMING RANGE	10-100%
FEED WIRE GAUGE	22AWG
BREAKER SPECIFICATION *(15A @120V)	31pcs*

\*Mathematically estimated value. Actual capacity may vary by breaker type and installation environment.

### PHOTOMETRIC

COLOR CCT	3000K/4000K/5000K
CRI	80
LUMEN	2300lm/3000lm/3700lm
EFFICACY	100lm/w
BEAM ANGLE	120°

### CERTIFICATIONS & SAFETY

LR23960	UL
WET LOCATION	YES
IC RATED	YES
AIR TIGHT	YES
OPERATING TEMP.	-13°F to 104°F
COST/YR	\$ 4.51
WARRANTY	3 YR

### MATERIAL & APPLICATION

HEAT SINK	ALUMINUM
TRIM	ALUMINUM
LENS	PC
CUTOUT	Ø9.84"
MOUNTING TYPE	RECESSED
AREA OF APPLICATION	RESIDENTIAL, COMMERCIAL
CEILING TYPE	DRYWALL, WOOD

### DRIVER

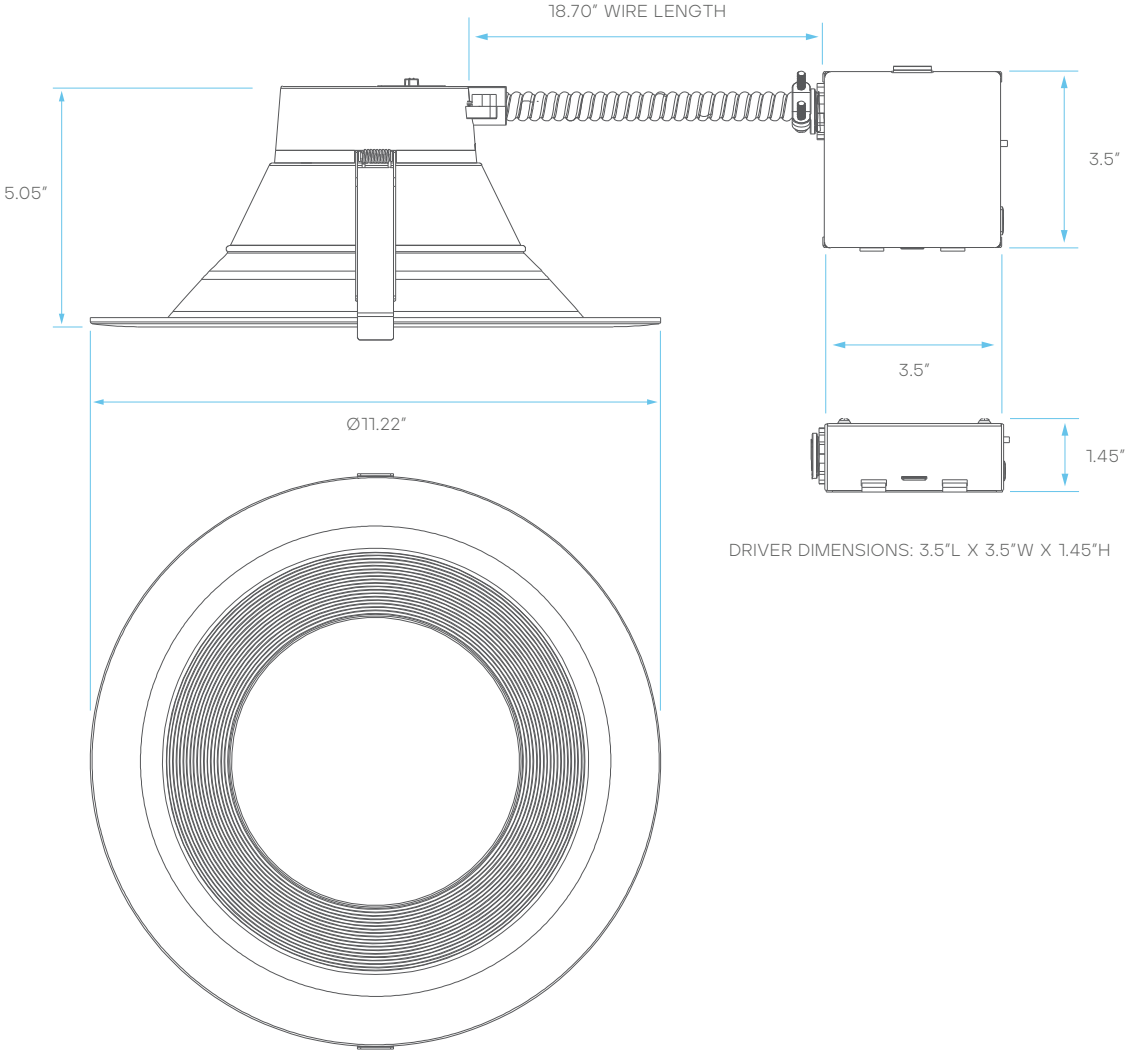
	POWER	INPUT VOLTS	INPUT CURRENT	FREQUENCY	INPUT POWER	OUTPUT VOLTAGE	DIMENSIONS	KNOCKOUTS
INCLUDED DRIVER	22W/29W/37.5W	120-277V	310mA	50/60Hz	37.5W max	36V DC	3.5"L X 3.5"W X 1.45"H	2

MODEL	DESCRIPTION	EM POWER	INPUT VOLTS	INPUT CURRENT	FREQUENCY	INPUT POWER	OUTPUT VOLTAGE	RECHARGE TIME	EMERGENCY TIME
LR35126**	LED/EMR/15W/AC/SF/E	15	100-347V	100mA	50/60Hz	12W max	170V DC	24HR	90MINS

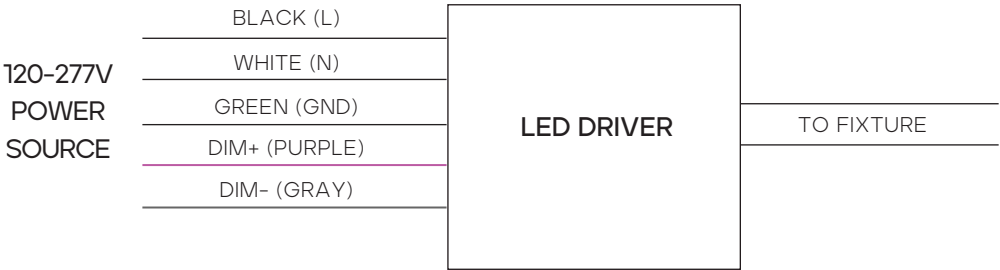
\*AMBIENT TEMPERATURE: 41°F ~ 122°F  
\*\*SOLD SEPARATELY

## DIMENSIONS

CUTOUT: Ø9.84"



## WIRING DIAGRAM



## SUGGESTED COMPATIBLE DIMMER\*

### TRIAC DIMMING\*

LUTRON	CTCL-153P
	DVCL-153PDH
	DVCL-153P
LEVITON	6672
	6674
PASS & SEYMOUR	HCL453PTCCCV6

### 0-10V DIMMING\*

LUTRON	DIVA - DVTV
	DIVA - NFTV
	NOVA T - NTFTV
LEVITON	ILLUMATECH - IP7
LIGHTOLIER CONTROLS	ZP600FAM120
PHILIPS	SR1200ZTUNV

\*Dimmer performance may vary based on load, wiring, and installation conditions. Inclusion on this chart does not guarantee compatibility for every installation, and omission does not indicate incompatibility. Refer to the dimmer manufacturer's installation instructions and verify minimum load requirements to avoid field issues.

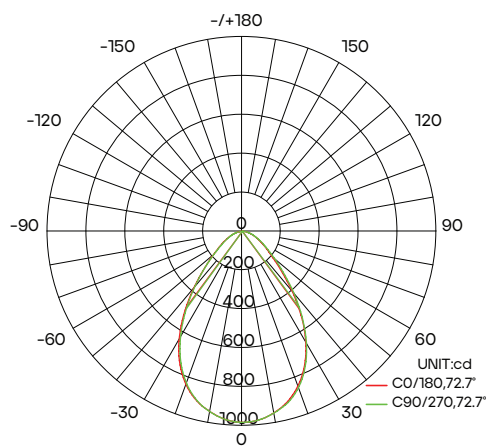
## PACKAGING

MODEL	STYLE	INNER BOX DIMENSIONS	MASTER CARTON DIMENSIONS	CASE
LR23948	INNER BOX + MASTER CARTON	7.48" X 6.49" X 6.29"	20.28" X 15.75" X 13.39"	12
LR23951	INNER BOX + MASTER CARTON	8.26" X 5.11" X 7.87"	26.57" X 17.13" X 8.27"	10
LR23959	INNER BOX + MASTER CARTON	10.23" X 4.92" X 10.43"	25.39" X 21.06" X 10.83"	10
LR23960	INNER BOX + MASTER CARTON	12.20" X 5.90" X 11.49"	31.10" X 12.99" X 12.40"	5

## LuxiFlow™ PHOTOMETRICS

Luxrite® Luxiflow® tool is for informational purposes only, it is not intended to provide lighting or electrical advise.

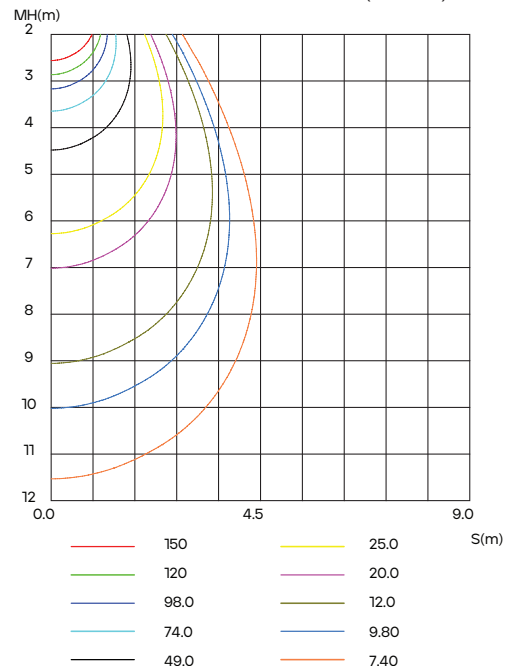
### LUMINOUS INTENSITY DISTRIBUTION DIAGRAM



AVERAGE BEAM ANGLE(50%): 72.7 DEG

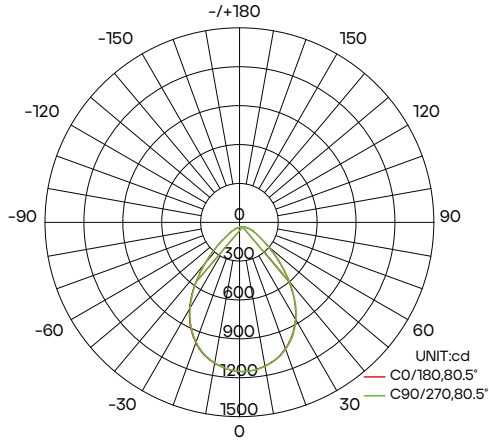
\*DIAGRAM SHOWING LR23948 AT 2700K - 15W

### C0 PLANE ISOLUX DIAGRAM (UNIT:lx)



Luxrite® Luxiflow® tool is for informational purposes only, it is not intended to provide lighting or electrical advise.

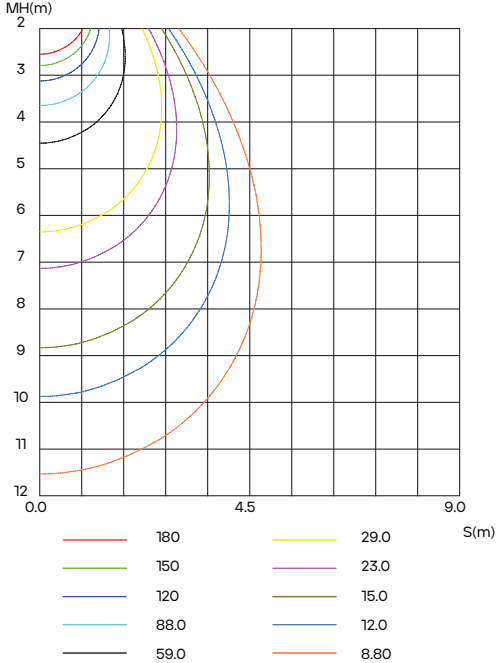
LUMINOUS INTENSITY DISTRIBUTION DIAGRAM



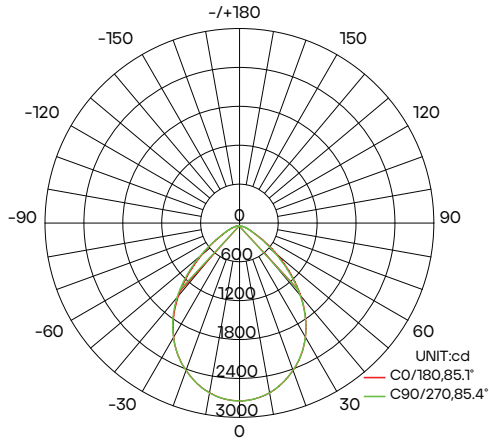
AVERAGE BEAM ANGLE(50%): 80.5 DEG

\*DIAGRAM SHOWING LR23951 AT 2700K - 20W

C0 PLANE ISOLUX DIAGRAM (UNIT:lx)



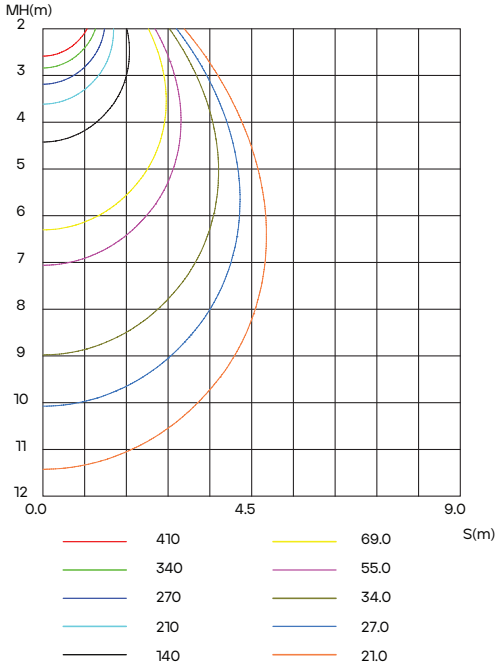
LUMINOUS INTENSITY DISTRIBUTION DIAGRAM



AVERAGE BEAM ANGLE(50%): 85.3 DEG

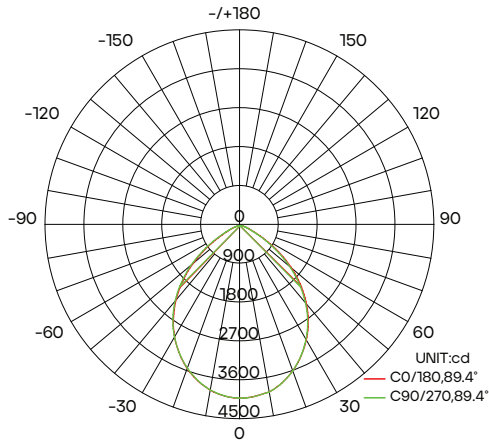
\*DIAGRAM SHOWING LR23959 AT 2700K - 27W

C0 PLANE ISOLUX DIAGRAM (UNIT:lx)



Luxrite® Luxiflow® tool is for informational purposes only, it is not intended to provide lighting or electrical advice.

LUMINOUS INTENSITY DISTRIBUTION DIAGRAM



AVERAGE BEAM ANGLE(50%): 89.4 DEG

\*DIAGRAM SHOWING LR23960 AT 2700K - 37.5W

C0 PLANE ISOLUX DIAGRAM (UNIT:lx)

