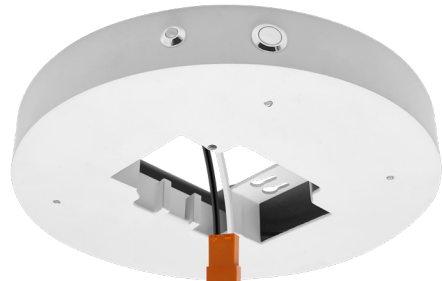
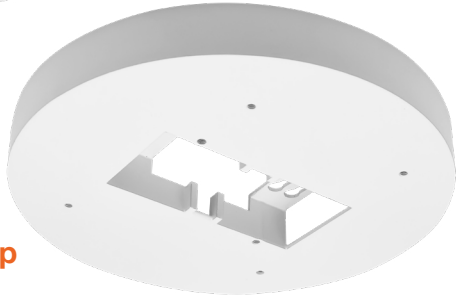


# SlimLine Surface Mount Emergency Empty & Emergency Modules



**7" Emergency Backup**



**7" Empty Backup Module**



**12" Emergency Backup**



**12" Empty Backup Module**

### Detail Specifications:

- Finishes: White, Custom Available
- IP Rating: Wet Location
- Operating Temperature: 32° - 114° F
- Average life (L70) of 50,000 hours

### Applications:

- General Recessed Lighting
- Residential & Multifamily
- Office and Meeting Rooms
- Education, Healthcare, Retail, Hospitalit

### Product Information:

- 24 Hour recharge time
- Instant-on
- Test button to verify emergency mode
- 90 minute emergency mode with compatible fixtures
- Lithium-ion battery backup
- Full brightness in backup power
- Works with triac and 120-277V 0-10V dimmable models

### Mounting & Installation:

- 30/40 Junction Box (including pancake j-box)
- Surface mount bracket included

### Certifications:

- ETL Listed for USA and CA
- CA Title 24 JA8-2022 CEC Listed
- 5 Year Limited Warranty
- FCC CFR 47, GCC Part 15, Subpart B:2017
- IC Rated and ASTM-E283 Air-Tight
- Complies with UL 263, ASTM E119, CAN ULC S101

### Battery Backup Models

#### SLDSKR-7-EMB-UNV

Compatible with:  
LED-SLDSKR-7-15W-5CCT-WH  
LED-SLDSKR-7-15W-5CCT-WH-0/10V

#### SLDSKR-12-EMB-UNV

Compatible with:  
LED-SLDSKR-12-22W-5CCT-WH,  
LED-SLDSKR-12-24W-5CCT-WH,  
LED-SLDSKR-12-22W-5CCT-WH-0/10V

### Empty Housing Models

#### SLDSKR-7-EMB-EMPTY-UNV

Compatible with:  
LED-SLDSKR-7-15W-5CCT-WH  
LED-SLDSKR-7-15W-5CCT-WH-0/10V

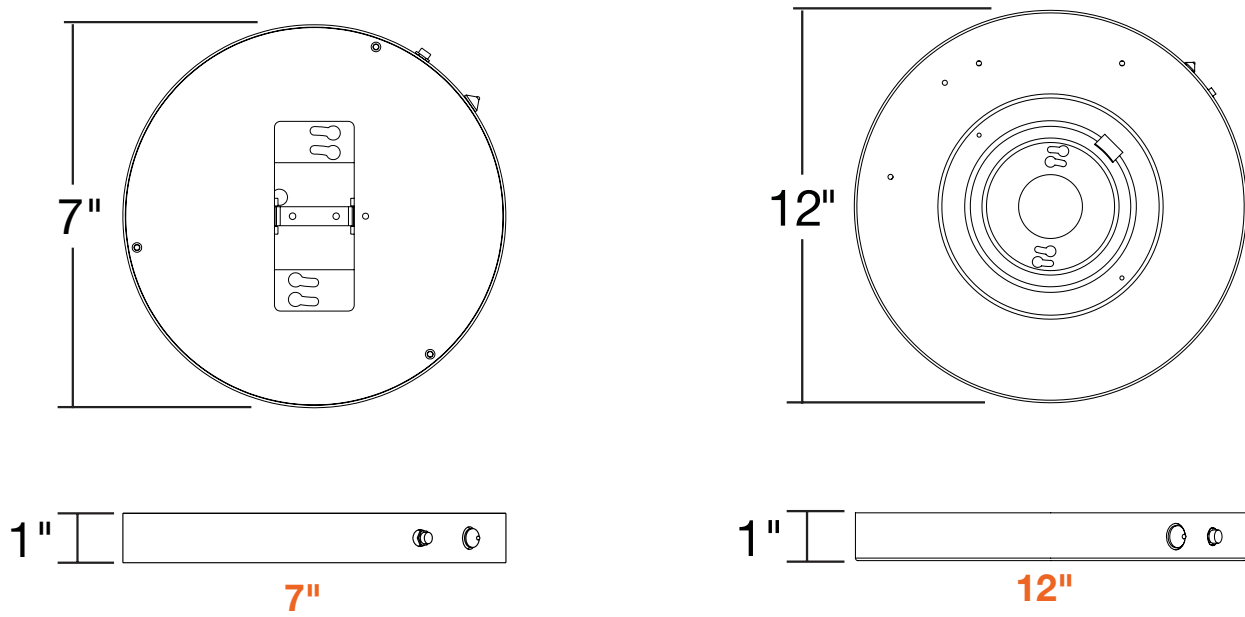
#### SLDSKR-12-EMB-EMPTY-UNV

Compatible with:  
LED-SLDSKR-12-22W-5CCT-WH  
LED-SLDSKR-12-24W-5CCT-WH  
LED-SLDSKR-12-22W-5CCT-WH-0/10V

*Specs and model numbers are subject to change with or without notice.*

# 7" / 12" Slimline Emergency Backup & Empty Module

## DIMENSIONS



## FEATURES

