

This sleek architectural fixture combines an ultra-compact design with outstanding performance. At only 5" x 5" in width and height and a 2" profile depth, this unit is the smallest emergency wallpack available. The contoured prismatic lens coupled with LED optics provides uniform elongated light output for your path of egress. This fixture provides exceptional light output and will minimize fixture counts in most applications.

Model: _____ Date: _____
Accessories: _____
Job Name: _____ Type: _____

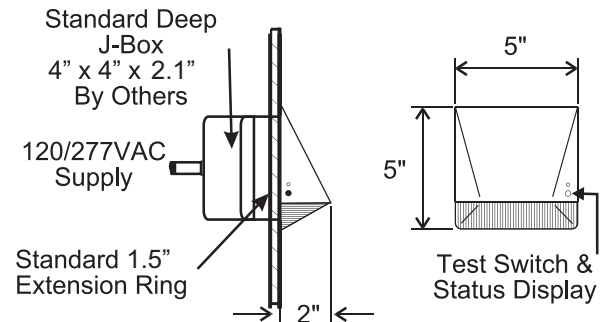
FEATURES & BENEFITS

- 40' - 45' On-center spacing
- Ultra-compact, low-profile, architectural design
- 7W or 10.5W Luxeon LED options
- Optional PathSafe security/night lighting (SEC) allows the fixture to be used as an emergency lighting and as security/night lighting fixture
- Optional Guardian (G2) Self-test/Self-diagnostics available
- Meets Build America Buy America (BABA) requirements



SPECIFICATIONS

Illumination: 7W or 10.5W Luxeon LED options
Housing: Aluminum housing
Input: 120/277VAC Dual primary, 60Hz
Battery: Maintenance-free NiMH battery
Run Time: ETL Listed 90 minute emergency run time, 24 hour recharge time
Electrical: Low voltage disconnect eliminates deep discharge. Brownout, overload and short-circuit protection
Mounting: Wall mounted, requires the rough in of a standard deep J-box with a 1.5" extension ring (supplied by others)
Finishes: White
Options: DR = Damp Location Rated
 G2 = Self-test/Self-diagnostics
 SEC120 = Security Lighting/Night Lighting 120VAC
 SEC277 = Security Lighting/Night Lighting 277VAC
Certifications: ETL Listed, meets or exceeds NEC requirements and NFPA 101
Warranty: Any component that fails due to a manufacturing defect is guaranteed for five years with a separate five year prorated warranty on the battery. The warranty does not cover physical damage, abuse or instances of uncontrollable natural forces. See the full Exitronix warranty document for detailed information and product registration instructions.



ORDERING INFORMATION Example: NF2-WB-10L-WH-G2-SEC120

Series	Power Source	LED Wattage	Finish	Options (Factory Installed)
NF2	WB = With Battery	7L = (2) 3.5 Watt LEDs 10L = (3) 3.5 Watt LEDs	CC ¹ = Custom Color WH = White	DR = Damp Location Rated G2 = Self-test/Self-diagnostics SEC120 = Security Lighting/Night Lighting 120VAC SEC277 = Security Lighting/Night Lighting 277VAC

Notes
¹ Consult factory

CONSTRUCTION

The NF2 has a precision, low-profile design with an all-aluminum housing design. Heat and impact-resistant polycarbonate prismatic lens resists discoloration.

ILLUMINATION

Fixtures are supplied with high powered Luxeon LEDs offering 7 or 10.5 Watts of light output. Optical lenses on the LED module combined with the prismatic polycarbonate lens produce an optimized elongated pattern of light throughout the path of egress. The high-performance LEDs have an expected life over 50,000 hours with normal use.

Lamps are connected in parallel – if one lamp fails, the balance of the lamps will continue to operate.

ELECTRICAL

Input

120/277VAC, 50/60Hz

Nickel Cadmium Battery – NiCad (Standard)

Exitronix NiCad batteries are maintenance-free.

Nickel Metal Hydride Battery – NiMH (Standard with G2/SEC options)

Exitronix NiMH batteries are maintenance-free.

Emergency

The NF2 will operate for a minimum of 90 minutes during a loss of power with a 24 hour minimum recharge time for the battery. The power supply delivers a regulated current and voltage to LED lamps to optimize lamp life. A momentary test switch and LED charge indicator are included.

Brownout Circuit

The brownout circuit monitors the line voltage. As the line voltage sags and can no longer provide adequate voltage, the emergency lighting circuit will turn on to supply power to the emergency lamps for 90 minutes until the line voltage is restored.

Low Voltage Disconnect

Low Voltage Disconnect (LVD) measures the battery terminal voltage and if it should fall below a preset voltage threshold, the LVD will disconnect the load. When the battery is recharging and voltage is raised above another preset threshold the load is automatically reconnected.

Solid-State Transfer

The circuit features Solid-state switching for emergency lamps, eliminating concerns of damaged contact or mechanical failures associated with relays. The switching circuit detects a loss of line voltage and automatically switches to emergency mode.

Overload and Short Circuit Protection

The overload monitoring system in the DC circuit disconnects the lamp load from the battery should excessive wattage demands be made.

INSTALLATION

This NF2 emergency unit is traditionally wall mounted and requires the rough in of a standard deep J-box with a 1.5" extension ring supplied by others.

OPTIONS

Guardian Self-Test/Self-Diagnostics (Option: G2)

The Guardian circuit continuously monitors the operating condition of the AC power, battery supply voltage, emergency lamp continuity and charging circuit.

The purpose of this option is to provide visual signaling in response to a possible fault. If a failure is detected, visual status will occur immediately via the CHARGER LED and/or the BATTERY FAULT LED. The LEDs will stay illuminated until the fault is corrected.

The Guardian circuit also monitors the transfer circuit and performs automatic code compliant testing. The Guardian circuit will perform a 30 second discharge and self-test every 28-30 days. A 90 minute discharge and self-test is performed every six months.

Damp Location Rated (Option: DR)

Damp Location Rated fixture that is normally or periodically subject to condensation of moisture in, on or adjacent to, and includes partially protected locations.

CONFORMANCE TO CODES & STANDARDS

The NF2 Series is ETL Listed for Damp Locations and meets or exceeds the following: UL 924, NEC requirements and NFPA 101. Meets Build America Buy America requirements.

ON-CENTER SPACING (Multiple units mounted at a 8.5 foot height)

Model	3' Path, 6' Corridor	6' Path, 6' Corridor	10' Path, 10' Corridor
7L	40'	35'	25'
10L	45'	40'	35'

Barron assumes no responsibility for local requirements or specific project variables. This is a guideline to be used as a design aid, not as a guarantee of any code compliance.

