

LUXRITE®

LED CANLESS - SPOTLIGHT

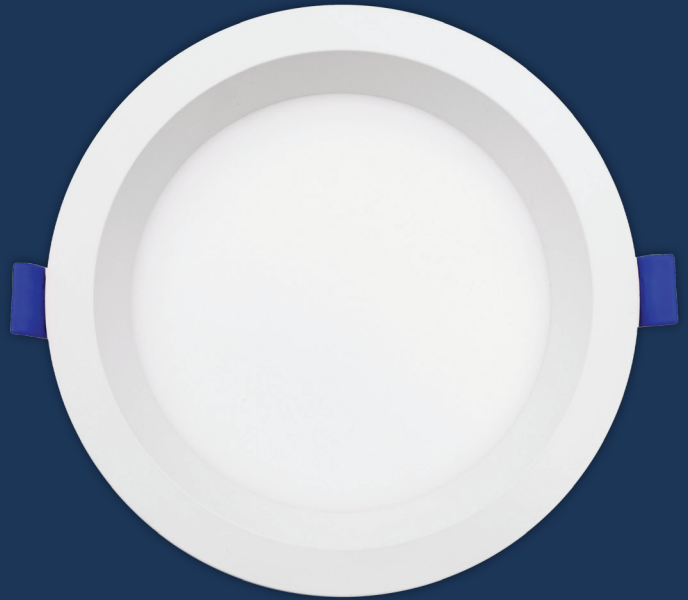
UNIVERSAL DIM TO WARM

SWITCHABLE STANDARD DIMMING OR
DIM-TO-WARM (ANY CCT -> 2200K)



LR22832

4"



LR22836

6"



LR22832

LEDMP4/2WO/5CCT/UDTW/RD/WT/UNV/DD



APERTURE	4"
DISTRIBUTION	FIXED
APPLICATION	NEW CONSTRUCTION/REMODEL



ELECTRICAL

POWER	8W/11W - SELECTABLE
INPUT VOLTS	120-277V
INPUT CURRENT	92mA
FREQUENCY	60Hz
DIMMING TYPE	TRIAC/0-10V
DIMMING RANGE	10-100%
FEED WIRE GAUGE	18AWG
BREAKER SPECIFICATION (15A @120V)	108pcs*

*Mathematically estimated value. Actual capacity may vary by breaker type and installation environment.

PHOTOMETRIC

COLOR CCT	2700K/3000K/3500K/4000K/5000K
CRI	90
LUMEN	600lm/900lm
EFFICACY	75lm/w / 81lm/w
BEAM ANGLE	100°

CERTIFICATIONS & SAFETY

LR22832	ETL
IP RATING	IP54
WET LOCATION	YES
IC RATED	YES
AIR TIGHT	YES
OPERATING TEMP.	-4°F to 104°F
COST/YR	\$ 1.32
WARRANTY	5 YR

MATERIAL & APPLICATION

MATERIAL	ALUMINUM
LENS	PMMA
CUTOUT	Ø4.25"
MOUNTING TYPE	RECESSED
AREA OF APPLICATION	RESIDENTIAL, COMMERCIAL
CEILING TYPE	DRYWALL/WOOD

DRIVER

	POWER	INPUT VOLTS	INPUT CURRENT	FREQUENCY	INPUT POWER	OUTPUT VOLTAGE	DIMENSIONS	KNOCKOUTS
INCLUDED DRIVER	8W/11W	120-277V	100mA max	50/60Hz	11W max	36V DC	6.22"L X 3.21"W X 1.41"H	6

MODEL	DESCRIPTION	EM POWER	INPUT VOLTS	INPUT CURRENT	FREQUENCY	INPUT POWER	OUTPUT VOLTAGE	RECHARGE TIME	EMERGENCY TIME
LR35126**	LED/EMR/15W/AC/SF/E	15	100-347V	100mA	50/60Hz	12W max	170V DC	24HR	90MINS

*AMBIENT TEMPERATURE: 41°F ~ 122°F

**SOLD SEPARATELY

DIMENSIONS

CUTOUT: Ø4.25"

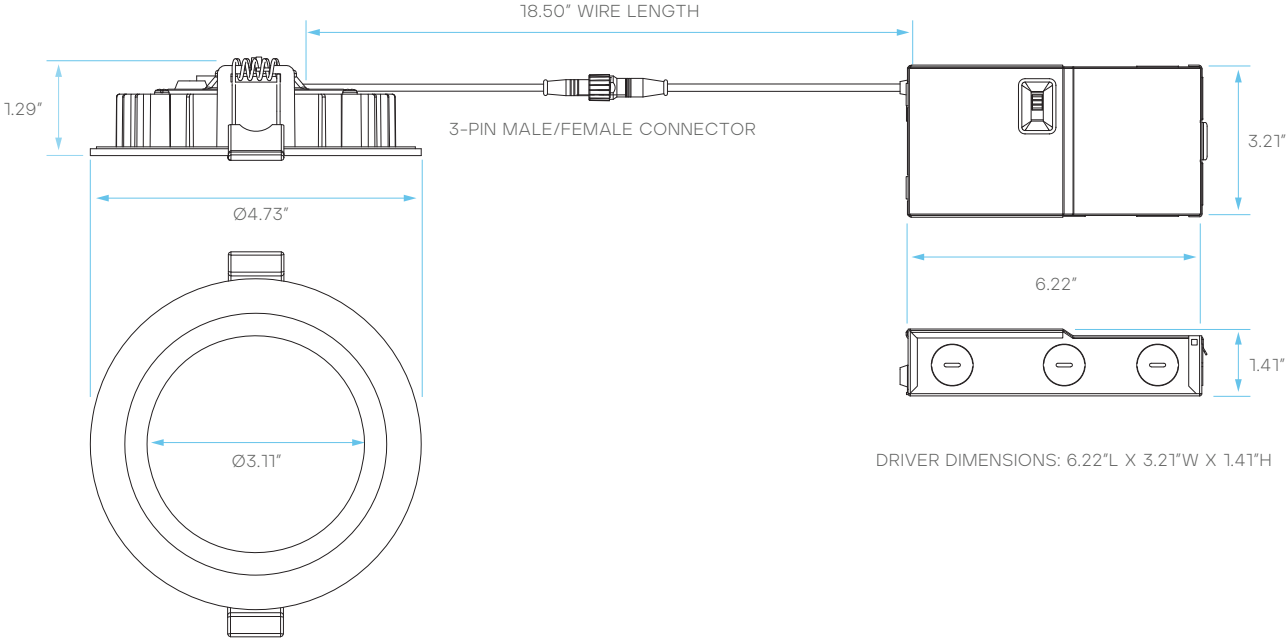
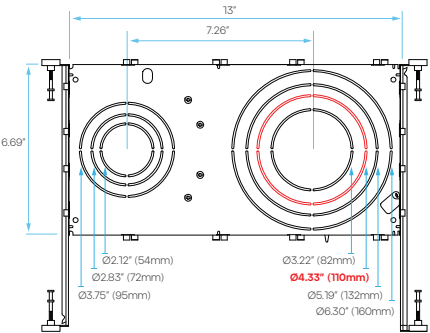


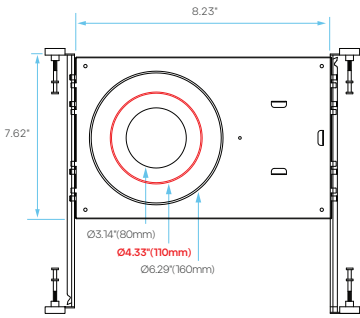
PLATE COMPATIBILITY*

*SOLD SEPARATELY

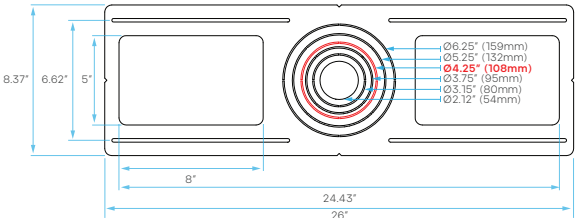
LR41010
KNOCKOUT
R1



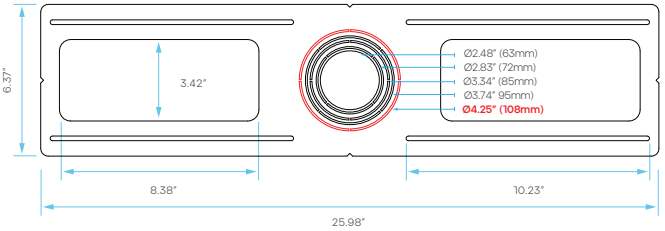
LR41002
KNOCKOUT
1



LR41006
KNOCKOUT
3



LR41011
KNOCKOUT
4



LR22836

LEDRMP6/2WO/5CCT/UDTW/RD/WT/UNV/DD



APERTURE	6"
DISTRIBUTION	FIXED
APPLICATION	NEW CONSTRUCTION/REMODEL

ELECTRICAL

POWER	12W/15W - SELECTABLE
INPUT VOLTS	120-277V
INPUT CURRENT	125mA
FREQUENCY	60Hz
DIMMING TYPE	TRIAC/0-10V
DIMMING RANGE	10-100%
FEED WIRE GAUGE	18AWG
BREAKER SPECIFICATION (15A @120V)	70pcs*

*Mathematically estimated value. Actual capacity may vary by breaker type and installation environment.

PHOTOMETRIC

COLOR CCT	2700K/3000K/3500K/4000K/5000K
CRI	90
LUMEN	770lm/1150lm
EFFICACY	64lm/W / 76lm/w
BEAM ANGLE	100°

CERTIFICATIONS & SAFETY

LR22836	ETL
IP RATING	IP54
WET LOCATION	YES
IC RATED	YES
AIR TIGHT	YES
OPERATING TEMP.	-4°F to 104°F
COST/YR	\$ 1.80
WARRANTY	5 YR

MATERIAL & APPLICATION

MATERIAL	ALUMINUM
LENS	PMMA
CUTOUT	Ø6.18"
MOUNTING TYPE	RECESSED
AREA OF APPLICATION	RESIDENTIAL, COMMERCIAL
CEILING TYPE	DRYWALL/WOOD

DRIVER

	POWER	INPUT VOLTS	INPUT CURRENT	FREQUENCY	INPUT POWER	OUTPUT VOLTAGE	DIMENSIONS	KNOCKOUTS
INCLUDED DRIVER	12W/15W	120-277V	125mA	50/60Hz	15W max	36V DC	6.22"L X 3.21"W X 1.41"H	6

MODEL	DESCRIPTION	EM POWER	INPUT VOLTS	INPUT CURRENT	FREQUENCY	INPUT POWER	OUTPUT VOLTAGE	RECHARGE TIME	EMERGENCY TIME
LR35126**	LED/EMR/15W/AC/SF/E	15	100-347V	100mA	50/60Hz	12W max	170V DC	24HR	90MINS

*AMBIENT TEMPERATURE: 41°F ~ 122°F
**SOLD SEPARATELY

DIMENSIONS

CUTOUT: Ø6.18"

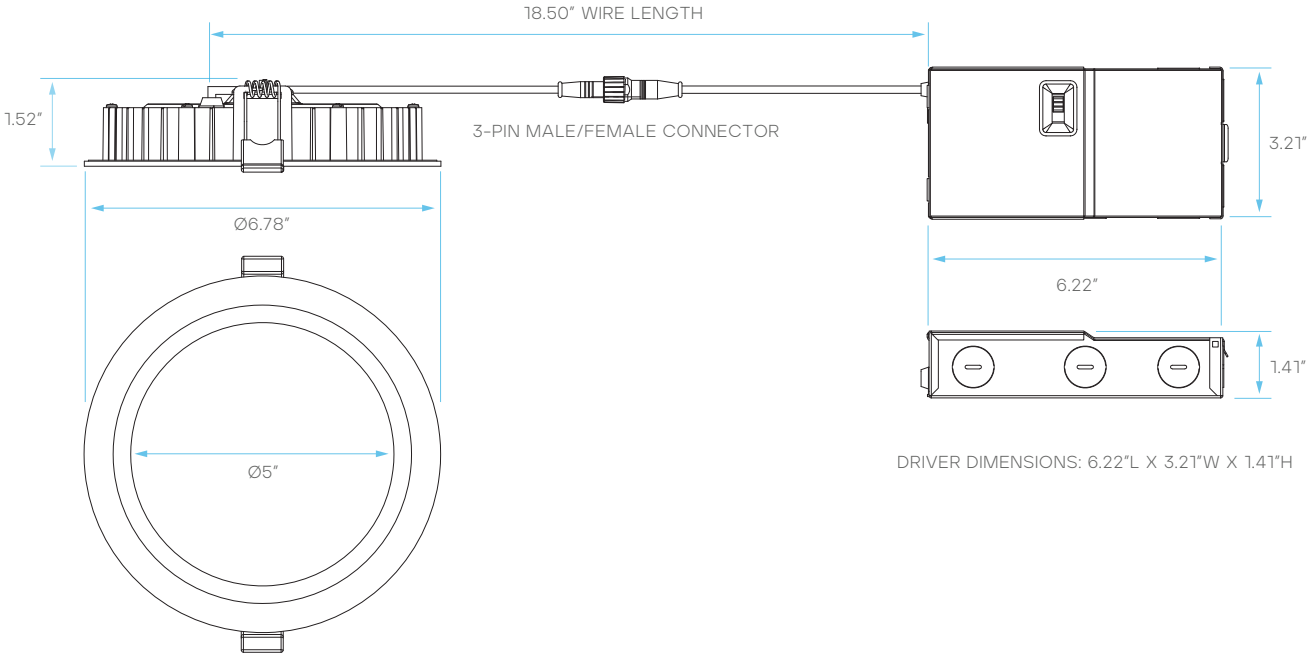
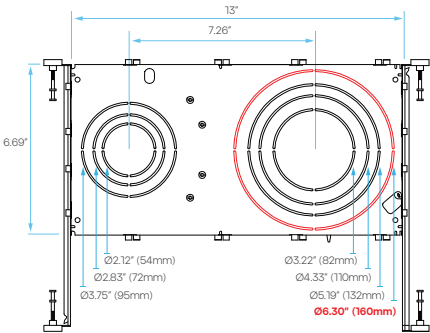


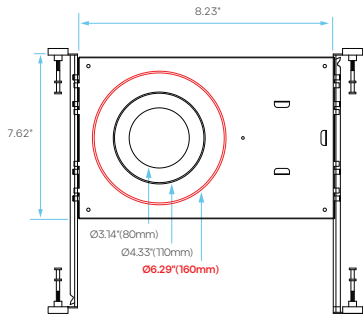
PLATE COMPATIBILITY*

*SOLD SEPARATELY

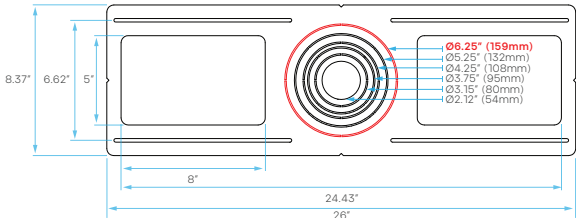
LR41010
KNOCKOUT
R3



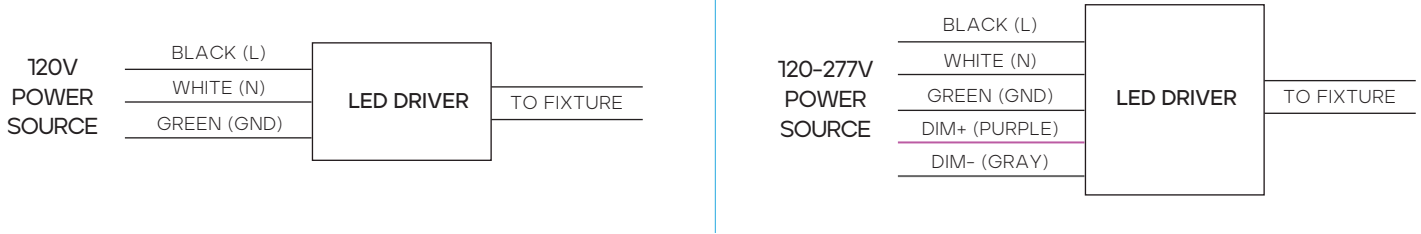
LR41002
KNOCKOUT
2



LR41006
KNOCKOUT
5



WIRING DIAGRAM



SUGGESTED COMPATIBLE DIMMER*

TRIAC DIMMING*

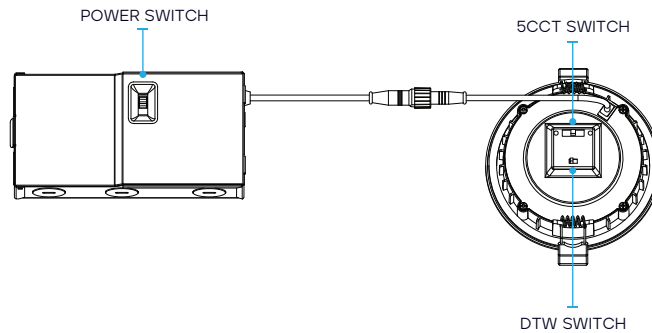
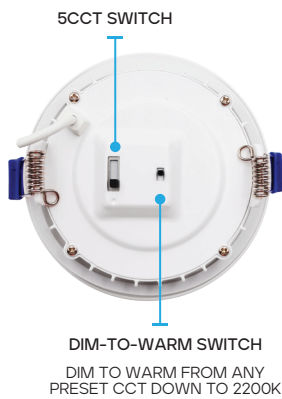
LUTRON	CTCL-153P
	DVCL-153PDH
	DVCL-153P
LEVITON	6672
	6674
PASS & SEYMOUR	HCL453PTCCCV6

0-10V DIMMING*

LUTRON	DIVA - DDTV
	DIVA - NFTV
	NOVA T - NTFTV
LEVITON	ILLUMATECH - IP7
LIGHTOLIER CONTROLS	ZP600FAM120
PHILIPS	SR1200ZTUNV

*Dimmer performance may vary based on load, wiring, and installation conditions. Inclusion on this chart does not guarantee compatibility for every installation, and omission does not indicate incompatibility. Refer to the dimmer manufacturer's installation instructions and verify minimum load requirements to avoid field issues

DIM TO WARM FUNCTION



WHEN DTW SWITCH OFF
DIMMING:
2700K-2700K
3000K-3000K
3500K-3500K
4000K-4000K
5000K-5000K

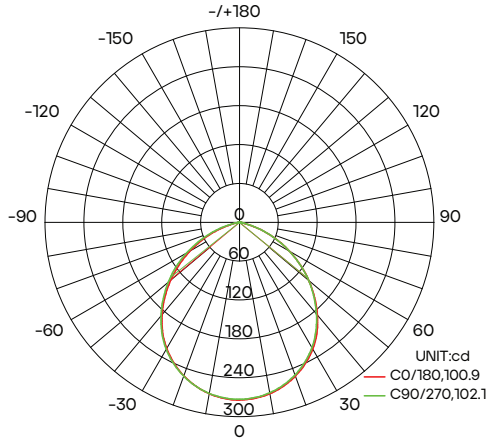
WHEN DTW SWITCH ON
DIMMING:
2700K-2200K
3000K-2200K
3500K-2200K
4000K-2200K
5000K-2200K

PACKAGING

MODEL	STYLE	INNER BOX DIMENSIONS	MASTER CARTON DIMENSIONS	CASE
LR22832	INNER BOX + MASTER CARTON	7.36" X 6.41" X 3.74"	22.87" X 8.14" X 13.62"	24
LR22836	INNER BOX + MASTER CARTON	9.56" X 6.49" X 2.95"	17.08" X 13.54" X 4.25"	12

Luxrite® Luxiflow® tool is for informational purposes only, it is not intended to provide lighting or electrical advise.

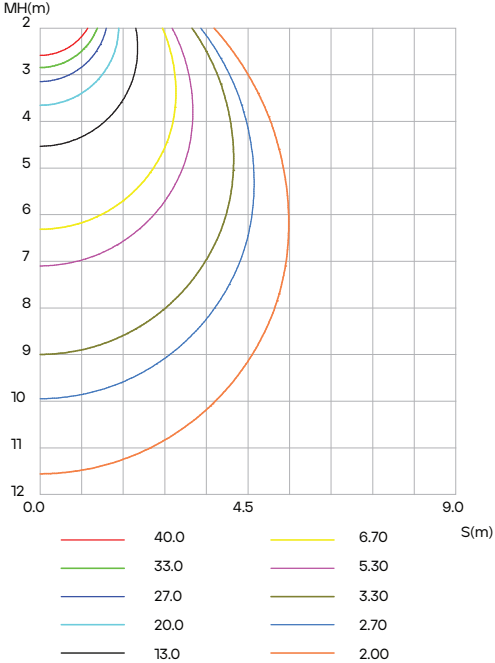
LUMINOUS INTENSITY DISTRIBUTION DIAGRAM



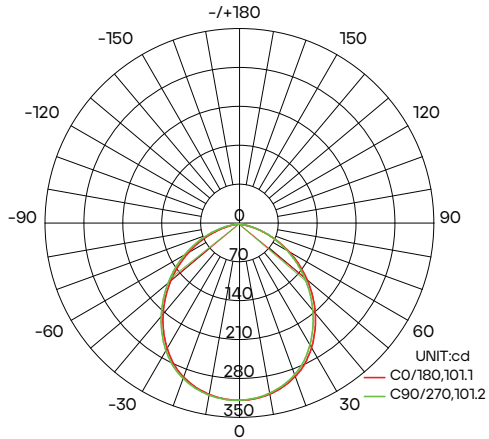
AVERAGE BEAM ANGLE(50%): 101.5 DEG

*DIAGRAM SHOWING LR22832 AT 2700K - 8W (120V)

CO PLANE ISOLUX DIAGRAM (UNIT:lx)



LUMINOUS INTENSITY DISTRIBUTION DIAGRAM



AVERAGE BEAM ANGLE(50%): 101.2 DEG

*DIAGRAM SHOWING LR22836 AT 2700K - 12W (120V)

CO PLANE ISOLUX DIAGRAM (UNIT:lx)

