

# LUXRITE®

## LED CANLESS - SPOTLIGHT SAN DIEGO COLLECTION

2"



LR22670



LR22678

3"



LR22671



LR22679

4"



LR22672



LR22680

5"



LR22673



LR22682

6"



LR22676



LR22684



COLOR SELECTABLE

2700K 3000K 3500K 4000K 5000K

WATTAGE SELECTABLE

2 & 3 OPTIONS

HIGH OUTPUT



\*SELECT MODELS



120-277V

\*SELECT MODELS





## LR22670

LEDRMP2/2WO/5CCT/RD/WT/D



## LR22678

LEDRMP2/2WO/5CCT/SQ/WT/D



LR22670



LR22678

APERTURE	2"
DISTRIBUTION	FIXED
APPLICATION	NEW CONSTRUCTION/REMODEL

### ELECTRICAL

POWER	9W/12W - SELECTABLE
INPUT VOLTS	120V
INPUT CURRENT	100mA
FREQUENCY	60Hz
DIMMING TYPE	TRIAC
DIMMING RANGE	10-100%
FEED WIRE GAUGE	24AWG
BREAKER SPECIFICATION *(15A @120V)	99pcs*

\*Mathematically estimated value. Actual capacity may vary by breaker type and installation environment.

### PHOTOMETRIC

COLOR CCT	2700K/3000K/3500K/4000K/5000K
CRI	80
LUMEN	LR22670: 750lm/900lm
	LR22678: 750lm/900lm
EFFICACY	LR22670: 77lm/w
	LR22678: 77lm/w
BEAM ANGLE	90°

### CERTIFICATIONS & SAFETY

LR22670	ETL
LR22678	ETL
WET LOCATION	YES
IC RATED	NO
AIR TIGHT	NO
OPERATING TEMP.	5°F to 10°F
COST/YR	\$ 1.44
WARRANTY	5 YR

### MATERIAL & APPLICATION

HOUSING	ALUMINUM
LENS	PC
CUTOUT	Ø2.36"
MOUNTING TYPE	RECESSED
AREA OF APPLICATION	RESIDENTIAL, COMMERCIAL
CEILING TYPE	DRYWALL, WOOD

### DRIVER

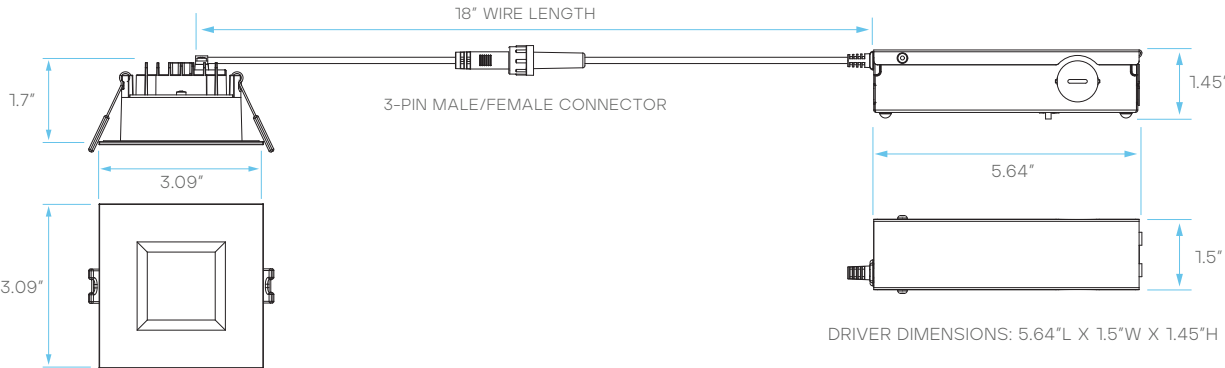
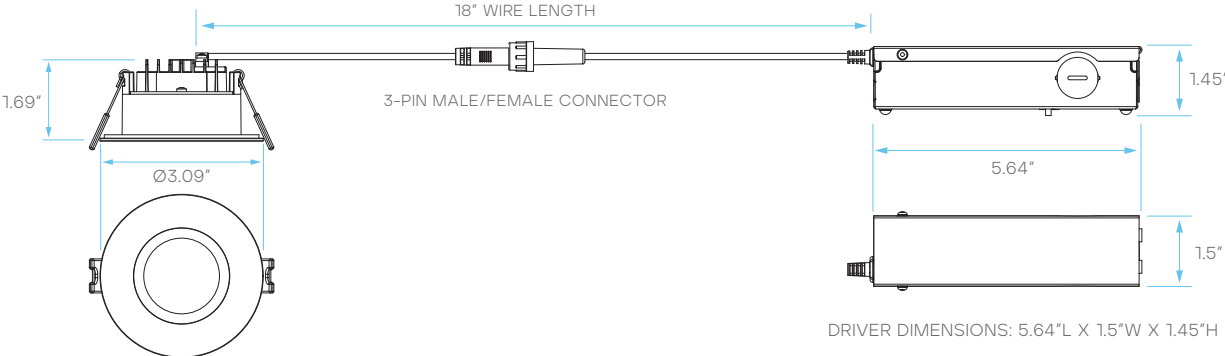
	POWER	INPUT VOLTS	INPUT CURRENT	FREQUENCY	INPUT POWER	OUTPUT VOLTAGE	DIMENSIONS	KNOCKOUTS
INCLUDED DRIVER	9W/12W	120-277V	100mA	60Hz	12W max	36V DC	5.64"L X 1.5"W X 1.45"H	2

MODEL	DESCRIPTION	EM POWER	INPUT VOLTS	INPUT CURRENT	FREQUENCY	INPUT POWER	OUTPUT VOLTAGE	RECHARGE TIME	EMERGENCY TIME
LR35126**	LED/EMR/15W/AC/SF/E	15	100-347V	100mA	50/60Hz	12W max	170V DC	24HR	90MINS

\*AMBIENT TEMPERATURE: 41°F ~ 122°F  
\*SOLD SEPARATELY

## DIMENSIONS

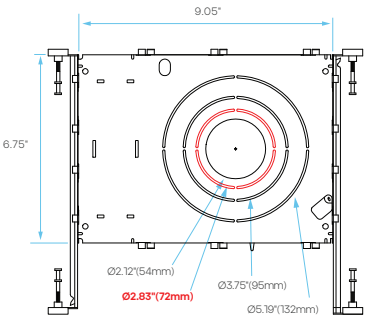
CUTOUT: Ø2.36"



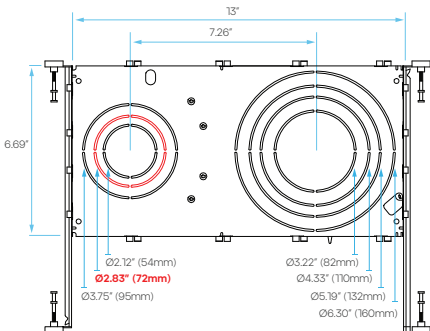
## PLATE COMPATIBILITY\*

\*SOLD SEPARATELY

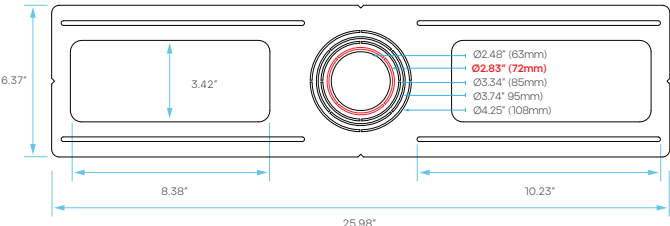
LR41004  
KNOCKOUT  
1



LR41010  
KNOCKOUT  
L1



LR41011  
KNOCKOUT  
1



## LR22671

LEDRMP3/2WO/5CCT/RD/WT/UNV/DD



## LR22679

LEDRMP3/2WO/5CCT/SQ/WT/UNV/DD



LR22671



LR22679

APERTURE	3"
DISTRIBUTION	FIXED
APPLICATION	NEW CONSTRUCTION/REMODEL

### ELECTRICAL

POWER	9W/12W - SELECTABLE
INPUT VOLTS	120-277V
INPUT CURRENT	100mA
FREQUENCY	60Hz
DIMMING TYPE	TRIAC/0-10V
DIMMING RANGE	10-100%
FEED WIRE GAUGE	24AWG
BREAKER SPECIFICATION (15A @120V)	99pcs*

\*Mathematically estimated value. Actual capacity may vary by breaker type and installation environment.

### PHOTOMETRIC

COLOR CCT	2700K/3000K/3500K/4000K/5000K
CRI	80
LUMEN	LR22671: 750lm/1000lm
	LR22679: 750lm/1000lm
EFFICACY	LR22671: 83lm/w
	LR22679: 83lm/w
BEAM ANGLE	90°

### CERTIFICATIONS & SAFETY

LR22671	ETL, ENERGY STAR
LR22679	ETL, ENERGY STAR
WET LOCATION	YES
IC RATED	NO
AIR TIGHT	NO
OPERATING TEMP.	-4°F to 10°F
COST/YR	\$ 1.44
WARRANTY	5 YR

### MATERIAL & APPLICATION

HOUSING	ALUMINUM
LENS	PC
CUTOUT	Ø3.22"
MOUNTING TYPE	RECESSED
AREA OF APPLICATION	RESIDENTIAL, COMMERCIAL
CEILING TYPE	DRYWALL, WOOD

### DRIVER

	POWER	INPUT VOLTS	INPUT CURRENT	FREQUENCY	INPUT POWER	OUTPUT VOLTAGE	DIMENSIONS	KNOCKOUTS
INCLUDED DRIVER	9W/12W	120-277V	100mA	60Hz	12W max	36V DC	6.36"L X 2.60"W X 1.28"H	2

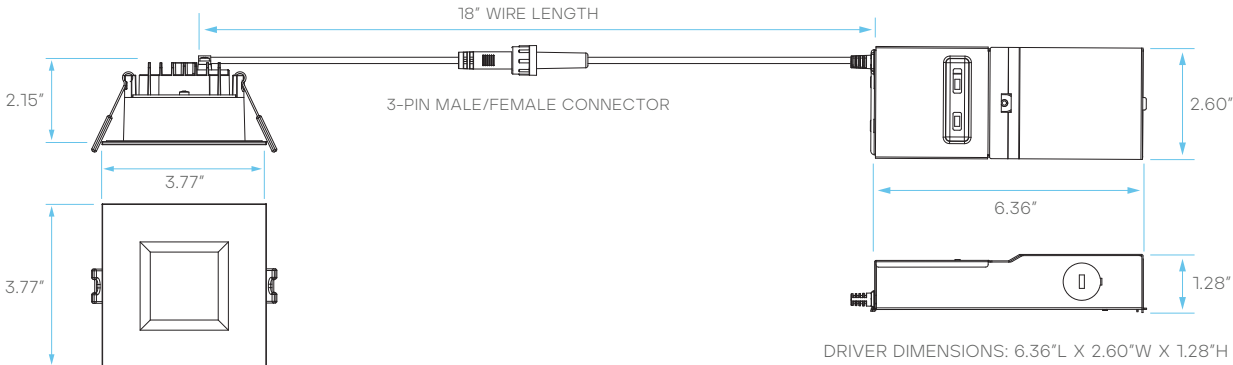
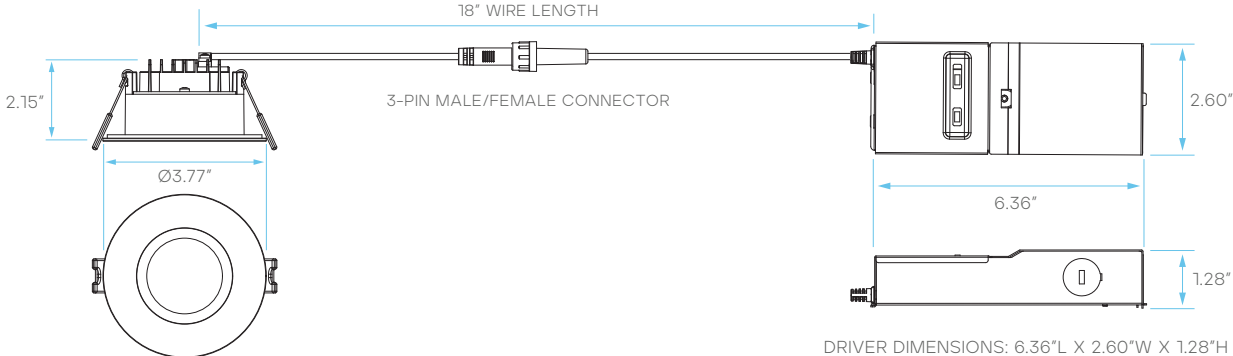
MODEL	DESCRIPTION	EM POWER	INPUT VOLTS	INPUT CURRENT	FREQUENCY	INPUT POWER	OUTPUT VOLTAGE	RECHARGE TIME	EMERGENCY TIME
LR35126**	LED/EMR/15W/AC/SF/E	15	100-347V	100mA	50/60Hz	12W max	170V DC	24HR	90MINS

\*AMBIENT TEMPERATURE: 41°F ~ 122°F

\*\*SOLD SEPARATELY

## DIMENSIONS

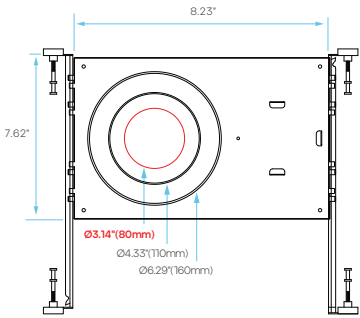
CUTOUT: Ø3.22"



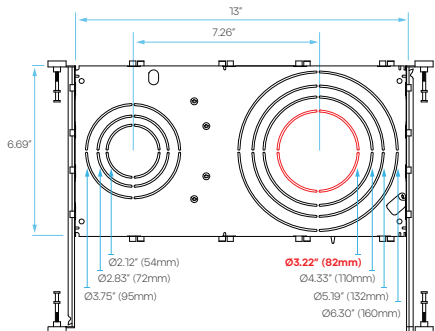
## PLATE COMPATIBILITY\*

\*SOLD SEPARATELY

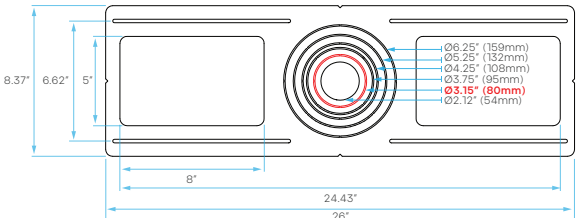
LR41002  
KNOCKOUT  
0



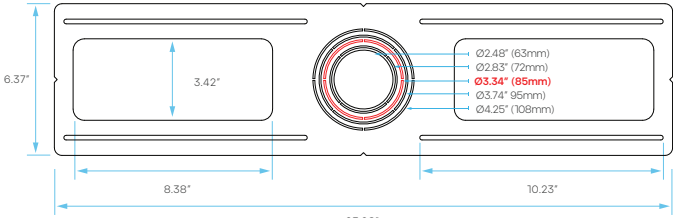
LR41010  
KNOCKOUT  
R0



LR41006  
KNOCKOUT  
1



LR41011  
KNOCKOUT  
2



## LR22672

LEDRMP4/3WO/5CCT/RD/WT/UNV/DD



## LR22680

LEDRMP4/3WO/5CCT/SQ/WT/UNV/DD



LR22672



LR22680



APERTURE	4"
DISTRIBUTION	FIXED
APPLICATION	NEW CONSTRUCTION/REMODEL

### ELECTRICAL

POWER	12W/15W/19W - SELECTABLE
INPUT VOLTS	120-277V
INPUT CURRENT	158mA
FREQUENCY	60Hz
DIMMING TYPE	TRIAC/0-10V
DIMMING RANGE	10-100%
FEED WIRE GAUGE	24AWG
BREAKER SPECIFICATION *(15A @120V)	63pcs*

\*Mathematically estimated value. Actual capacity may vary by breaker type and installation environment.

### PHOTOMETRIC

COLOR CCT	2700K/3000K/3500K/4000K/5000K
CRI	80
LUMEN	LR22672: 1000lm/1400lm/1800lm
	LR22680: 1000lm/1400lm/1800lm
EFFICACY	LR22672: 94lm/w
	LR22680: 94lm/w
BEAM ANGLE	90°

### CERTIFICATIONS & SAFETY

LR22672	ETL, ENERGY STAR
LR22680	ETL, ENERGY STAR
WET LOCATION	YES
IC RATED	NO
AIR TIGHT	NO
OPERATING TEMP.	-4°F to 104°F
COST/YR	\$ 2.28
WARRANTY	5 YR

### MATERIAL & APPLICATION

HOUSING	ALUMINUM
LENS	PC
CUTOUT	Ø4.33"
MOUNTING TYPE	RECESSED
AREA OF APPLICATION	RESIDENTIAL, COMMERCIAL
CEILING TYPE	DRYWALL, WOOD

### DRIVER

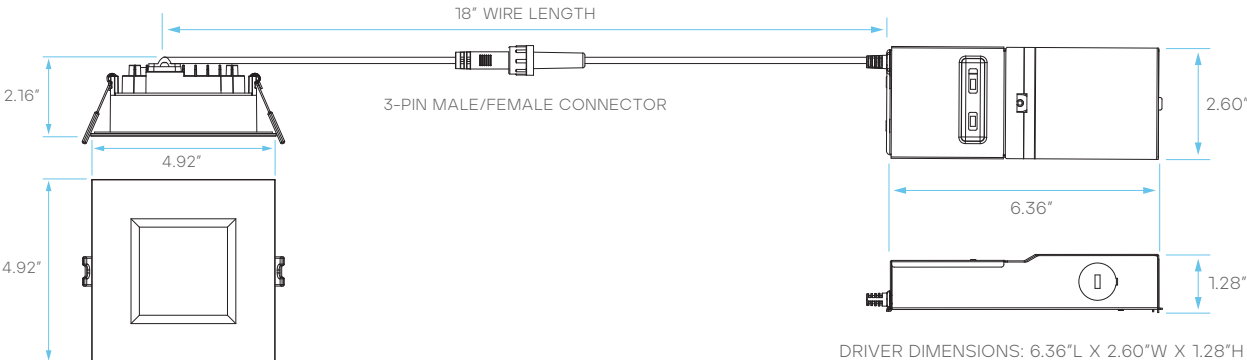
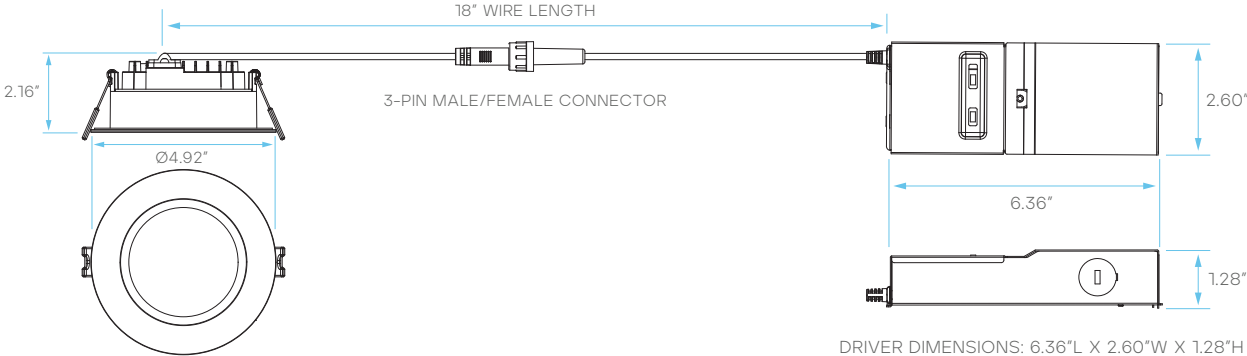
	POWER	INPUT VOLTS	INPUT CURRENT	FREQUENCY	INPUT POWER	OUTPUT VOLTAGE	DIMENSIONS	KNOCKOUTS
INCLUDED DRIVER	12W/15W/19W	120-277V	200mA max	60Hz	19W max	36V DC	6.36"L X 2.60"W X 1.28"H	2

MODEL	DESCRIPTION	EM POWER	INPUT VOLTS	INPUT CURRENT	FREQUENCY	INPUT POWER	OUTPUT VOLTAGE	RECHARGE TIME	EMERGENCY TIME
LR35126**	LED/EMR/15W/AC/SF/E	15	100-347V	100mA	50/60Hz	12W max	170V DC	24HR	90MINS

\*AMBIENT TEMPERATURE: 41°F ~ 122°F  
\*SOLD SEPARATELY

## DIMENSIONS

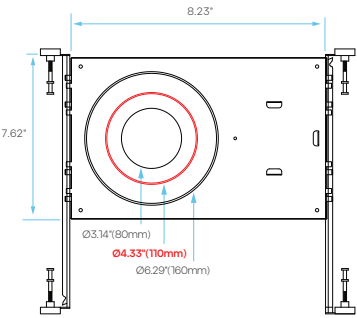
CUTOUT: Ø4.33"



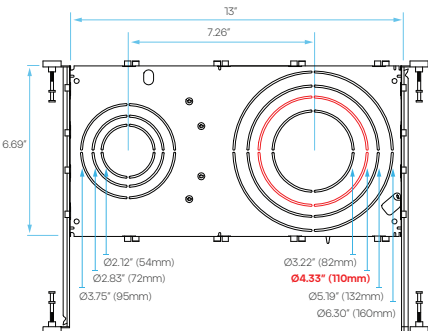
## PLATE COMPATIBILITY\*

\*SOLD SEPARATELY

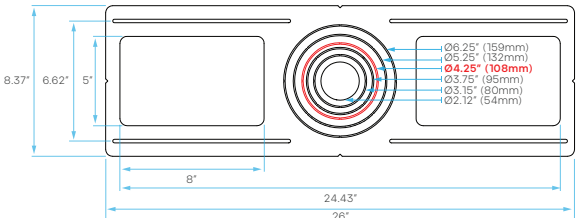
LR41002  
KNOCKOUT  
1



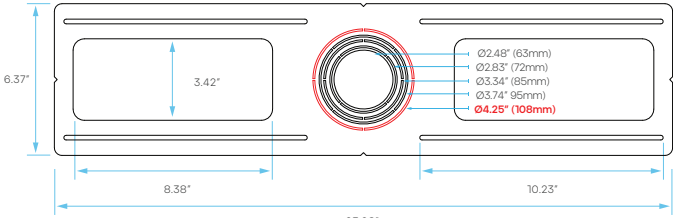
LR41010  
KNOCKOUT  
R1



LR41006  
KNOCKOUT  
3



LR41011  
KNOCKOUT  
4



## LR22673

LEDRMP5/3WO/5CCT/RD/WT/UNV/DD



## LR22682

LEDRMP5/3WO/5CCT/SQ/WT/UNV/DD



LR22673



LR22682

APERTURE	5"
DISTRIBUTION	FIXED
APPLICATION	NEW CONSTRUCTION/REMODEL

### ELECTRICAL

POWER	16W/21W/26W - SELECTABLE
INPUT VOLTS	120-277V
INPUT CURRENT	217mA
FREQUENCY	60Hz
DIMMING TYPE	TRIAC/0-10V
DIMMING RANGE	10-100%
FEED WIRE GAUGE	24AWG
BREAKER SPECIFICATION (15A @120V)	46pcs*

\*Mathematically estimated value. Actual capacity may vary by breaker type and installation environment.

### PHOTOMETRIC

COLOR CCT	2700K/3000K/3500K/4000K/5000K
CRI	80
LUMEN	LR22673: 1500lm/2000lm/2500lm
	LR22682: 1500lm/2000lm/2500lm
EFFICACY	LR22673: 96lm/w
	LR22682: 96lm/w
BEAM ANGLE	100°

### CERTIFICATIONS & SAFETY

LR22634	ETL, ENERGY STAR
LR22642	ETL, ENERGY STAR
WET LOCATION	YES
IC RATED	NO
AIR TIGHT	NO
OPERATING TEMP.	-4°F to 104°F
COST/YR	\$ 3.13
WARRANTY	5 YR

### MATERIAL & APPLICATION

HOUSING	ALUMINUM
LENS	PC
CUTOUT	Ø5.90"
MOUNTING TYPE	RECESSED
AREA OF APPLICATION	RESIDENTIAL, COMMERCIAL
CEILING TYPE	DRYWALL, WOOD

### DRIVER

	POWER	INPUT VOLTS	INPUT CURRENT	FREQUENCY	INPUT POWER	OUTPUT VOLTAGE	DIMENSIONS	KNOCKOUTS
INCLUDED DRIVER	16W/21W/26W	120-277V	217mA	60Hz	26W max	36V DC	8.45"L X 3.4"W X 1.47"H	4

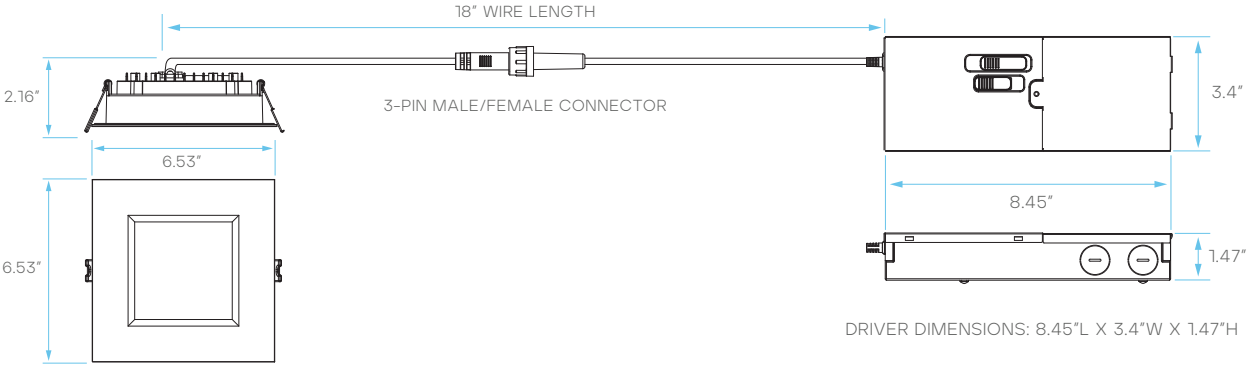
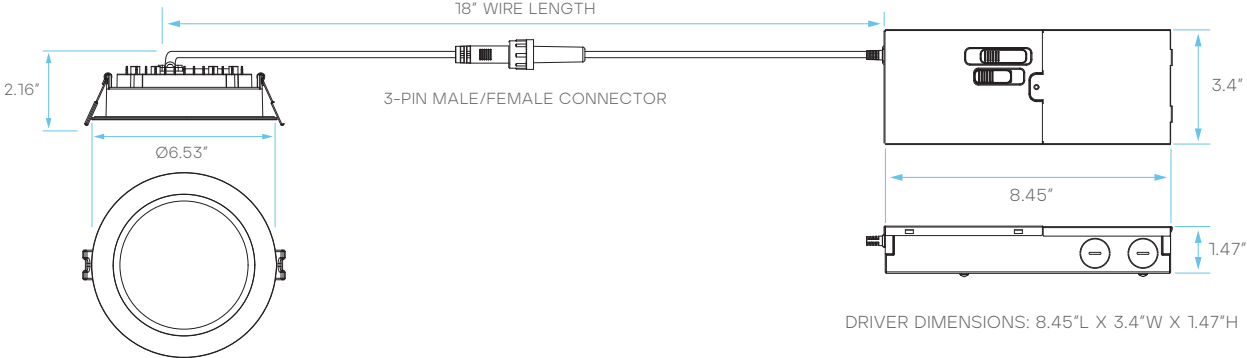
MODEL	DESCRIPTION	EM POWER	INPUT VOLTS	INPUT CURRENT	FREQUENCY	INPUT POWER	OUTPUT VOLTAGE	RECHARGE TIME	EMERGENCY TIME
LR35124**	LED/EMR/30W/AC/FC/E	30W	100-277V	100mA	50/60Hz	7W max	50-150V DC	24HR	90MINS

\*AMBIENT TEMPERATURE: 32°F ~ 122°F

\*\*SOLD SEPARATELY

## DIMENSIONS

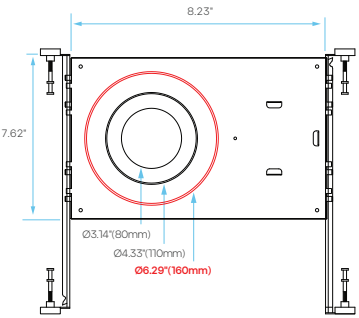
CUTOUT: Ø5.90"



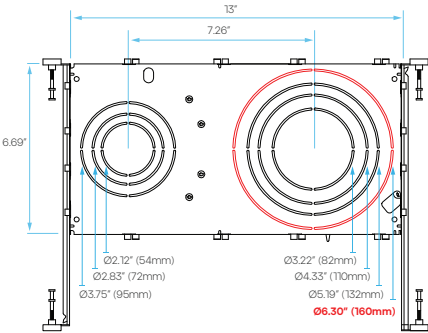
## PLATE COMPATIBILITY\*

\*SOLD SEPARATELY

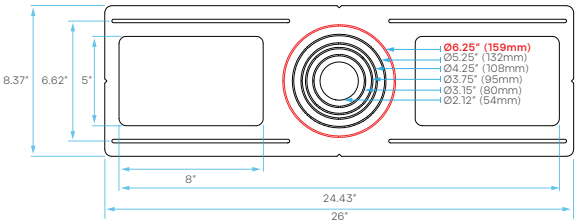
LR41002  
KNOCKOUT  
2



LR41010  
KNOCKOUT  
R3



LR41006  
KNOCKOUT  
5



## LR22676

LEDRMP6/3WO/5CCT/RD/WT/UNV/DD



## LR22684

LEDRMP6/3WO/5CCT/SQ/WT/UNV/DD



LR22676



LR22684

APERTURE	6"
DISTRIBUTION	FIXED
APPLICATION	NEW CONSTRUCTION/REMODEL

### ELECTRICAL

POWER	19W/25W/32W - SELECTABLE
INPUT VOLTS	120-277V
INPUT CURRENT	267mA
FREQUENCY	60Hz
DIMMING TYPE	TRIAC/0-10V
DIMMING RANGE	10-100%
FEED WIRE GAUGE	24AWG
BREAKER SPECIFICATION *(15A @120V)	37pcs*

\*Mathematically estimated value. Actual capacity may vary by breaker type and installation environment.

### PHOTOMETRIC

COLOR CCT	2700K/3000K/3500K/4000K/5000K
CRI	80
LUMEN	LR22676: 1800lm/2400lm/3000lm
	LR22684: 1800lm/2400lm/3000lm
EFFICACY	LR22676: 93lm/w
	LR22684: 93lm/w
BEAM ANGLE	100°

### CERTIFICATIONS & SAFETY

LR22676	ETL, ENERGY STAR
LR22684	ETL, ENERGY STAR
WET LOCATION	YES
IC RATED	NO
AIR TIGHT	NO
OPERATING TEMP.	-4°F to 104°F
COST/YR	\$ 6.30
WARRANTY	5 YR

### MATERIAL & APPLICATION

HOUSING	ALUMINUM
LENS	PC
CUTOUT	Ø6.29"
MOUNTING TYPE	RECESSED
AREA OF APPLICATION	RESIDENTIAL, COMMERCIAL
CEILING TYPE	DRYWALL, WOOD

### DRIVER

	POWER	INPUT VOLTS	INPUT CURRENT	FREQUENCY	INPUT POWER	OUTPUT VOLTAGE	DIMENSIONS	KNOCKOUTS
INCLUDED DRIVER	19W/25W/32W	120V	267mA	60Hz	32W max	36V DC	8.45"L X 3.4"W X 1.47"H	4

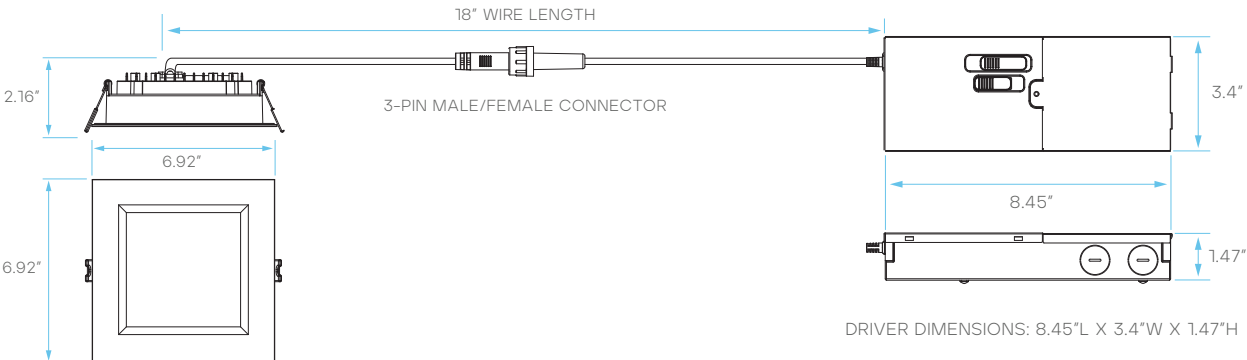
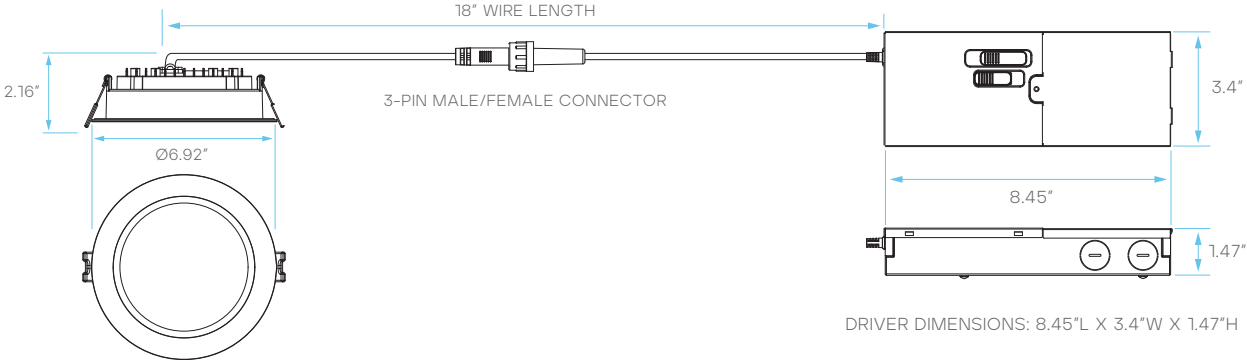
MODEL	DESCRIPTION	EM POWER	INPUT VOLTS	INPUT CURRENT	FREQUENCY	INPUT POWER	OUTPUT VOLTAGE	RECHARGE TIME	EMERGENCY TIME
LR35124**	LED/EMR/30W/AC/FC/E	30W	100-277V	100mA	50/60Hz	7W max	50-150V DC	24HR	90MINS

\*AMBIENT TEMPERATURE: 32°F ~ 122°F

\*\*SOLD SEPARATELY

## DIMENSIONS

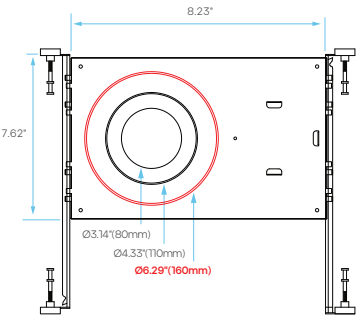
CUTOUT: Ø6.29"



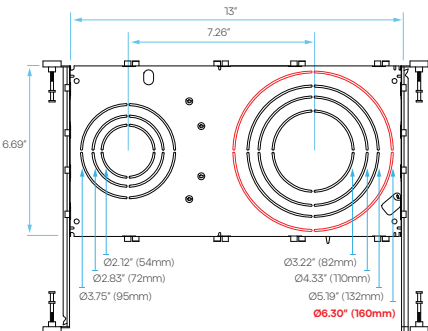
## PLATE COMPATIBILITY\*

\*SOLD SEPARATELY

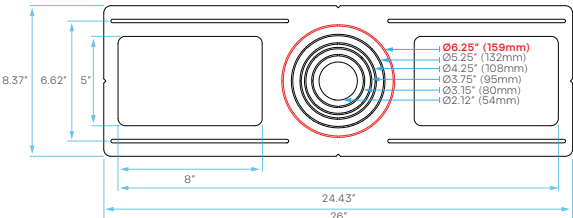
LR41002  
KNOCKOUT  
2



LR41010  
KNOCKOUT  
R3







LR41006  
KNOCKOUT  
5



## TRIM REPLACEMENT\*

\*SOLD SEPARATELY

	MODEL	DESCRIPTION	SIZE	FINISH	SHAPE	APPLICATION
	LR22650	LEDRMP3/HO/5CCT/TRIM/RD/BK	3"	BLACK	ROUND	FIXED
	LR22652	LEDRMP4/HO/5CCT/TRIM/RD/BK	4"	BLACK	ROUND	FIXED
	LR22654	LEDRMP5/HO/5CCT/TRIM/RD/BK	5"	BLACK	ROUND	FIXED
	LR22656	LEDRMP6/HO/5CCT/TRIM/RD/BK	6"	BLACK	ROUND	FIXED

## SUGGESTED COMPATIBLE DIMMER\*

### TRIAC DIMMING\*

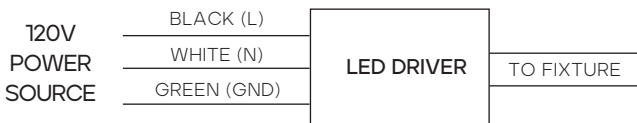
### 0-10V DIMMING\*

LUTRON	CTCL-153P	LUTRON	DIVA - DVTV
	DVCL-153PDH		DIVA - NFTV
	DVCL-153P		NOVA T - NTFTV
LEVITON	6672	LEVITON	ILLUMATECH - IP7
	6674		ZP600FAM120
PASS & SEYMOUR	HCL453PTCCCV6	LIGHTOLIER CONTROLS	SR1200ZTUNV
		PHILIPS	

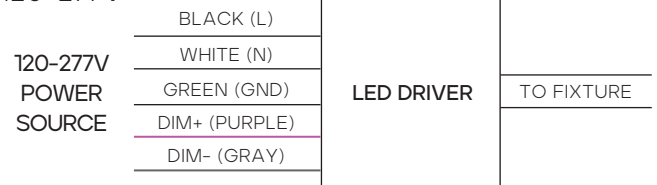
\*Dimmer performance may vary based on load, wiring, and installation conditions. Inclusion on this chart does not guarantee compatibility for every installation, and omission does not indicate incompatibility. Refer to the dimmer manufacturer's installation instructions and verify minimum load requirements to avoid field issues.

## WIRING DIAGRAM

### 120V



### 120-277V

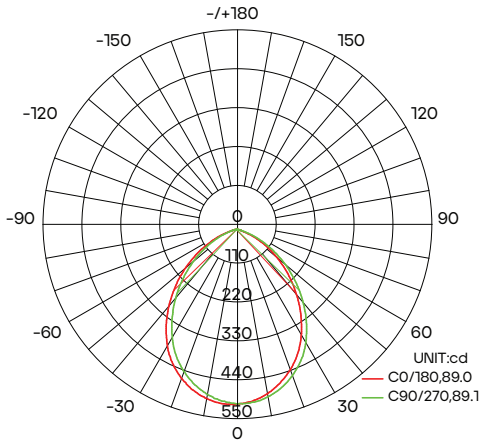


## PACKAGING

MODEL	STYLE	INNER BOX DIMENSIONS	MASTER CARTON DIMENSIONS	CASE
LR22670	INNER BOX + MASTER CARTON	5.90" X 4.72" X 6.88"	30.31" X 10.03" X 14.56"	20
LR22678	INNER BOX + MASTER CARTON	5.90" X 4.72" X 6.88"	30.31" X 10.03" X 14.56"	20
LR22671	INNER BOX + MASTER CARTON	6.29" X 4.56" X 4.09"	18.50" X 14.96" X 9.44"	12
LR22679	INNER BOX + MASTER CARTON	6.41" X 4.60" X 4.17"	18.50" X 14.96" X 9.44"	12
LR22672	INNER BOX + MASTER CARTON	5.98" X 4.48" X 5.23"	18.50" X 15.35" X 9.44"	12
LR22680	INNER BOX + MASTER CARTON	5.98" X 4.56" X 5.27"	18.50" X 15.35" X 9.44"	12
LR22673	INNER BOX + MASTER CARTON	7.40" X 4.56" X 6.96"	23.22" X 20.47" X 9.44"	12
LR22682	INNER BOX + MASTER CARTON	7.59" X 4.48" X 6.96"	23.22" X 20.47" X 9.44"	12
LR22676	INNER BOX + MASTER CARTON	7.75" X 4.68" X 7.28"	24.40" X 20.47" X 9.44"	12
LR22684	INNER BOX + MASTER CARTON	7.75" X 4.52" X 7.36"	24.40" X 20.47" X 9.44"	12

Luxrite® Luxiflow® tool is for informational purposes only, it is not intended to provide lighting or electrical advice.

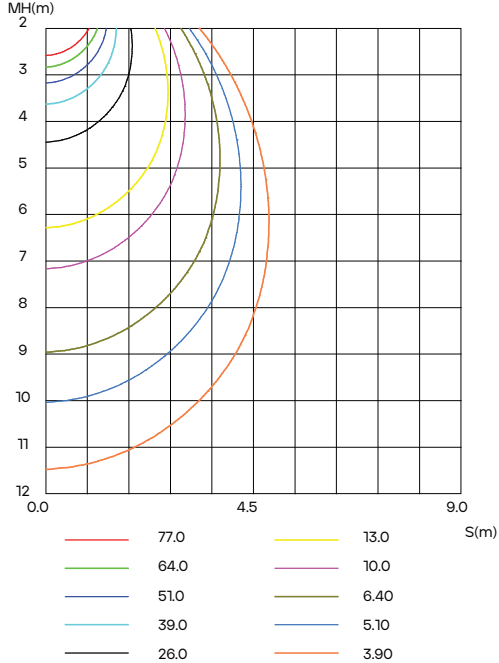
LUMINOUS INTENSITY DISTRIBUTION DIAGRAM



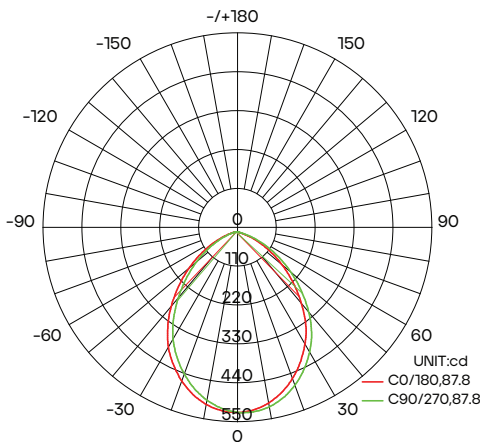
AVERAGE BEAM ANGLE(50%): 89.0 DEG

\*DIAGRAM SHOWING LR22670 AT 2700K

C0 PLANE ISOLUX DIAGRAM (UNIT: lx)



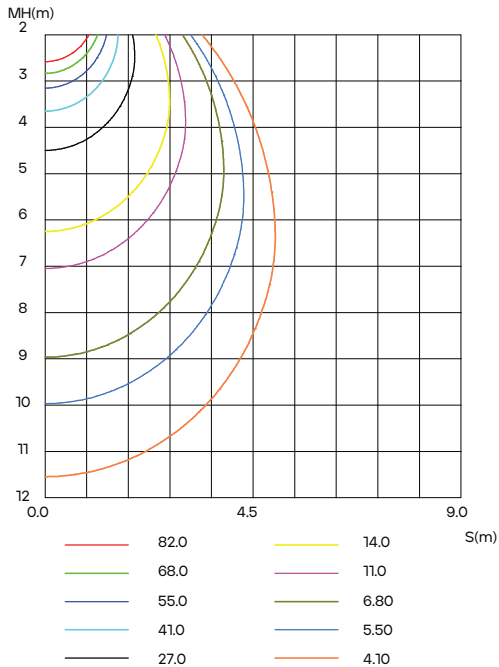
LUMINOUS INTENSITY DISTRIBUTION DIAGRAM



AVERAGE BEAM ANGLE(50%): 87.8 DEG

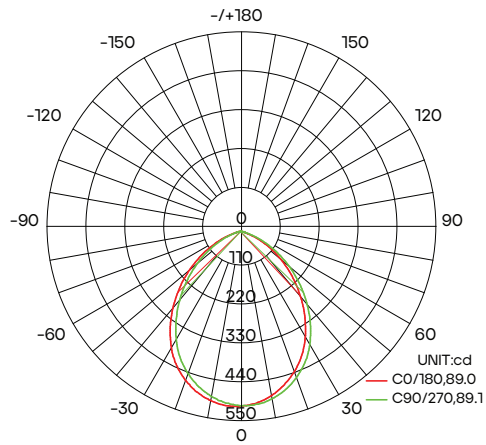
\*DIAGRAM SHOWING LR22678 AT 2700K

C0 PLANE ISOLUX DIAGRAM (UNIT: lx)



Luxrite® Luxiflow® tool is for informational purposes only, it is not intended to provide lighting or electrical advice.

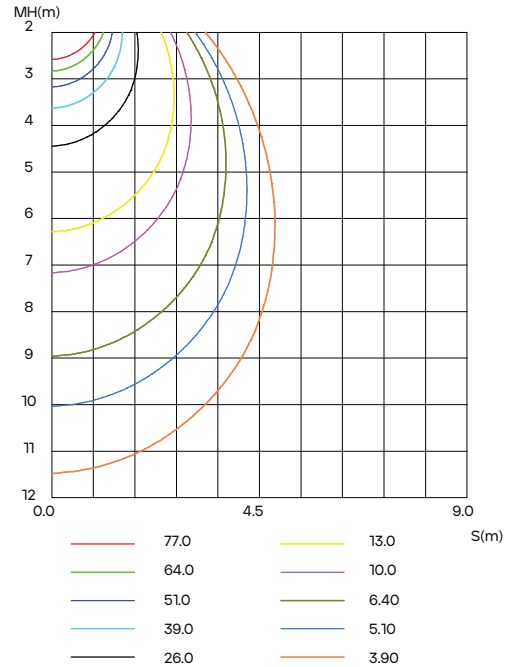
LUMINOUS INTENSITY DISTRIBUTION DIAGRAM



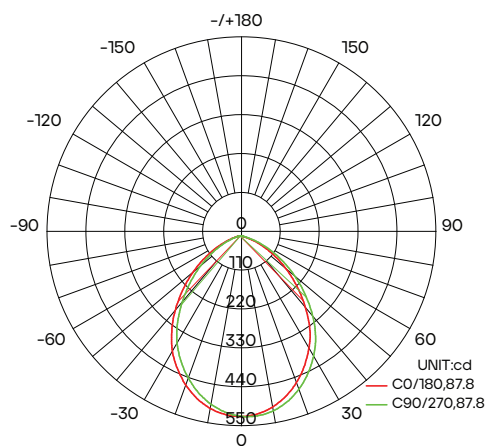
AVERAGE BEAM ANGLE(50%): 89.0 DEG

\*DIAGRAM SHOWING LR22671 AT 2700K

C0 PLANE ISOLUX DIAGRAM (UNIT: lx)



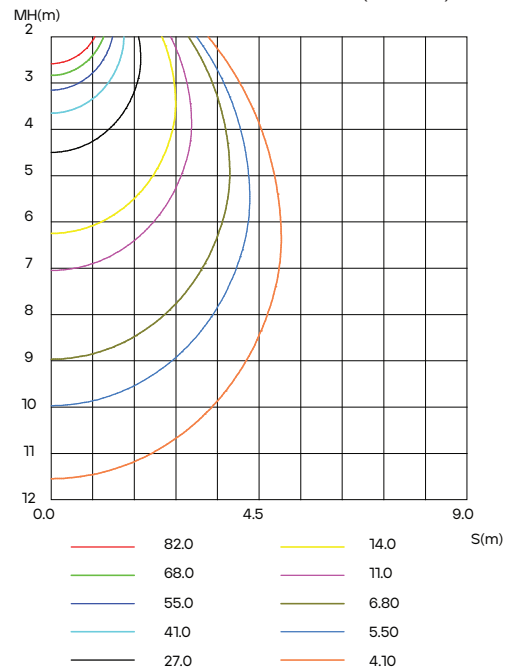
LUMINOUS INTENSITY DISTRIBUTION DIAGRAM



AVERAGE BEAM ANGLE(50%): 87.8 DEG

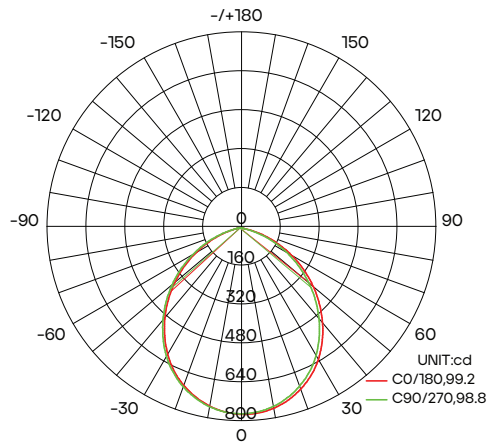
\*DIAGRAM SHOWING LR22679 AT 2700K

C0 PLANE ISOLUX DIAGRAM (UNIT: lx)



Luxrite® Luxiflow® tool is for informational purposes only, it is not intended to provide lighting or electrical advise.

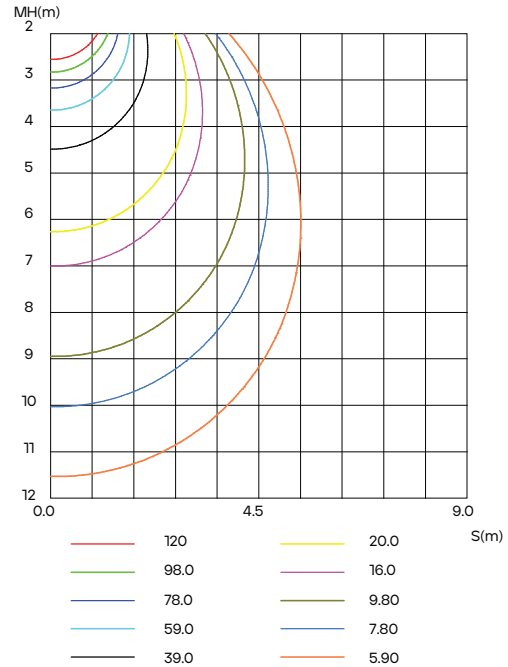
LUMINOUS INTENSITY DISTRIBUTION DIAGRAM



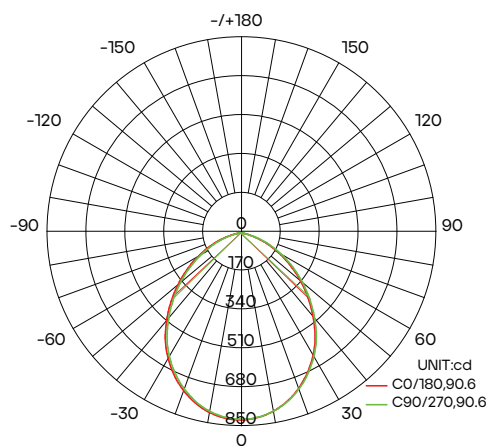
AVERAGE BEAM ANGLE(50%): 99.0 DEG

\*DIAGRAM SHOWING LR22672 AT 2700K

C0 PLANE ISOLUX DIAGRAM (UNIT: lx)



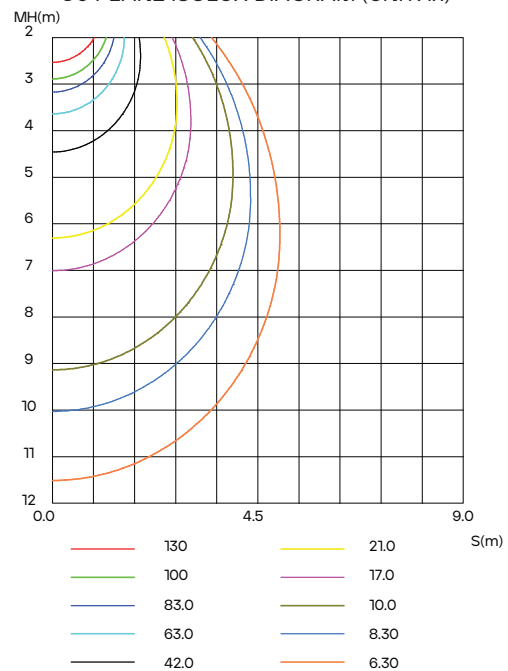
LUMINOUS INTENSITY DISTRIBUTION DIAGRAM



AVERAGE BEAM ANGLE(50%): 90.6 DEG

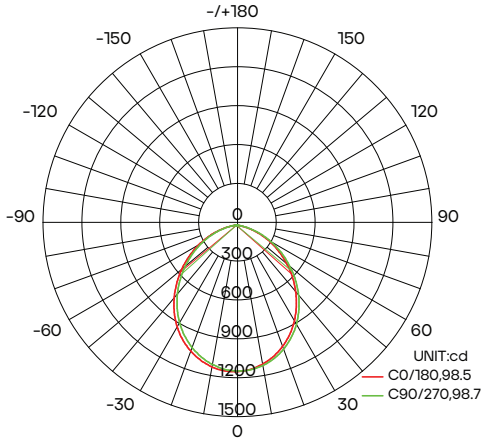
\*DIAGRAM SHOWING LR22680 AT 2700K

C0 PLANE ISOLUX DIAGRAM (UNIT: lx)



Luxrite® Luxiflow® tool is for informational purposes only, it is not intended to provide lighting or electrical advise.

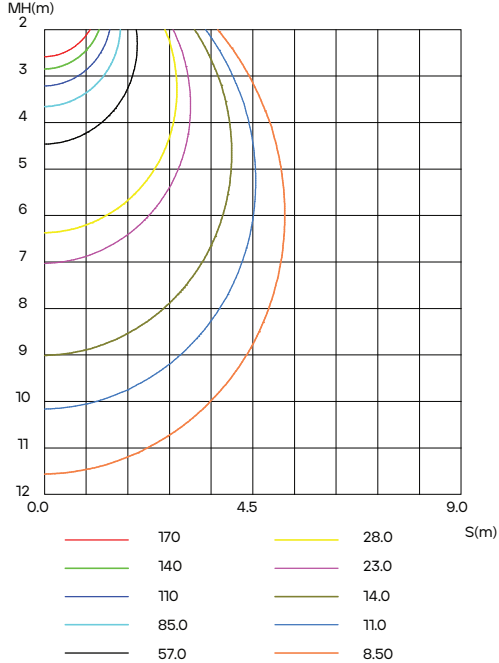
LUMINOUS INTENSITY DISTRIBUTION DIAGRAM



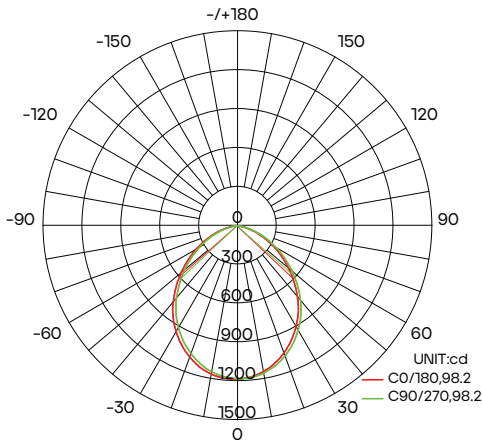
AVERAGE BEAM ANGLE(50%): 98.6 DEG

\*DIAGRAM SHOWING LR22673 AT 2700K

CO PLANE ISOLUX DIAGRAM (UNIT: lx)



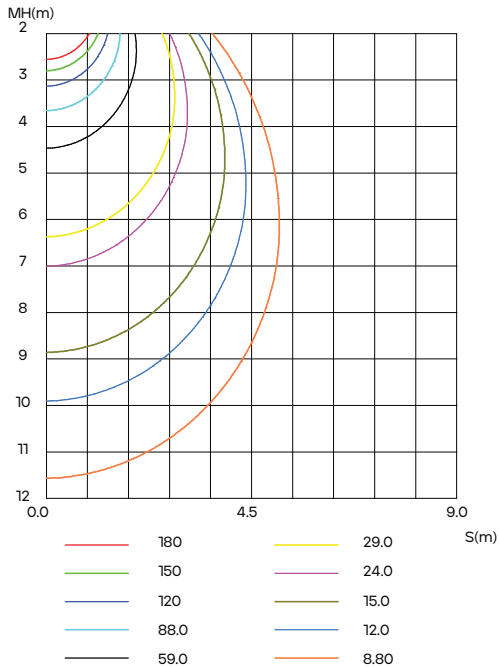
LUMINOUS INTENSITY DISTRIBUTION DIAGRAM



AVERAGE BEAM ANGLE(50%): 95.4 DEG

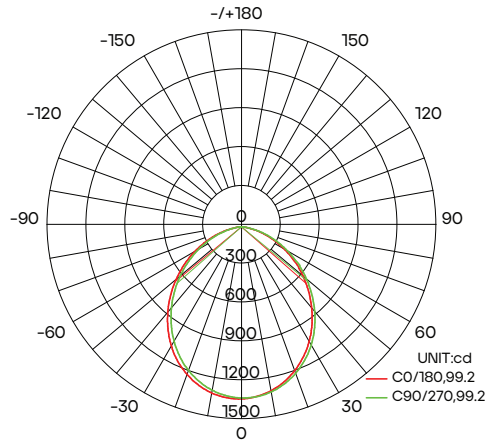
\*DIAGRAM SHOWING LR22682 AT 2700K

CO PLANE ISOLUX DIAGRAM (UNIT: lx)



Luxrite® Luxiflow® tool is for informational purposes only, it is not intended to provide lighting or electrical advise.

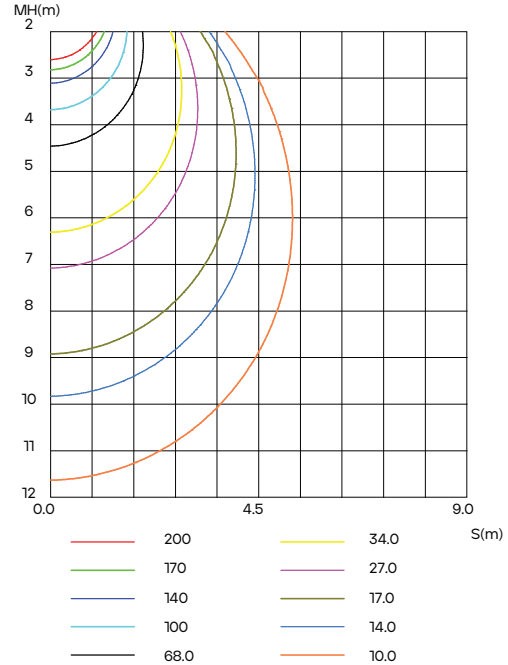
### LUMINOUS INTENSITY DISTRIBUTION DIAGRAM



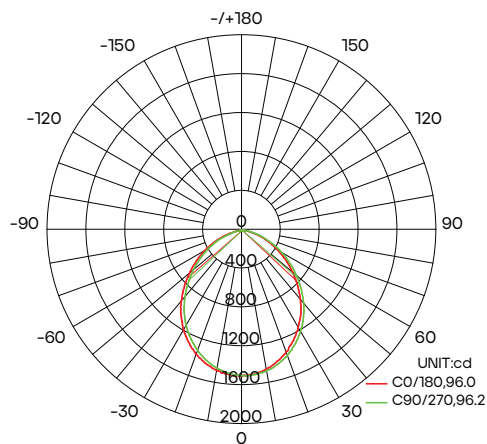
AVERAGE BEAM ANGLE(50%): 99.2 DEG

\*DIAGRAM SHOWING LR22676 AT 2700K

### CO PLANE ISOLUX DIAGRAM (UNIT: lx)



### LUMINOUS INTENSITY DISTRIBUTION DIAGRAM



AVERAGE BEAM ANGLE(50%): 96.1 DEG

\*DIAGRAM SHOWING LR22684 AT 2700K

### CO PLANE ISOLUX DIAGRAM (UNIT: lx)

