

## 17" DECORATIVE FLUSH MOUNT FIXTURE WITH INTERCHANGEABLE CANOPIES LR23151, LR23152, LR23153, LR23154

### WARNING

**IMPORTANT: NEVER** attempt any work without shutting off the electricity.

Read all instructions before installing.

System is intended for installation by a qualified electrician in accordance with the National Electrical Code and local regulations.

Go to the main fuse box, or circuit breaker. Place the main power switch in the "OFF" position and unscrew the fuse(s) or switch "OFF" the circuit breaker switch(es) that control the power to the fixture or room that you are working on.

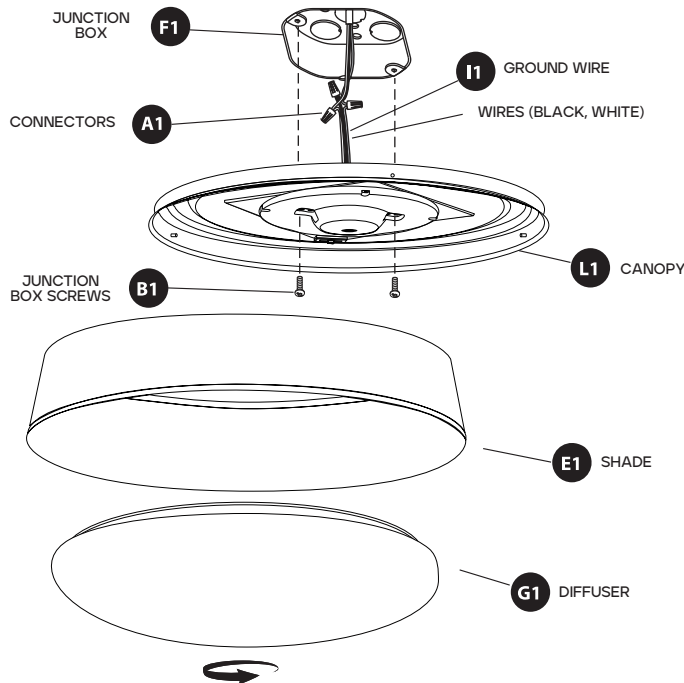
Place the wall switch in the "OFF" position.

### CAUTION

All parts must be used as indicated in these instructions. **DO NOT** substitute any parts, leave parts out, or use any parts that are worn out or broken. Failure to unfollow these instructions could invalidate the CSA listing of this fixture. **CAUTION**, when handling the fixture, **DO NOT** apply pressure to the LEDs. Hold fixture by the base only.

### INSTRUCTIONS

FIG. 1



### PREPARATION

1. SHUT OFF the power at the circuit breaker and remove existing fixture, including the mounting hardware.
2. Carefully unpack your new fixture and lay out all the parts on a clear area. Be careful not to lose any small parts necessary for installation.

### CONNECTING THE WIRES FIG. 2

3. Connect the fixture input wires to junction box wires as shown in FIG. 2, making sure that all wire connectors (A1) are secured. If your outlet box has a ground wire (I1) (Green or bare copper), connect the fixtures ground wire to it. After wires are connected, tuck them carefully inside the junction box.

### MOUNTING THE FIXTURE FIG. 1

4. Place the canopy (L1) over the junction box (F1) and secure with mounting screws (B1) exposed to engage keyholes in canopy (L1).
5. Place shade (E1) over diffuser (G1). Align diffuser (G1) over pegs in the canopy (L1). Twist lock the diffuser into the canopy.

### HARDWARE



WIRE CONNECTOR  
QTY: 3



JUNCTION BOX SCREW  
QTY: 2+2 EXTRA

### 5 CCT SELECTABLE SWITCH

The slide switch is located on the front of the canopy that allows the color temperature of the light to be adjusted between 5 different settings:

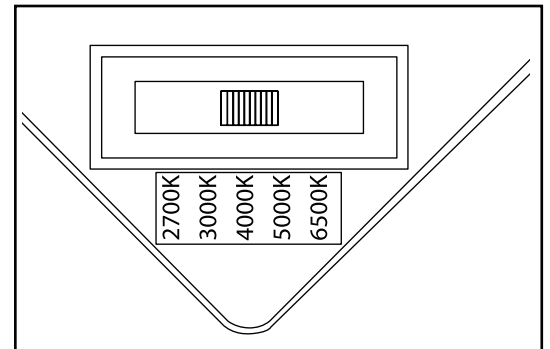


FIG. 2 - WIRING

FIXTURE WIRES	HOUSE WIRES
BLACK OR SMOOTH	BLACK (HOT)
WHITE OR RIBBED	WHITE (NEUTRAL)
BARE WIRE (GROUND)	GREEN OR BARE COPPER (GROUND)