

LED-DRJ 300W

12/24V DC CONSTANT VOLTAGE DRIVER

The LED-DRJ Series features universal 100-277V AC power input with high reliability. Standard built-in protections include short circuit, over-current, over-voltage, and over temperature. Used commonly with DMX decoders and controls for secondary side dimming, they can also be used in non-dimming applications (minimum loads apply). Durable aluminum housing features integrated junction box and wet location rating.

- 12V or 24V DC constant voltage hardwire driver
- Non-dimmable option for installations where primary side dimming is not needed
- Short circuit, over-load, and over-temperature protections
- Slim, compact aluminum housing design (only 1.92" tall)
- Integrated wiring compartment
- Free air convection cooling
- Class 1, Class P, Type HL, FCC compliant

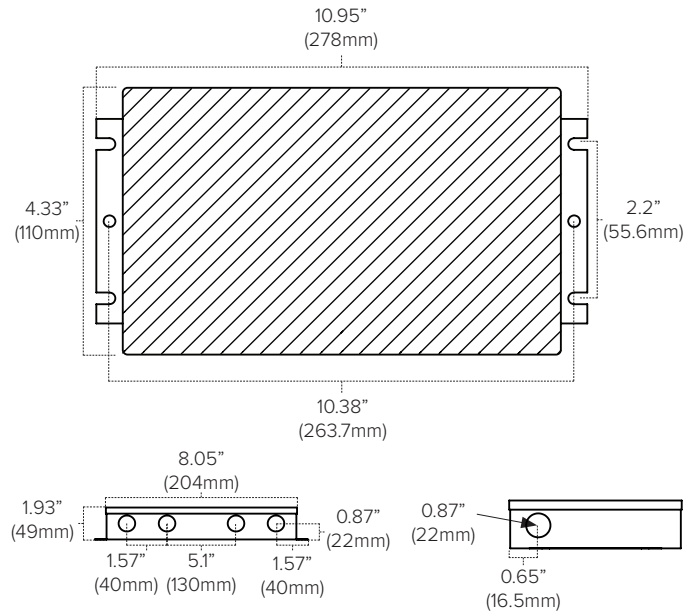
PROJECT:
TYPE:
LOCATION:
CATALOG NUMBER:



LED-DRJ - 300W QUICK SPECS

SERIES	LED-DRJ--DRJ 300W
INPUT VOLTAGE	100-277VAC
INPUT CURRENT	3.4A
OUTPUT VOLTAGE	12VDC / 24VDC
RATED CURRENT	25A@12VDC / 12.5A@24VDC
POWER FACTOR	0.95
MIN LOAD	30W
MAX LOAD	300W
EFFICIENCY	> 88%
DIMENSIONS	10.95" (278mm) L x 4.33" (110mm) W x 1.93" (49mm) H
DIMMING	Non-Dimming
STORAGE TEMP	-40°F to 176°F (-40°C to 80°C)
AMBIENT TEMP	-40°F to 140°F (-40°C to 60°C)
OPERATING TEMP	-40°F to 140°F (-40°C to 60°C)
RATING	cULus Listed for Wet locations

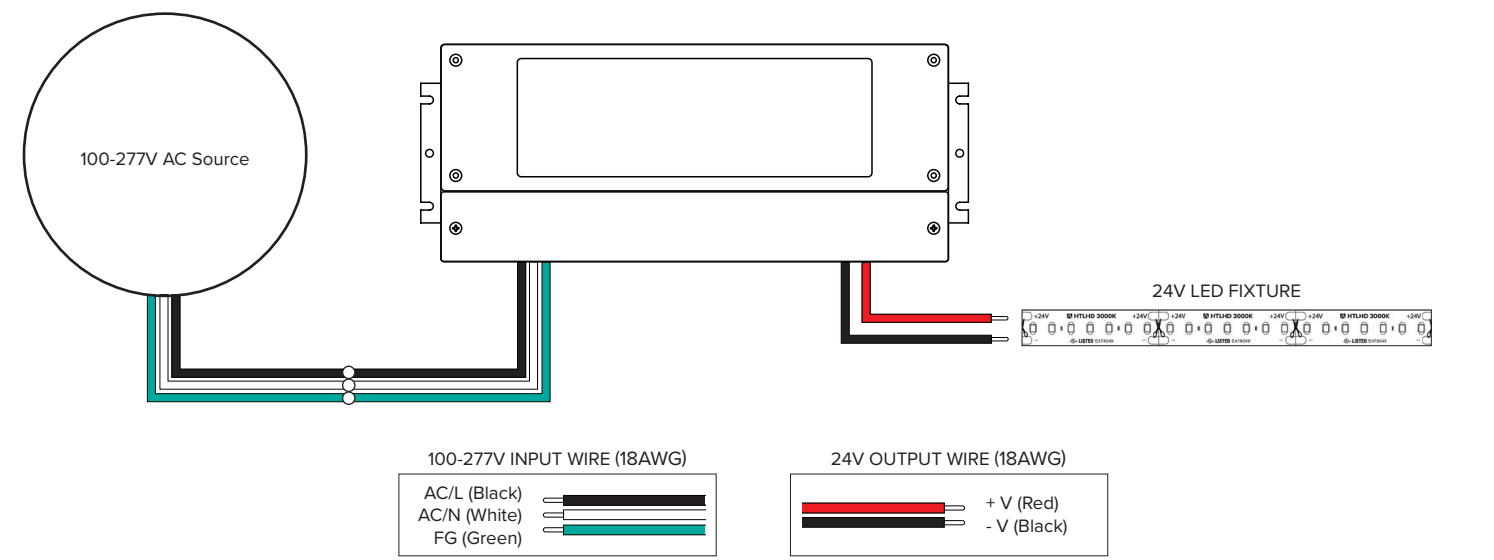
LED-DRJ - 300W QUICK DIMENSIONS



LED-DRJ 192W DRIVER ORDERING INFORMATION

ITEM NUMBER	DESCRIPTION	INPUT VOLTAGE	OUTPUT VOLTAGE	MIN LOAD	MAX LOAD
PZM-DRJLED12V-300	300W constant voltage Driver	100-277V DC	12V DC	30W	300W
PZM-DRJLED24V-300	300W constant voltage Driver	100-277V DC	24V DC	30W	300W

LED-DRJ - 300W DIMMING WIRING DIAGRAM





PRIZM LIGHTING WARRANTY

5-YEAR LIMITED WARRANTY FOR LED PRODUCTS

Prizm Lighting, a division of American Lighting Inc, warrants to its customer and the original end user the LED electronics and components of its properly installed LED products, to be free of defects in material and workmanship, in normal use, for a period of five (5) years from the date of shipments by Prizm Lighting and warrants the painted finish for a period of one (1) year from the date of shipment by Prizm Lighting.

Painted finished on the product will be considered defective in material or workmanship only if there is substantial deterioration in the form of blistering, cracking, or peeling within the one (1) year warranty period. The painted finish is not warranted against fading or chalking, as it may naturally fade or chalk over time due to normal aging.

Prizm Lighting, a division of American Lighting Inc, at its sole option, will repair, replace, credit, or refund, any warranted product returned to it that it determines to be defective. Customer or consumer must return the product, transportation prepaid, to American Lighting Inc at 11775 E. 45th Ave, Denver, CO 80239 within the warranty period. No return of products will be accepted without a Return Goods Authorization (RGA) which may be obtained by calling 1-800-297-0484. This warranty excludes and there is disclaimed liability for labor or removal of this product or re-installation of this product or a replacement product. This warranty is void if the product is installed in violation of the National Electrical Code (NEC) or any applicable local electrical codes, or in an improper environment, misused, opened, abused, or altered in any manner, or is not used under normal operating conditions, or not in accordance with any labels or instructions. This warranty does not cover damages due to environmental conditions, acts of nature, animal or insect activity, or power surges.

THE ABOVE EXPRESS WARRANTY STATES THE FULL AND COMPLETE OBLIGATION OF PRIZM LIGHTING, A DIVISION OF AMERICAN LIGHTING INC. ALL IMPLIED WARRANTIES OF MERCHANTABILITY OR FITNESS FOR A PARTICULAR PURPOSE ARE LIMITED IN DURATION TO THE TERM OF THE EXPRESS WARRANTY. UNDER NO CIRCUMSTANCES WILL PRIZM™ LIGHTING, A DIVISION OF AMERICAN LIGHTING INC, ACCEPT LIABILITY FOR ANY INCIDENTAL, CONSEQUENTIAL, SPECIAL, OR INDIRECT DAMAGES, INCLUDING, WITHOUT LIMITATION, DAMAGE TO OR LOSS OF USE OF ANY EQUIPMENTS, LOST SALES OR PROFITS OR DELAY OR FAILURE TO PERFORM THIS WARRANTY OBLIGATION. THE REMEDIES PROVIDED HEREIN ARE THE EXCLUSIVE REMEDIES UNDER THIS WARRANTY, WHETHER ARISING OUT OF CONTRACT, TORT, STRICT LIABILITY, OR OTHERWISE.

Some states do not allow the exclusion of limitation of incidental or consequential damages, so the above limitation or exclusion may not apply to you. This warranty gives you specific legal rights, and you may also have other rights which vary from state to state.

No distributor or supplier of Prizm Lighting, a division of American Lighting Inc, has the authority to modify or amend this Limited Warranty. This warranty may not be transferred or assigned by the original end user.

AVERAGE LIFE

For LEDs, the hours of rated life specify the point where 70% of original lumen output is reached. Below this point, the effective life is over, however, the LED may still emit light. Individual results may vary with actual environmental conditions including, but not limited to, proper installation, ambient temperature and/or input voltage fluctuations.

For all linear lighting categories, any non-rated field connection made in an outdoor application should be properly sealed with dielectric grease covering all conductive materials; and properly installed power connections and end caps, sealed with silicone and heat shrink tube.

For the latest product information, updates, instructions and details concerning specifications, colors, finishes, performance, installation and design, visit www.prizmlighting.com. Color may vary from the color printed herein due to limitations in photographic and printing processes. American Lighting Inc. reserves the right to change product specifications without notice. Other product specifications such as color temperature, wavelength characteristics and lumen output are subject to production limitations and may vary.

LED technology is changing rapidly, and not all color temperatures and performance levels can be duplicated at a later time. Best practices include purchasing 10-15% more for a particular project on the same initial order where white LED color temperatures must be maintained over project and product life. Eventual product replacement should be considered at layout and design stages. Best practices also include testing connections and product performance prior to mounting and/or installing.