

LED SPOTLIGHT-CANLESS PUSH AND LOCK TRIMLESS 1", 2", 3" & 4" - CCT SELECTABLE BLACK, WHITE - 38°, 60°, 110° & ZOOMABLE OPTIONS

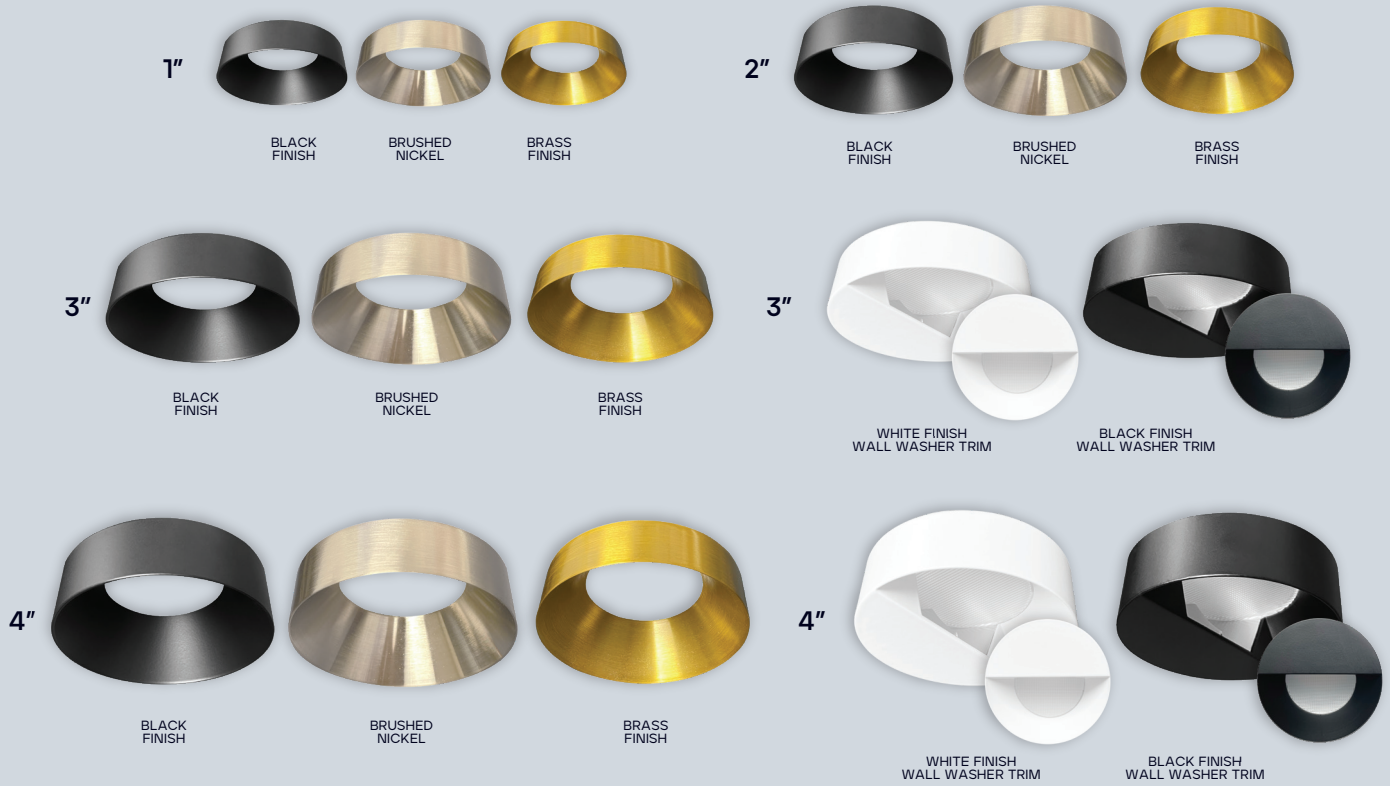


<p>1"</p> <p>LR25430 - 38° LR25431 - 60°</p>	<p>2"</p> <p>LR25445 - 38° LR25446 - 60°</p>	<p>3"</p> <p>LR25450 - 38° LR25455 - 60°</p>	<p>3"</p> <p>LR25451 - 38°</p>
<p>3"</p> <p>LR25433 - 38° GIMBAL</p>	<p>3"</p> <p>LR25454 - 110° FLAT</p>	<p>3"</p> <p>LR25452 - 38° FLOATING GIMBAL</p>	<p>3"</p> <p>LR25410 - 55° PINHOLE</p>
<p>3"</p> <p>LR25453 - 24-50° ZOOMABLE</p>	<p>4"</p> <p>LR25463 - 24-50° ZOOMABLE</p>	<p>4"</p> <p>LR25434 - 36° GIMBAL</p>	<p>4"</p> <p>LR25462 - 38° FLOATING GIMBAL</p>
<p>4"</p> <p>LR25460 - 38° LR25465 - 60°</p>	<p>1", 2", 3" & 4" TRIM REPLACEMENT OPTIONS*</p> <p>BLACK BRUSHED NICKEL BRASS WHITE WALL WASHER BLACK WALL WASHER</p> <p>3" SNOOT OPTIONS*</p> <p>FROST WHITE BRASS FINISH WOODEN FINISH MARBLE FINISH</p>		

*SOLD SEPARATELY

<p>CRI 90</p>	<p>COLOR SELECTABLE</p> <p>2700K 3000K 3500K 4000K 5000K</p>	<p>TRIMLESS</p>	<p>PUSH AND LOCK</p>	<p>IC RATED</p>	<p>DUAL DIMMING TRIAC 0-10V</p> <p>*SELECT MODELS</p>	<p>120-277V</p> <p>*SELECT MODELS</p>	<p>WET LOCATION RATED</p>	<p>5 YEARS WARRANTY</p>
---------------	--	-----------------	----------------------	-----------------	---	---------------------------------------	---------------------------	-------------------------

TRIM REPLACEMENT OPTIONS AVAILABLE*

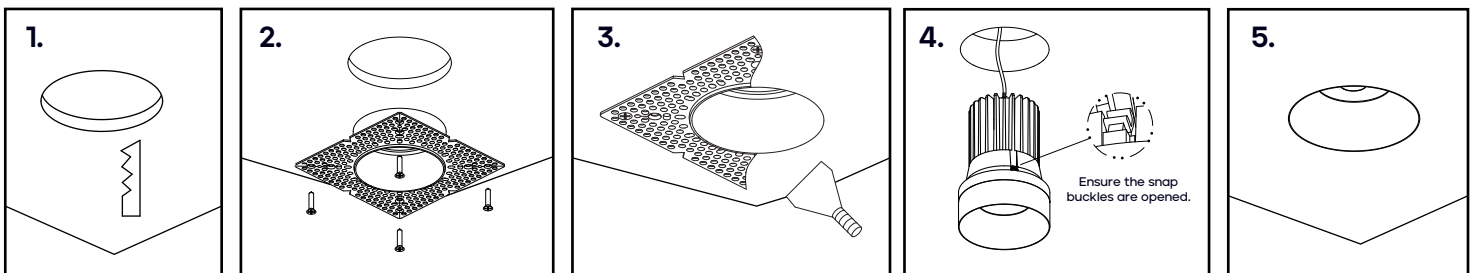


SNOOT OPTIONS AVAILABLE*



*SOLD SEPARATELY

EASY TRIMLESS INSTALLATION



ELECTRICAL

		MODEL	DESCRIPTION	POWER	INPUT VOLTS	DIMMING	EFFICACY	FLOOD	LIFETIME	COST/YR	
1"	WHITE	38° LR25430	LED/TLMD1/5CCT/RD/WT/D2	10	120V	TRIAC	85	38°	50,000	\$ 1.20	
		60° LR25431	LED/TLMD1/5CCT/RD/WT/D2/WFL	10	120V	TRIAC	85	60°	50,000	\$ 1.20	
2"	WHITE	38° LR25445	LED/TLMD2/5CCT/RD/WT/UNV/DD/FL	12	120-277V	TRIAC/0-10V	91	38°	50,000	\$ 1.44	
		60° LR25446	LED/TLMD2/5CCT/RD/WT/UNV/DD/WFL	12	120-277V	TRIAC/0-10V	91	60°	50,000	\$ 1.44	
3"	WHITE	38° LR25450	LED/TLMD3/5CCT/RD/WT/UNV/DD/FL	15	120-277V	TRIAC/0-10V	73	38°	50,000	\$ 1.80	
		60° LR25455	LED/TLMD3/5CCT/RD/WT/UNV/DD/WFL	15	120-277V	TRIAC/0-10V	73	60°	50,000	\$ 1.80	
	BLACK	38° LR25451	LED/TLMD3/5CCT/RD/BK/D	15	120V	TRIAC	73	38°	50,000	\$ 1.80	
4"	WHITE	38° LR25460	LED/TLMD4HO/5CCT/RD/WT/UNV/DD	25	120-277V	TRIAC/0-10V	80	38°	50,000	\$ 3.01	
		60° LR25465	LED/TLMD4HO/5CCT/RD/WT/UNV/DD/WFL	25	120-277V	TRIAC/0-10V	80	60°	50,000	\$ 3.01	
3"	WHITE	PINHOLE	55° LR25410	LED/TLMD3/MICRO/5CCT/RD/WT/UNV/DD/WFL	15	120-277V	TRIAC/0-10V	73	55°	50,000	\$ 1.80
			110° LR25454	LED/TLMD3/FLT/5CCT/RD/WT/UNV/DD	15	120-277V	TRIAC/0-10V	73	110°	50,000	\$ 1.80
		GIMBAL & FLOATING GIMBAL	38° LR25452	LED/TLMD3/FGB/5CCT/RD/WT/D	12	120V	TRIAC	75	38°	50,000	\$ 1.44
			38° LR25433	LED/TLMD3/GB/5CCT/RD/WT/UNV/DD/FL	12	120-277V	TRIAC/0-10V	91	38°	50,000	\$ 1.44
4"	GIMBAL & FLOATING GIMBAL	36° LR25434	LED/TLMD4HO/GB/5CCT/RD/WT/UNV/DD/FL	20	120-277V	TRIAC/0-10V	100	36°	50,000	\$ 2.40	
		38° LR25462	LED/TLMD4HO/FGB/5CCT/RD/WT/UNV/DD	20	120-277V	TRIAC/0-10V	100	38°	50,000	\$ 2.40	
3"	ZOOMABLE	LR25453	LED/TLMD3/5CCT/RD/WT/UNV/DD/ZM	15	120-277V	TRIAC/0-10V	73	24-50°	50,000	\$ 1.80	
4"		LR25463	LED/TLMD4HO/5CCT/RD/WT/UNV/DD/ZM	25	120-277V	TRIAC/0-10V	84	24-50°	50,000	\$ 3.01	

PHOTOMETRIC

MODEL	DESCRIPTION	COLOR (CCT)	TEMP	LUMEN	CRI	ETL	PLATE (KNOCKOUT)
LR25430	LED/TLMD1/5CCT/RD/WT/D2	2700K/3000K/3500K/4000K/5000K	CCT SELECT	850	90	YES	LR41004 (#1) LR41010 (#L1) LR41011 (#0)
LR25431	LED/TLMD1/5CCT/RD/WT/D2/WFL	2700K/3000K/3500K/4000K/5000K	CCT SELECT	850	90	YES	
LR25445	LED/TLMD2/5CCT/RD/WT/UNV/DD/FL	2700K/3000K/3500K/4000K/5000K	CCT SELECT	1000	90	YES	LR41006 (#1) LR41010 (#R0) LR41011 (#1)
LR25446	LED/TLMD2/5CCT/RD/WT/UNV/DD/WFL	2700K/3000K/3500K/4000K/5000K	CCT SELECT	1100	90	YES	
LR25450	LED/TLMD3/5CCT/RD/WT/UNV/DD/FL	2700K/3000K/3500K/4000K/5000K	CCT SELECT	1100	90	YES	LR41004 (#2) LR41006 (#2)
LR25455	LED/TLMD3/5CCT/RD/WT/UNV/DD/WFL	2700K/3000K/3500K/4000K/5000K	CCT SELECT	1100	90	YES	LR41010 (#R0) LR41011 (#3)
LR25451	LED/TLMD3/5CCT/RD/BK/D	2700K/3000K/3500K/4000K/5000K	CCT SELECT	1100	90	YES	
LR25460	LED/TLMD4HO/5CCT/RD/WT/UNV/DD	2700K/3000K/3500K/4000K/5000K	CCT SELECT	2000	90	YES	LR41002 (#1) LR41006 (#3) LR41010 (#R1) LR41011 (#4)
LR25465	LED/TLMD4HO/5CCT/RD/WT/UNV/DD/WFL	2700K/3000K/3500K/4000K/5000K	CCT SELECT	2000	90	YES	
LR25410	LED/TLMD3/MICRO/5CCT/RD/WT/UNV/DD/WFL	2700K/3000K/3500K/4000K/5000K	CCT SELECT	1100	90	YES	
LR25454	LED/TLMD3/FLT/5CCT/RD/WT/UNV/DD	2700K/3000K/3500K/4000K/5000K	CCT SELECT	1100	90	YES	LR41004 (#2) LR41006 (#2)
LR25452	LED/TLMD3/FGB/5CCT/RD/WT/D	2700K/3000K/3500K/4000K/5000K	CCT SELECT	900	90	YES	LR41010 (#R0) LR41011 (#3)
LR25433	LED/TLMD3/GB/5CCT/RD/WT/UNV/DD/FL	2700K/3000K/3500K/4000K/5000K	CCT SELECT	1100	90	YES	

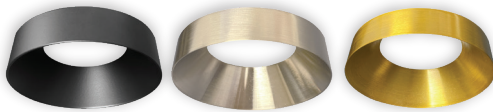
PHOTOMETRIC

MODEL	DESCRIPTION	COLOR (CCT)	TEMP	LUMEN	CRI	ETL	PLATE (KNOCKOUT)
LR25434	LED/TLMD4HO/GB/5CCT/RD/WT/UNV/DD/FL	2700K/3000K/3500K/4000K/5000K	CCT SELECT	2000	90	YES	LR41002 (#1) LR41006 (#3) LR41010 (#R1) LR41011 (#4)
LR25462	LED/TLMD4HO/FGB/5CCT/RD/WT/UNV/DD	2700K/3000K/3500K/4000K/5000K	CCT SELECT	2000	90	YES	
LR25453	LED/TLMD3/5CCT/RD/WT/UNV/DD/ZM	2700K/3000K/3500K/4000K/5000K	CCT SELECT	1100	90	YES	LR41004 (#2) LR41006 (#2) LR41010 (#R0) LR41011 (#3)
LR25463	LED/TLMD4HO/5CCT/RD/WT/UNV/DD/ZM	2700K/3000K/3500K/4000K/5000K	CCT SELECT	2100	90	YES	LR41002 (#1) LR41006 (#3) LR41010 (#R1) LR41011 (#4)

AVAILABLE TRIM REPLACEMENT OPTIONS

*SOLD SEPARATELY

1"

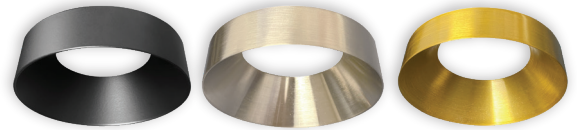


LR25421
BLACK
FINISH

LR25422
BRUSHED
NICKEL

LR25423
BRASS
FINISH

2"

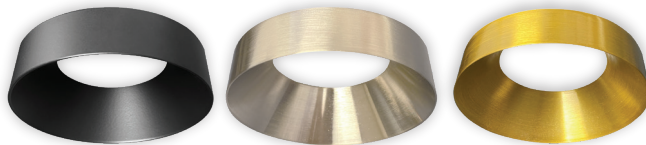


LR25441
BLACK
FINISH

LR25442
BRUSHED
NICKEL

LR25443
BRASS
FINISH

3"

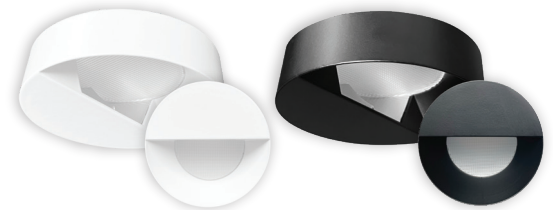


LR25444
BLACK
FINISH

LR25447
BRUSHED
NICKEL

LR25435
BRASS
FINISH

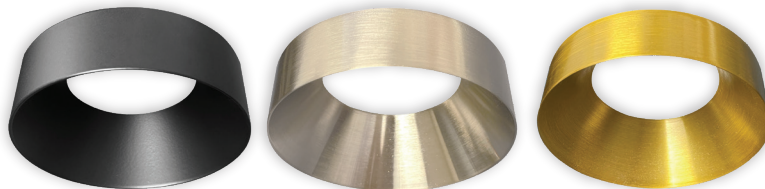
3"



LR25448
WHITE FINISH
WALL WASHER TRIM

LR25449
BLACK FINISH
WALL WASHER TRIM

4"

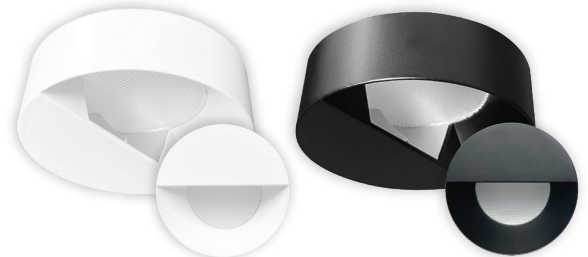


LR25466
BLACK
FINISH

LR25467
BRUSHED
NICKEL

LR25464
BRASS
FINISH

4"



LR25468
WHITE FINISH
WALL WASHER TRIM

LR25469
BLACK FINISH
WALL WASHER TRIM

AVAILABLE TRIM REPLACEMENT OPTIONS

*SOLD SEPARATELY

	MODEL	DESCRIPTION	FINISH
1"	LR25421	LED/TLMD1/5CCT/TRIM/RD/BK	ROUND BLACK
	LR25422	LED/TLMD1/5CCT/TRIM/RD/BN	ROUND BRUSHED NICKEL
	LR25423	LED/TLMD1/5CCT/TRIM/RD/BRS	ROUND BRASS
2"	LR25441	LED/TLMD2/5CCT/TRIM/RD/BK	ROUND BLACK
	LR25442	LED/TLMD2/5CCT/TRIM/RD/BN	ROUND BRUSHED NICKEL
	LR25443	LED/TLMD2/5CCT/TRIM/RD/BRS	ROUND BRASS
3"	LR25435	LED/TLMD3/TRIM/RD/BRS	ROUND BRASS
	LR25444	LED/TLMD3/TRIM/RD/BK	ROUND BLACK
	LR25447	LED/TLMD3/TRIM/RD/BN	ROUND BRUSHED NICKEL
	LR25448	LED/TLMD3/WWTRIM/RD/WT	ROUND WHITE WALL WHASHER
	LR25449	LED/TLMD3/WWTRIM/RD/BK	ROUND BLACK WALL WHASHER
4"	LR25464	LED/TLMD4HO/TRIM/RD/BRS	ROUND BRASS
	LR25466	LED/TLMD4HO/TRIM/RD/BK	ROUND BLACK
	LR25467	LED/TLMD4HO/TRIM/RD/BN	ROUND BRUSHED NICKEL
	LR25468	LED/TLMD4HO/WWTRIM/RD/WT	ROUND WHITE WALL WHASHER
	LR25469	LED/TLMD4HO/WWTRIM/RD/BK	ROUND BLACK WALL WHASHER

AVAILABLE SNOOT OPTIONS

*SOLD SEPARATELY



3"

LR25415
FROST WHITE
SNOOT



3"

LR25416
BRASS FINISH
SNOOT



3"

LR25417
WOOD FINISH
SNOOT



3"

LR25418
MARBLE FINISH
SNOOT

SQUARE PLASTER FRAME OPTIONS

*SOLD SEPARATELY

MODEL	DESCRIPTION	TYPE	FINISH
LR25415	LED/TLMD3/SNOOT/FR	3" SNOOT	FROST WHITE
LR25416	LED/TLMD3/SNOOT/BRS	3" SNOOT	BRASS
LR25417	LED/TLMD3/SNOOT/WOOD	3" SNOOT	WOOD
LR25418	LED/TLMD3/SNOOT/MRBL	3" SNOOT	MARBLE

1" MULTI-HEAD PLASTER FRAME

*SOLD SEPARATELY



LR25400
2 HEAD - PLASTER FRAME FOR 1"
CUTOUT: 5.5" x 2.5"
WORKS WITH:
LR41014 KNOCKOUT #1



LR25401
3 HEAD - PLASTER FRAME FOR 1"
CUTOUT: 8.5" x 2.5"



LR25402
4 HEAD - PLASTER FRAME FOR 1"
CUTOUT: 5.5" x 5.5"
WORKS WITH:
LR41005 KNOCKOUT #2

2" MULTI-HEAD PLASTER FRAME

*SOLD SEPARATELY



LR25403
2 HEAD - PLASTER FRAME FOR 2"
CUTOUT: 6.5" x 3"
WORKS WITH:
LR41007 KNOCKOUT # 0



LR25404
3 HEAD - PLASTER FRAME FOR 2"
CUTOUT: 10" x 3"
WORKS WITH:
LR41007 KNOCKOUT # 1



LR25405
4 HEAD - PLASTER FRAME FOR 2"
CUTOUT: 6.5" x 6.5"

3" MULTI-HEAD PLASTER FRAME

*SOLD SEPARATELY



LR25457
2 HEAD - PLASTER FRAME FOR 3"
CUTOUT: 7" x 3.38"
WORKS WITH:
LR41007 KNOCKOUT #0



LR25458
3 HEAD - PLASTER FRAME FOR 3"
CUTOUT: 10.62" x 3.38"



LR25459
4 HEAD - PLASTER FRAME FOR 3"
CUTOUT: 7" x 7"

4" MULTI-HEAD PLASTER FRAME

*SOLD SEPARATELY



LR25406
2 HEAD - PLASTER FRAME FOR 4"
CUTOUT: 9.5" x 4.5"



LR25407
3 HEAD - PLASTER FRAME FOR 4"
CUTOUT: 14.75" x 4.5"



LR25408
4 HEAD - PLASTER FRAME FOR 4"
CUTOUT: 9.5" x 9.5"

MULTI-HEAD PLASTER FRAME OPTIONS

*SOLD SEPARATELY

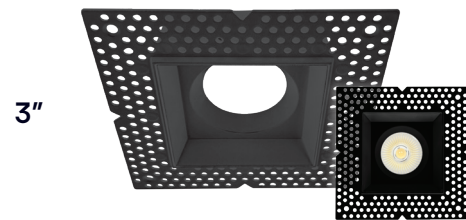
MODEL	DESCRIPTION	TYPE	FINISH
LR25400	LED/TLMD1/PLT/2HD/WT	1" - 2 HEAD - PLASTER FRAME	WHITE
LR25401	LED/TLMD1/PLT/3HD/WT	1" - 3 HEAD - PLASTER FRAME	WHITE
LR25402	LED/TLMD1/PLT/4HDS/WT	1" - 4 HEAD - PLASTER FRAME	WHITE
LR25403	LED/TLMD2/PLT/2HD/WT	2" - 2 HEAD - PLASTER FRAME	WHITE
LR25404	LED/TLMD2/PLT/3HD/WT	2" - 3 HEAD - PLASTER FRAME	WHITE
LR25405	LED/TLMD2/PLT/4HDS/WT	2" - 4 HEAD - PLASTER FRAME	WHITE
LR25457	LED/TLMD3/PLT/2HD/WT	3" - 2 HEAD - PLASTER FRAME	WHITE
LR25458	LED/TLMD3/PLT/3HD/WT	3" - 3 HEAD - PLASTER FRAME	WHITE
LR25459	LED/TLMD3/PLT/4HDS/WT	3" - 4 HEAD - PLASTER FRAME	WHITE
LR25406	LED/TLMD4/PLT/2HD/WT	4" - 2 HEAD - PLASTER FRAME	WHITE
LR25407	LED/TLMD4/PLT/3HD/WT	4" - 3 HEAD - PLASTER FRAME	WHITE
LR25408	LED/TLMD4/PLT/4HDS/WT	4" - 4 HEAD - PLASTER FRAME	WHITE

SQUARE PLASTER FRAME

*SOLD SEPARATELY



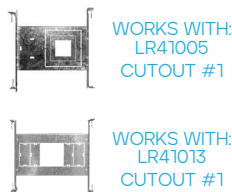
LR25424
SQUARE PLASTER FRAME FOR 3"
CUTOUT: 3.22" x 3.22"



LR25425
SQUARE PLASTER FRAME FOR 3"
CUTOUT: 3.22" x 3.22"



LR25428
SQUARE PLASTER FRAME FOR 4"
CUTOUT: 4.33" x 4.33"



WORKS WITH:
LR41005
CUTOUT #1

WORKS WITH:
LR41013
CUTOUT #1



LR25429
SQUARE PLASTER FRAME FOR 4"
CUTOUT: 4.33" x 4.33"

SQUARE PLASTER FRAME OPTIONS

*SOLD SEPARATELY

MODEL	DESCRIPTION	TYPE	FINISH
LR25424	LED/TLMD3/TRIM/MESH/SQ/WT	SQUARE PLASTER FRAME	WHITE
LR25425	LED/TLMD3/TRIM/MESH/SQ/BK	SQUARE PLASTER FRAME	BLACK
LR25428	LED/TLMD4HO/TRIM/MESH/SQ/WT	SQUARE PLASTER FRAME	WHITE
LR25429	LED/TLMD4HO/TRIM/MESH/SQ/BK	SQUARE PLASTER FRAME	BLACK

120-277V DRIVER

*SOLD SEPARATELY

	MODEL	DESCRIPTION	POWER	INPUT
15W	LR25456	LED/TLMD3/5CCT/UNV/DD/DRIVER	15	120-277V



WIRE EXTENDER

*SOLD SEPARATELY


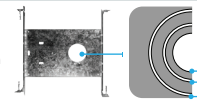
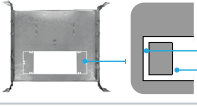
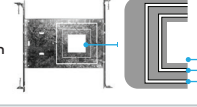
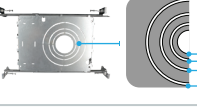
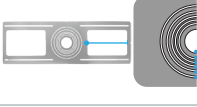
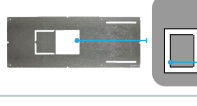
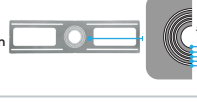

48"
LR25426
LED/TLMD/48WIRE/EXT



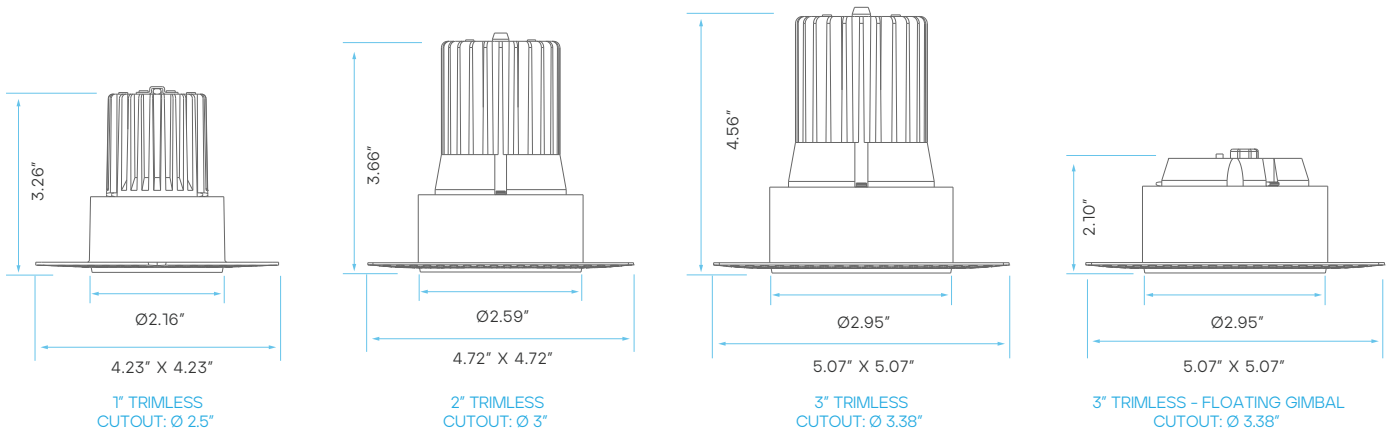
120"
LR25427
LED/TLMD/120WIRE/EXT



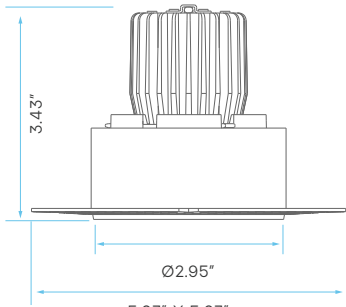
COMPATIBILITY

<p>LR35126 Emergency LED Driver</p> 	<p>LR41002 New Construction Mounting Plate</p>  <p>KNOCKOUTS</p> <ul style="list-style-type: none"> #0 #1 #2 <p>KNOCKOUT SIZE</p> <ul style="list-style-type: none"> #0 Ø3.14" (Ø80 mm) #1 Ø4.33" (Ø110 mm) #2 Ø6.29" (Ø160 mm)
<p>LR41007 New Construction Mounting Plate</p>  <p>KNOCKOUTS</p> <ul style="list-style-type: none"> #0 #1 <p>KNOCKOUT SIZE</p> <ul style="list-style-type: none"> #0 7.36"x3.74" (187x95mm) #1 10.82"x3.74" (275x95 mm) 	<p>LR41005 New Construction Mounting Plate</p>  <p>KNOCKOUTS</p> <ul style="list-style-type: none"> #0 #1 #2 <p>KNOCKOUT SIZE</p> <ul style="list-style-type: none"> #0 2.75"x2.75" (70 mm) #1 4.25"x4.25" (108 mm) #2 6.29"x6.29" (160 mm)
<p>LR41004 New Construction Mounting Plate</p>  <p>KNOCKOUTS</p> <ul style="list-style-type: none"> #0 #1 #2 #3 <p>KNOCKOUT SIZE</p> <ul style="list-style-type: none"> #0 Ø2.125" (Ø54 mm) #1 Ø2.83" (Ø72 mm) #2 Ø3.75" (Ø95 mm) #3 Ø5.19" (Ø132 mm) 	<p>LR41006 New Construction Mounting Plate</p>  <p>KNOCKOUTS</p> <ul style="list-style-type: none"> #0 #1 #2 #3 #4 #5 <p>KNOCKOUT SIZE</p> <ul style="list-style-type: none"> #0 Ø2.12" (Ø54 mm) #1 Ø3.15" (Ø80 mm) #2 Ø3.75" (Ø95 mm) #3 Ø4.25" (Ø108 mm) #4 Ø5.25" (Ø132 mm) #5 Ø6.25" (Ø159 mm)
<p>LR41014 New Construction Mounting Plate</p>  <p>KNOCKOUTS</p> <ul style="list-style-type: none"> #0 #1 <p>KNOCKOUT SIZE</p> <ul style="list-style-type: none"> #0 2.95"x2.95" (75x75mm) #1 2.95"x5.7" (75x145 mm) 	<p>LR41011 New Construction Mounting Plate</p>  <p>KNOCKOUTS</p> <ul style="list-style-type: none"> #0 #1 #2 #3 #4 <p>KNOCKOUT SIZE</p> <ul style="list-style-type: none"> #0 Ø2.48" (Ø63 mm) #1 Ø2.83" (Ø72 mm) #2 Ø3.34" (Ø85 mm) #3 Ø3.74" (Ø95 mm) #4 Ø4.25" (Ø108 mm)
<p>LR41010 New Construction Mounting Plate</p>  <p>KNOCKOUT SIZE</p> <ul style="list-style-type: none"> #L0 Ø2.12" (Ø54 mm) #L1 Ø2.83" (Ø72 mm) #L2 Ø3.75" (Ø95mm) 	<p>KNOCKOUTS</p> <ul style="list-style-type: none"> #0 #1 #2 #3 <p>KNOCKOUT SIZE</p> <ul style="list-style-type: none"> #R0 Ø3.25" (Ø82 mm) #R1 Ø4.33" (Ø110 mm) #R2 Ø5.25" (Ø132mm) #R3 Ø6.25" (Ø160 mm)

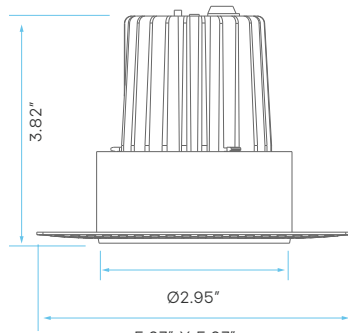
DIMENSIONS



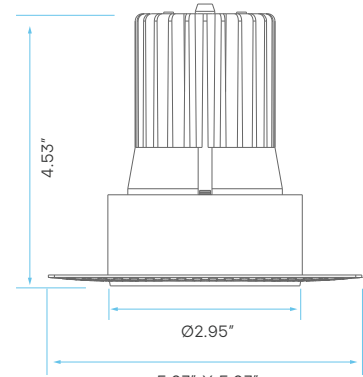
DIMENSIONS



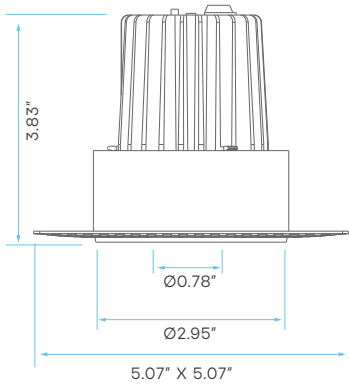
3" TRIMLESS - GIMBAL
CUTOUT: Ø 3.38"



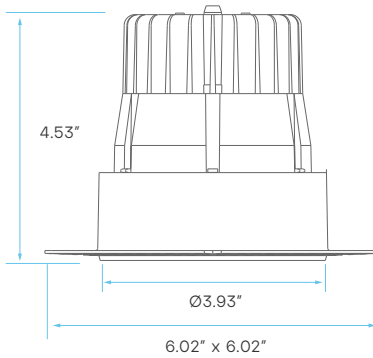
3" TRIMLESS - FLAT
CUTOUT: Ø 3.38"



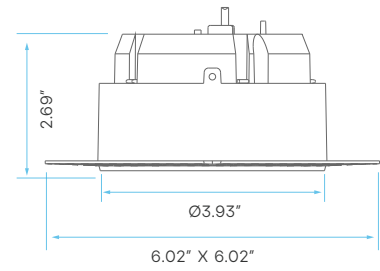
3" TRIMLESS - ZOOMABLE
CUTOUT: Ø 3.38"



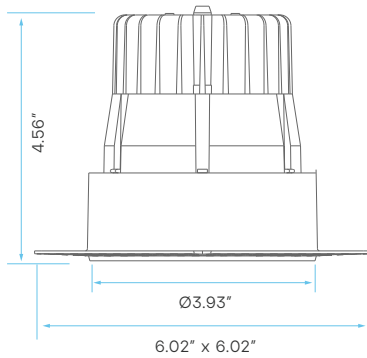
3" TRIMLESS - PINHOLE
CUTOUT: Ø 3.38"



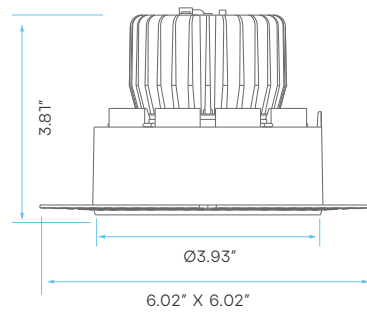
4" TRIMLESS - ZOOMABLE
CUTOUT: Ø 4.25"



4" TRIMLESS - FLOATING GIMBAL
CUTOUT: Ø 4.25"



4" TRIMLESS
CUTOUT: Ø 4.25"



4" TRIMLESS
GIMBAL
CUTOUT: Ø 4.25"