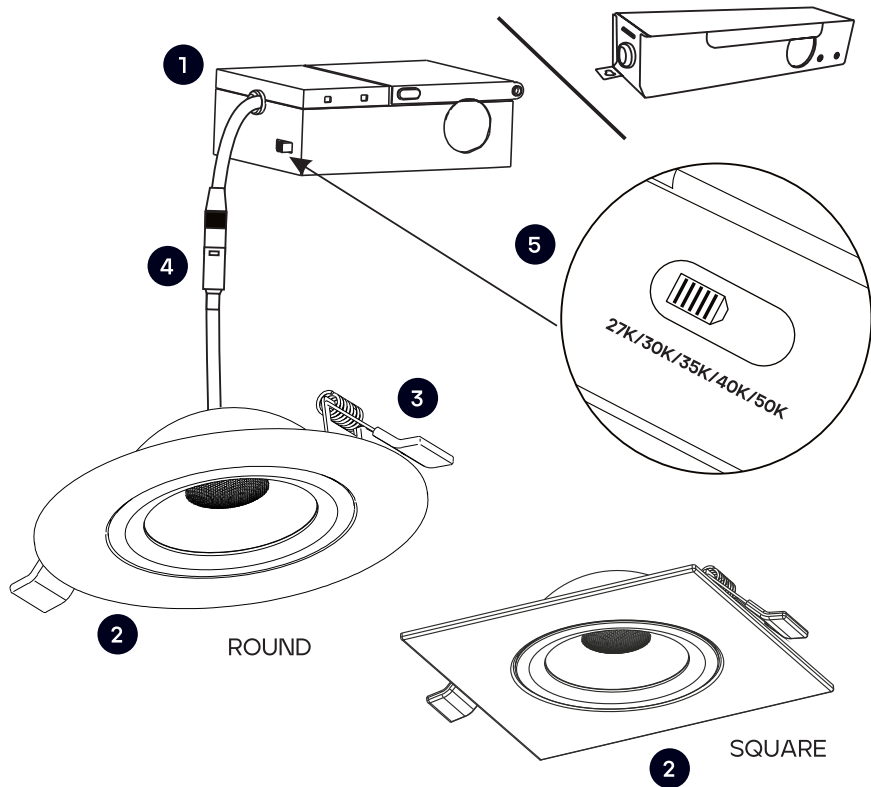


## 2", 3", 4" LED FLOATING GIMBAL CANLESS SPOTLIGHT - 5CCT SELECTABLE LR23330, LR23331, LR23332, LR23335

### IMPORTANT

READ ALL INSTRUCTIONS IN ORDER TO ENSURE SAFETY AND PROPER INSTALLATION.



### PART LIST

- 1 JUNCTION BOX
- 2 LIGHT FIXTURE
- 3 SPRING CLIPS
- 4 CONNECTOR
- 5 5CCT SWITCH

### MAINTENANCE

DO NOT MODIFY THIS FIXTURE. ANY MODIFICATIONS MAY RENDER THE PRODUCT UNSAFE AND VOID WARRANTY. THIS PRODUCT IS SUITABLE FOR DAMP LOCATIONS.

### LIMITED WARRANTY

THE WARRANTY APPLIES TO THE PRODUCT FROM THE ORIGINAL DATE OF PURCHASE FOR THREE (3) YEARS AGAINST MANUFACTURING DEFECTS. THE OWNER MUST PROVIDE A COPY OF THE ORIGINAL PROOF OF PURCHASE. THE MANUFACTURER'S OBLIGATION UNDER THIS WARRANTY IS LIMITED TO REPAIRING OR REPLACING THE COMPONENT. IT IS NOT RELATED IN ANY WAY TO THE COST OF THE CONNECTION, THE INSTALLATION OF THE REPLACEMENT PARTS OR COST OF TRANSPORT.

### ⚠ WARNING

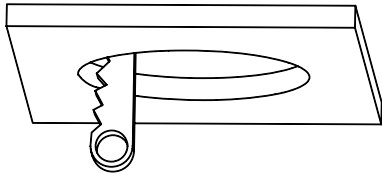
Turn power OFF from electrical panel before installation or maintenance

### INSTRUCTIONS

1. TURN POWER OFF FROM THE ELECTRICAL PANEL PRIOR TO INSTALLATION.
2. DETERMINE THE LOCATION FOR INSTALLATION AND CUT CEILING HOLE IN ACCORDANCE WITH CUT-HOLE DIMENSIONS. REFER TO HOLE DIAMETER TABLE FOR APPROPRIATE SIZES. (FIG. 1)
3. INSERT THE ELECTRICAL SUPPLY CABLE THROUGH THE KNOCKOUT AND SECURE WITH A CABLE CONNECTOR (SOLD SEPARATELY).
4. USING QUICK-CONNECT PUSH-IN TERMINALS, CONNECT THE GROUND WIRE TO THE GREEN WIRE TERMINAL; BLACK WIRE TO BLACK WIRE TERMINAL; WHITE WIRE TO WHITE WIRE TERMINAL. (FIG. 2)
5. PLACE ALL WIRING AND CONNECTIONS BACK INTO THE BOX AND CLOSE THE COVER. CONNECT THE DRIVER TO THE LIGHT PANEL.
6. OPEN THE JUNCTION BOX COVER AND SELECT THE LIGHT COLOR TEMPERATURE: 2700K-3000K-3500K-4000K-5000K. (FIG. 2)
7. INSERT JUNCTION BOX THROUGH THE MOUNTING HOLE. (FIG. 3)
8. PUSH SPRING-LOADED CLIPS ON THE FIXTURE UPWARDS AND INSERT FIXTURE BASE INTO THE MOUNTING HOLE. RELEASE THE CLIPS AND FIXTURE WILL BE PULLED FLUSH TO THE CEILING. (FIG. 4)
9. ADJUST THE LIGHT DIRECTION TO FIT ANY SCENARIO.

## 2", 3", 4" LED FLOATING GIMBAL CANLESS SPOTLIGHT - 5CCT SELECTABLE LR23330, LR23331, LR23332, LR23335

Fig: 1



Hole diameter

2"	2.75" (70mm)
3"	3.5" (90mm)
4"	4" (102mm)

Fig: 2

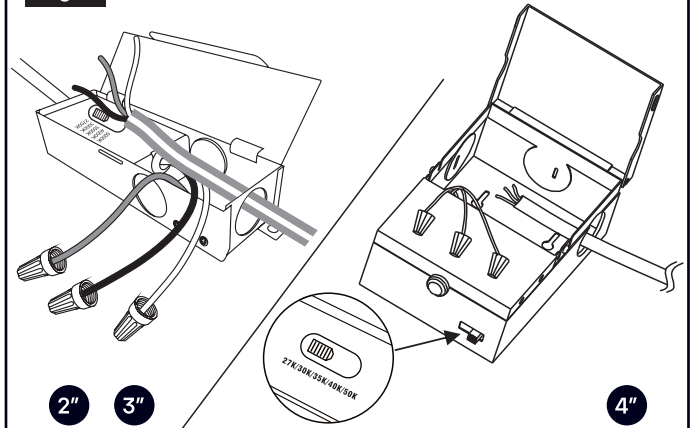


Fig: 3

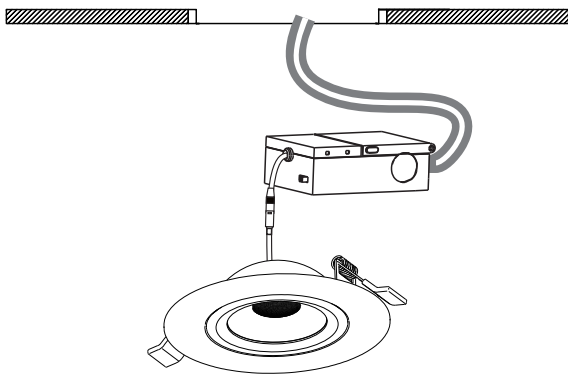


Fig: 4

