



# RB5 LED ROUND HIGH BAY

## INSTALLATION INSTRUCTIONS

### ⚠ CAUTION

PLEASE READ INSTRUCTIONS BEFORE COMMENCING INSTALLATION AND RETAIN FOR FUTURE REFERENCE.  
Electrical products can cause death or injury, or damage to property. If in any doubt about the installation or use of this product, consult a competent electrician.

### ⚠ WARNING

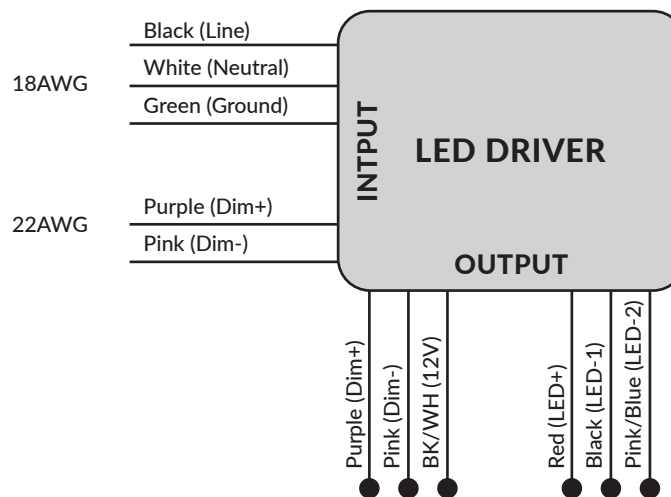
1. To reduce the risk of death, personal injury or property damage from fire, electric shock, falling parts, cuts/abrasions, and other hazards read all warnings and instructions included with and on the fixture box and all fixture labels.
2. Before installing, servicing, or performing routine maintenance on this luminaire, follow these general precautions.
3. Installation, service and maintenance of luminaires should be performed by a qualified licensed electrician.
4. For the installation: If you are unsure about the installation or maintenance of the luminaire, consult a qualified licensed electrician and check your local electrical code.
5. To prevent wiring damage or abrasion, do not expose wiring to edges of sheet metal or other sharp objects.
6. Please keep the UFO High bay away from any corrosive substance. When you clean it, please use damp or dry cloth.

### ⚠ WARNING

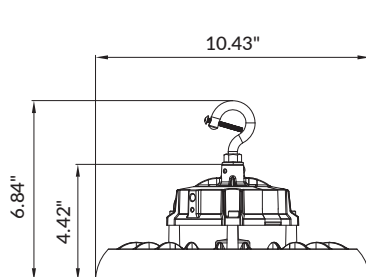
1. Turn off electrical power at fuse or circuit breaker box before wiring fixture to the power supply.
2. Turn off the power when you perform any maintenance.
3. Verify that supply voltage is correct by comparing it with the luminaire label information.
4. All wiring connections should be capped with UL approved wire connectors.
5. Suitable for Wet Locations

## General Wiring Diagram

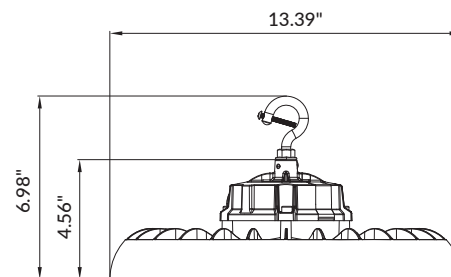
INPUT: 120-277V, 50/60Hz or  
INPUT: 277-480V, 50/60Hz



## Product Dimensions



RB5S



RB5L



# RB5 LED ROUND HIGH BAY

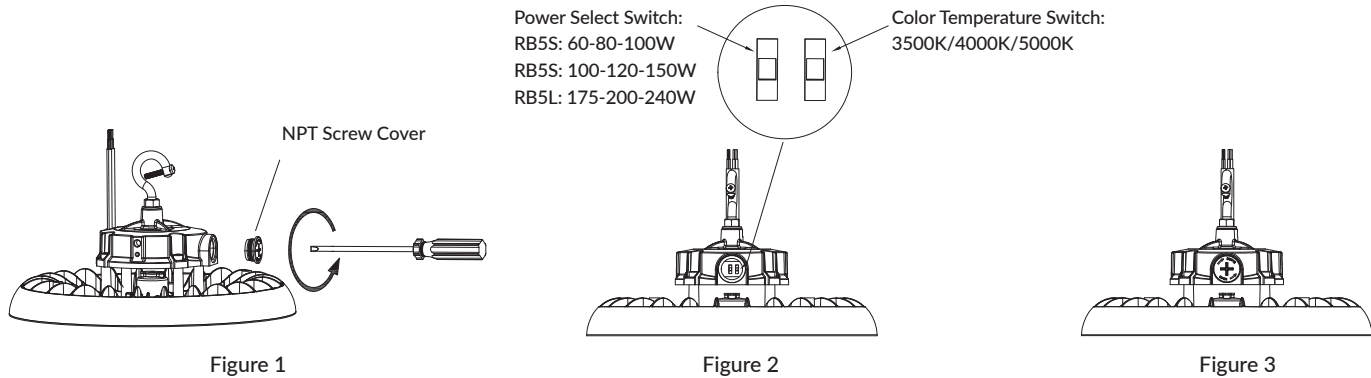
## INSTALLATION INSTRUCTIONS

### Installation Guides

#### TURN OFF POWER FROM MAIN CIRCUIT BREAKER

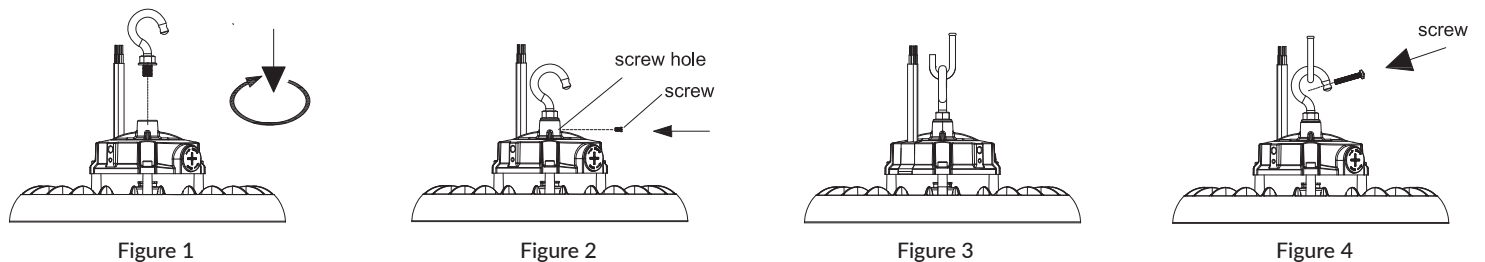
#### CCT & POWER SELECTED OPERATION

- Remove the NPT Screw Cover from the side of the driver using a screwdriver (Figure 1).
- Select the color temperature and output wattage by sliding the CCT /power select switches (Figure 2).
- Lock back the NPT Screw Cover with a screwdriver (Figure 3).
- Default Factory Setting: Max. Power, 5000K



#### SUSPENDED MOUNTING

- Screw the hook to the driver housing (Figure 1).
- Tighten the provided screw to secure the hook to driver housing (Figure 2).
- Hang the fixture to customer supplied chain or mounting hardware (Figure 3).
- Tighten hook's screw to secure the installation. (Figure 4).
- Make appropriate electrical connections (Refer to General Wiring Diagram).



#### SENSOR INSTALLATION (OPTIONAL)

- Remove the NPT screw cover from the fixture center using a screwdriver (Figure 1).
- Plug the sensor into the headphone jack and twist to lock it securely (Figure 2).
- Finished result as shown in (Figure 3).

