

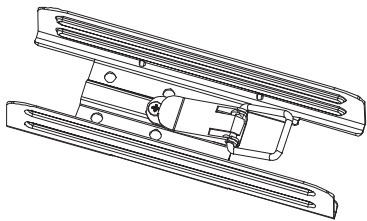
6' LED ARCHITECTURAL LINKABLE LINEAR 3 CCT/3 WATTAGE/ UP-DOWN SELECTABLE LR42612, LR42613

IMPORTANT SAFETY INSTRUCTIONS

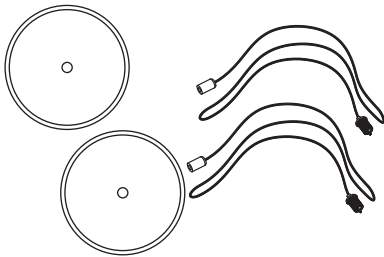
1. Read these instructions carefully before installation.
2. Installation should be in accordance with the national and local electrical laws and regulations.
3. Product should be installed by a qualified and licensed electrician.
4. DO NOT install in humid places, for dry and non-humid environments only.
5. Always turn off the power supply before installation or maintenance.
6. To reduce the risk of fire and overheating, make sure all connections are tight and secure.
7. Fixtures should not be covered with thermal insulation pads or similar materials under any circumstance.

BOX CONTENTS

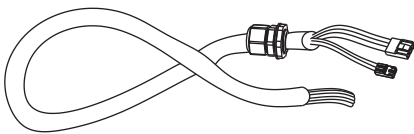
- STRAIGHT LINK BRACKET (1)



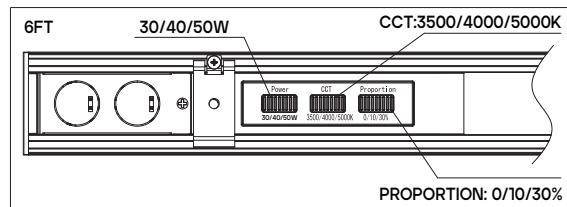
- SUSPENSION KIT WITH CANOPY (2)



- POWER FEED (1)

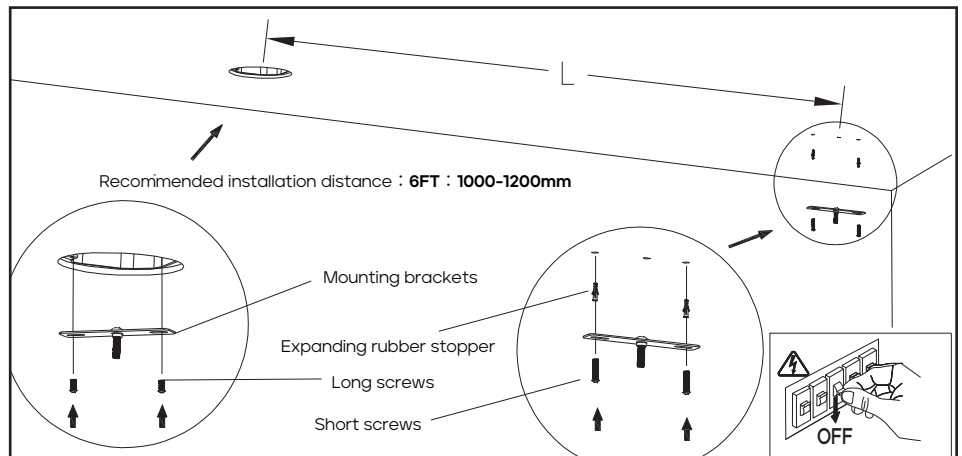


3 CCT/3 WATTAGE/UP-DOWN SWITCH

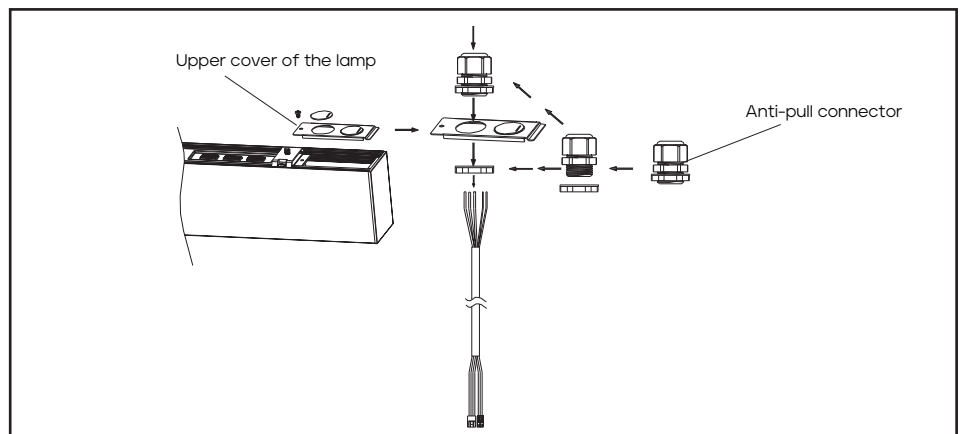


INSTRUCTIONS

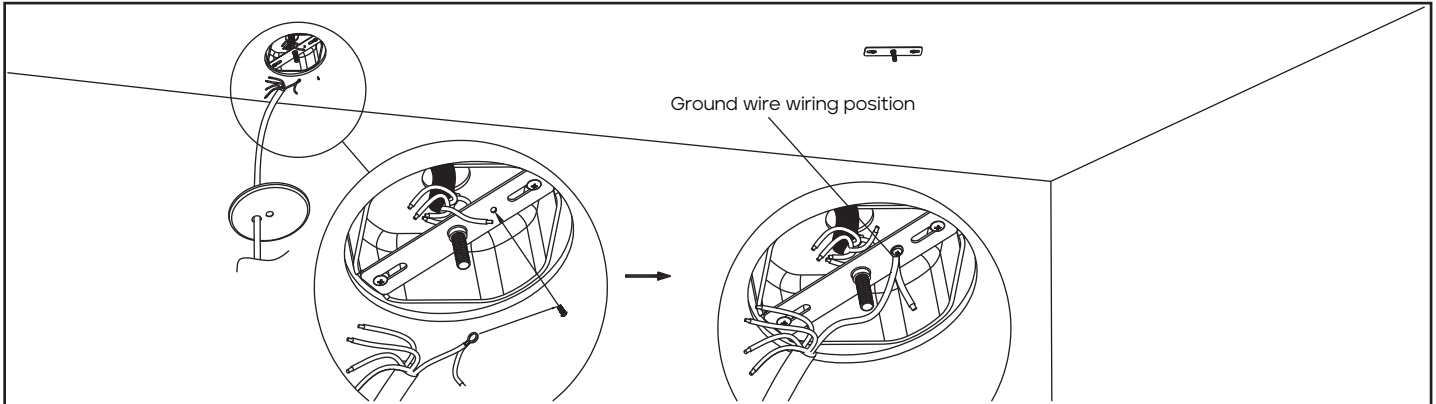
1. Turn off the power before installation, check whether the mounting surface is firm, and then fix the mounting bracket on the mounting surface.



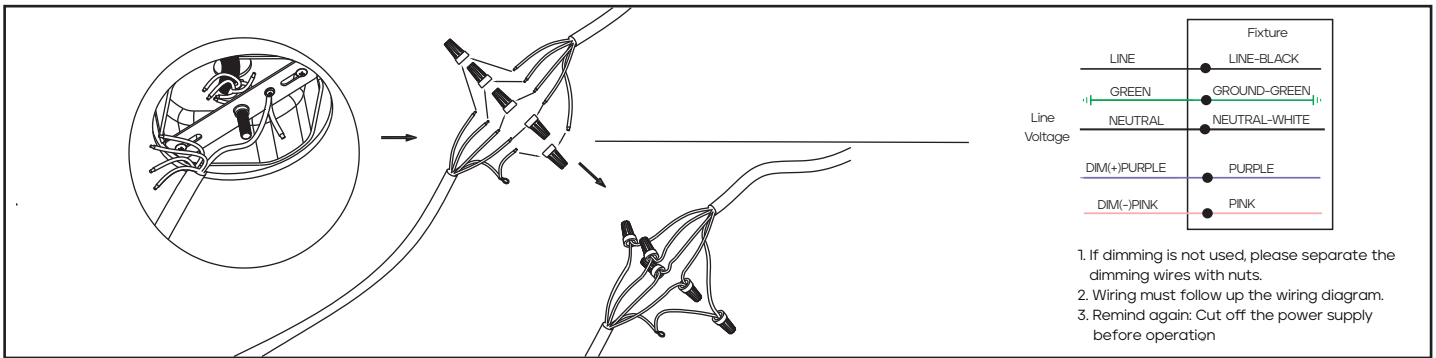
2. Remove the upper cover of the lamp, remove the anti-pull connector, and pass the power cord through in sequence as shown below.



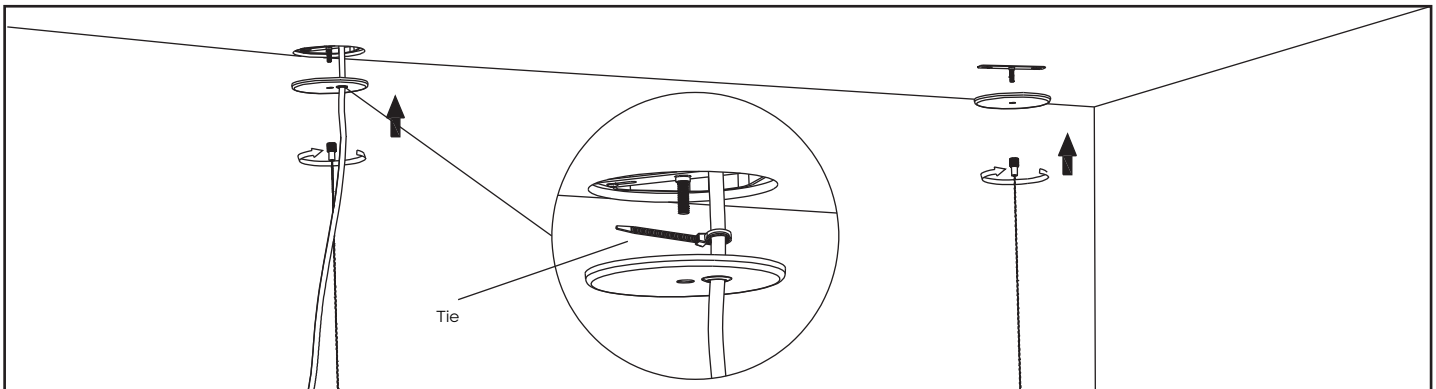
3. Pass the power cord through the two-hole hanging plate, twist the main end ground wire and the ground wire on the power cord assembly together and fix them on the installation bracket using the screws.



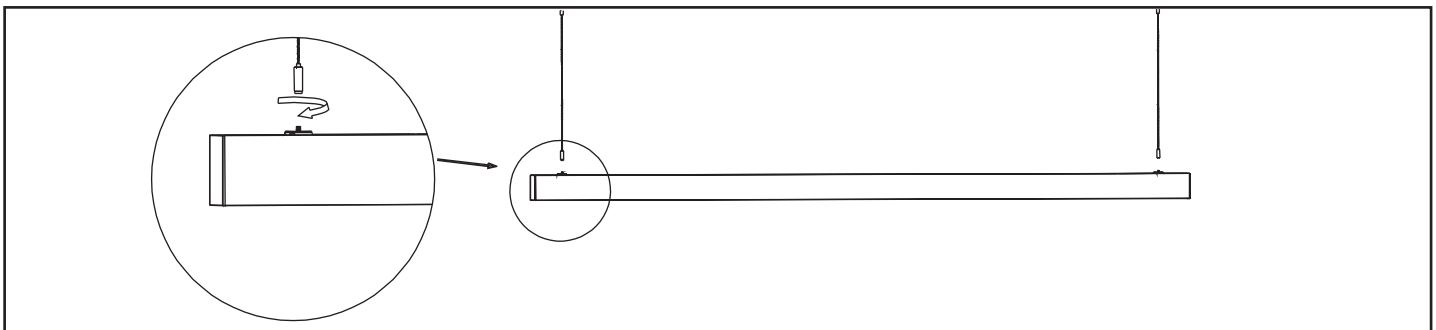
4. Wiring according to usage requirements



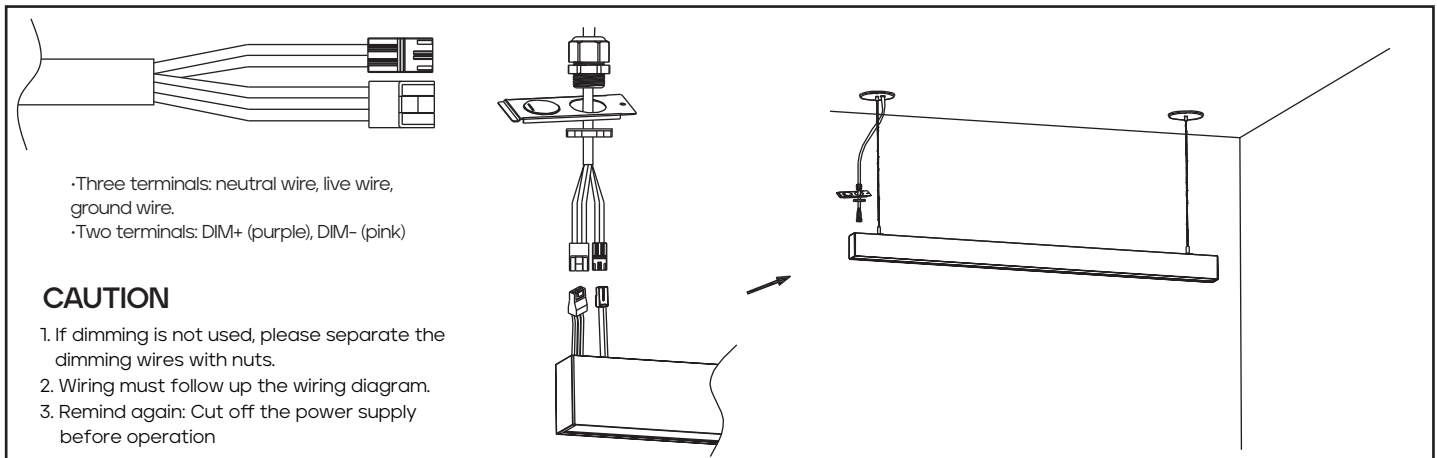
5. Use one end of the hanging rope and screw it into the mounting bracket to fix the hanging plate.



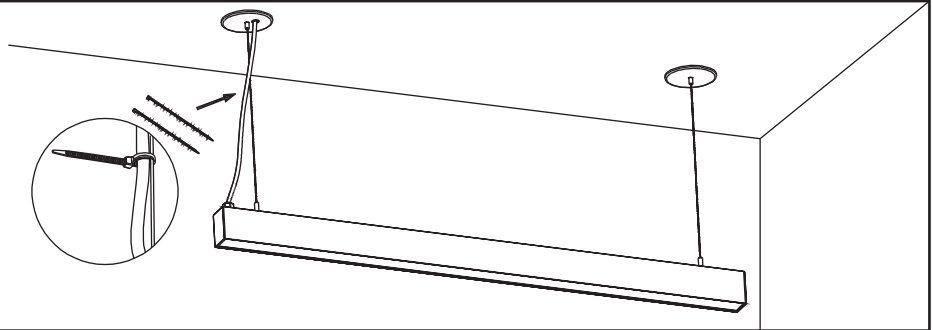
6. The other end of the hanging rope assembly fixes the lamp body



7. Use cable ties to organize the sling and power cord, and the installation is complete.

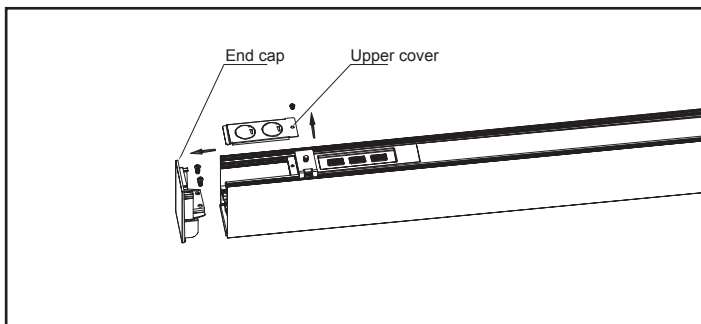


8. The installation is completed after wiring according to the wiring section of the hoisting installation instructions.

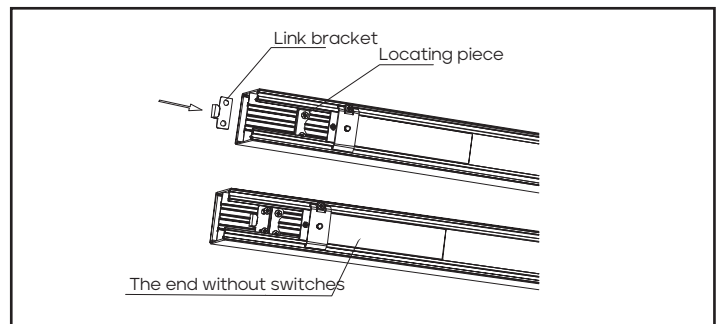


STRAIGHT LINK BRACKET INSTRUCTIONS

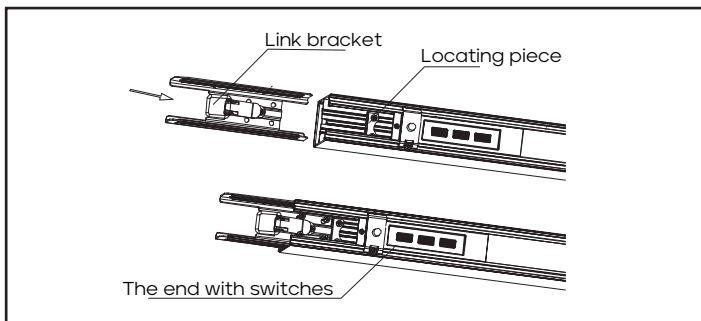
1. Remove the end cap and upper cover from fixture



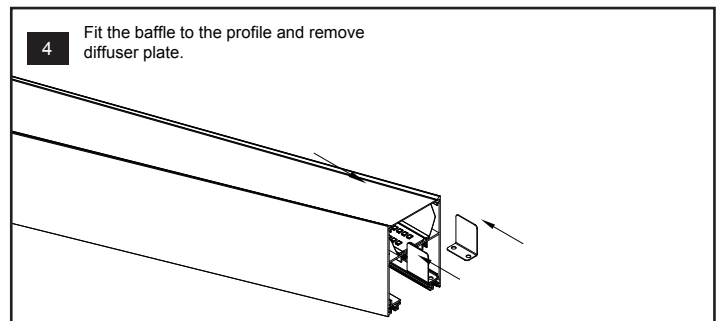
2. Slide the link bracket into locating piece, then lock it with screws.



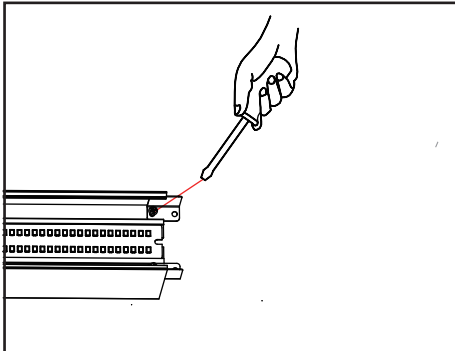
3. Slid the link bracket into locating piece of the other fixture, then lock it with screws.



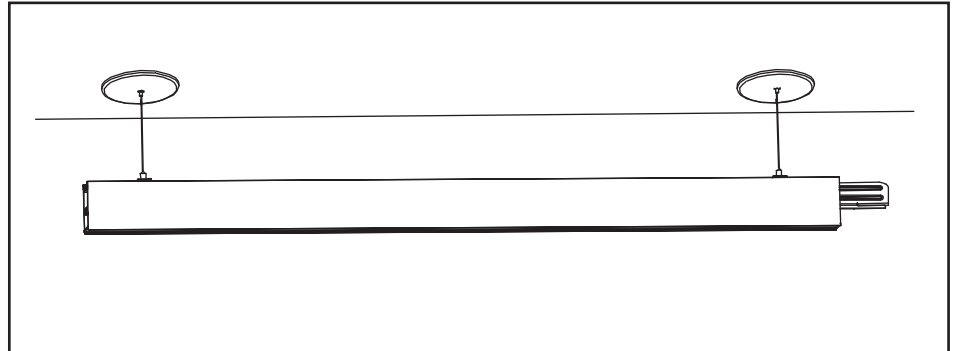
4. Fit the baffle to the profile and remove diffuser plate.



5. Tighten the screws on the baffle.



6. Suspend the fixture to the ceiling, please refer to the pendant mounting instructions.



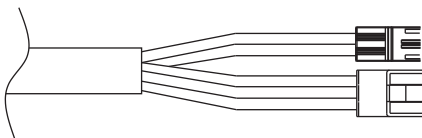
7. Plug two fixtures as shown in the figure, insert the splicing bracket A to the splicing bracket B, then pull the lock buckle to splice two fixtures.

Adjust the lifting bracket in the fixture to a suitable position for suspending and linking

Under 120V line voltage, connect up to maximum of 40'. If the linking length is over 24', please use the roll out lens for seamless connection.

Under 277V line voltage, connect up to maximum of 100'. If the linking length is over 24', please use the roll out lens for seamless connection.

8.

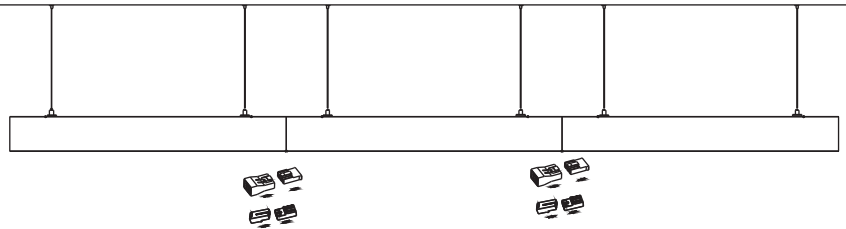


- Three terminals: neutral wire, live wire, ground wire.
- Two terminals: DIM+ (purple), DIM- (pink)

CAUTION

1. If dimming is not used, please separate the dimming wires with nuts.
2. Wiring must follow up the wiring diagram.
3. Remind again: Cut off the power supply before operation

8.1 Make electrical connection with male-female connectors



8.2 Wiring according to hanging installation manual.

