

3 CCT & WATTAGE SELECTABLE LED WALLPACK CUBE LR40613

WARNING - READ ALL INSTRUCTIONS BEFORE ATTEMPTING INSTALLATION

- WIRING TO THE FIXTURE MUST COMPLY WITH THE NATIONAL ELECTRICAL CODE AND ALL APPLICABLE LOCAL CODES. PROPER GROUNDING IS REQUIRED FOR SAFETY. THIS PRODUCT MUST BE INSTALLED IN ACCORDANCE WITH APPLICABLE INSTALLATION CODES BY A PERSON FAMILIAR WITH THE CONSTRUCTION AND OPERATION OF THE PRODUCT AND THE HAZARDS INVOLVED.

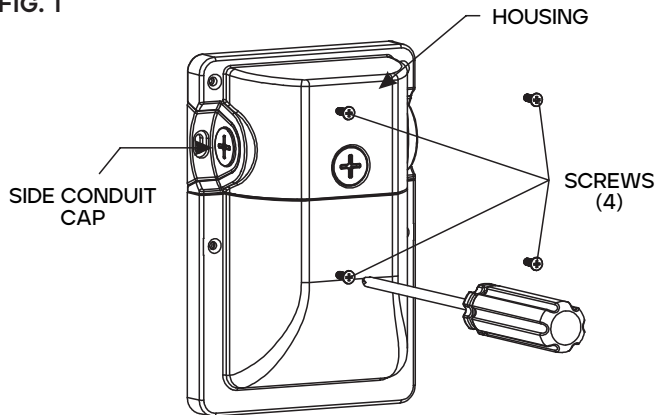
WARNING - BEFORE INSTALLING OR SERVICING THE LIGHT FIXTURE, MAKE SURE THE POWER IS TURNED OFF. THERE ARE NO USER-SERVICEABLE PARTS INSIDE.

WARNING - DO NOT USE A GENERATOR TO TEST LED FIXTURES.

WARNING - POWER SUPPLY CONDUCTOR TEMPERATURE IS MINIMUM 90°C

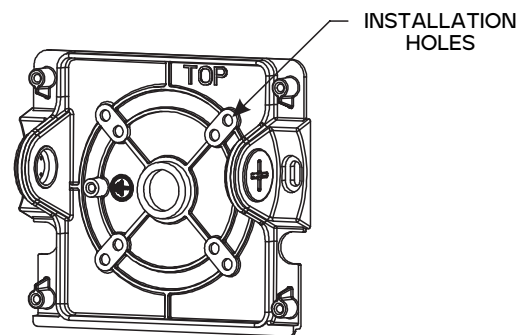
WALL MOUNT INSTALLATION

FIG. 1



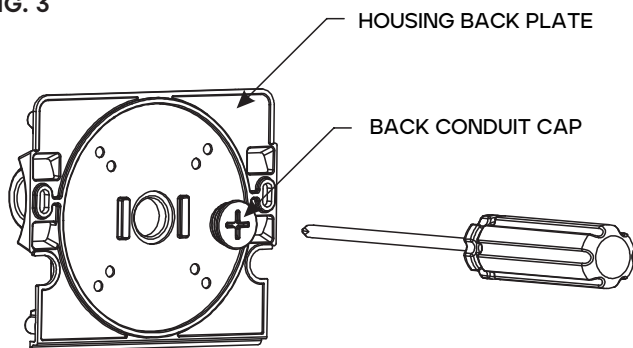
1. LOOSEN HOUSING SIDE SCREWS (4) AS SHOWN IN FIG. 1

FIG. 2



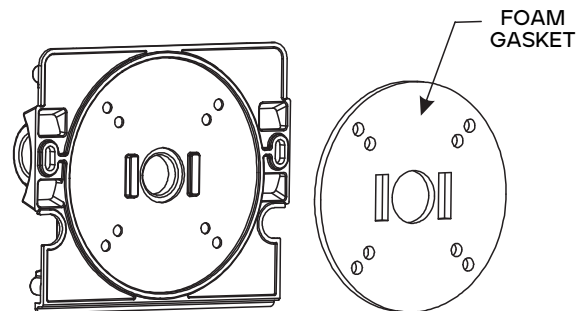
2. DRILL THROUGH INSTALLATION HOLES AS SHOWN IN FIG. 2

FIG. 3



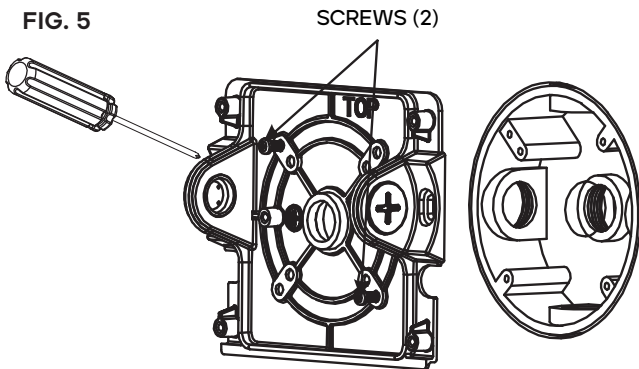
3. REMOVE HOUSING BACK PLATE AND UNSCREW BACK CONDUIT CAP WITH A SCREWDRIVER AS SHOWN IN FIG. 3.

FIG. 4



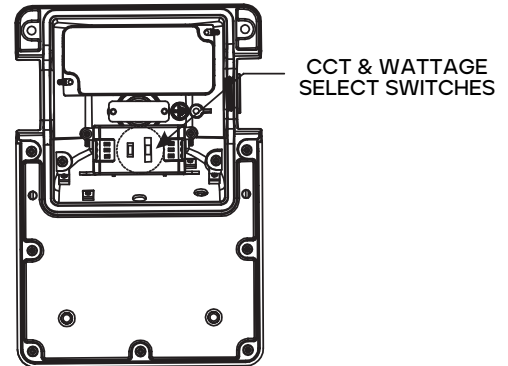
4. APPLY FOAM GASKET (PROVIDED) TO EXTERNAL SURFACE OF THE HOUSING BACK PLATE BY REMOVING YELLOW PLASTIC FILM AND ADHERING TO HOUSING BACK PLATE AS SHOWN IN FIG. 4

FIG. 5



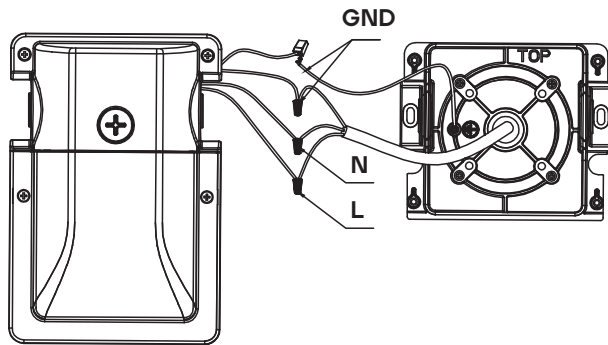
5. MOUNT HOUSING BACK PLATE TO SURFACE OR JUNCTION BOX (NOT INCLUDED) AND SECURE WITH (2) SCREWS (NOT INCLUDED) AS SHOWN IN FIG. 5

FIG. 6



6. ADJUST THE POWER AND COLOR TEMPERATURE OF THE LIGHT FIXTURE ACCORDING TO YOUR NEEDS, AS SHOWN IN FIG. 6

FIG. 7



7. FEED SUPPLY WIRES THROUGH HOUSING BACK PLATE AS SHOWN IN FIG. 7. WIRE THE HOUSING LEADS TO SUPPLY WIRES USING UL LISTED WIRE CONNECTORS ACCORDING TO NED AND LOCAL CODES (FIG. 8) PUSH ALL WIRES INTO THE HOUSING.

WIRING INSTRUCTIONS

FIG. 8

UNIVERSALLY VOLTAGE DRIVER ALLOWS OPERATION AT 120V THROUGH 277V, 50 OR 60Hz. FOR 0-10V DIMMING, FOLLOW THE WIRING INSTRUCTIONS AS SHOWN IN FIG. 8

1. Connect the Black/Brown fixture lead to the LINE supply lead.
2. Connect the White/Blue fixture lead to the COMMON supply lead.
3. Connect the Green/Yellow wire from the fixture to supply ground. DO NOT CONNECT GROUND OF DIMMING FIXTURE TO THE OUTPUT.
4. Connect the Purple fixture lead to the DIM V+ lead.
5. Connect the Gray fixture lead to the DIM V- lead.

