

JOB NAME \_\_\_\_\_

CONTACT \_\_\_\_\_

ORDERING CODE \_\_\_\_\_

LM-79

## COBRA LINEALUCE

### Rigid Cove RGBW

formalighting  
COLLECTION



12 LED

#### DESCRIPTION

COBRA Linear is a surface mounted modular system in extruded aluminum with 25° vertical adjustability. COBRA is offered in 7 different lengths. They are hard connected for durability and consistency to maintain a 1.18" pitch between the LEDs. COBRA has integrated magnets for easy install. Offered in several CCTs at 90CRI. Ideal for indirect cove illumination, to create a wall grazing effect for columns and curved architectonic surfaces. Mounting accessories included. Optional glare shield, honeycomb louver and color filters are offered. COBRA carries the first 5 Year FIXTURE WARRANTY.

#### HOUSING

- Anodized extruded aluminum
- Consult factory for custom finishes and lengths

#### MOUNTING

- Surface mount with U-clips, included.

#### ELECTRICAL/CONTROLS

- 3.5W per link at 4X 500mA
- RED: 17 lm / led, GREEN: 32 lm / link, BLUE: 10 lm / link, WHITE (4000K): 29 lm / link
- TOTAL: 83 lm per led (All ON)
- Remote class 2 power supply required
- Maximum 28 LED run per driver
- Series shunt bypass ensures remaining operate if single link failure

#### LISTING

- cULus Listed to UL2108

#### LED INFO

- TX-3535 RGBW:
- 80 CRI, R9 > 70: SDCM = 3-step MacAdam Ellipse; Lumen Maintenance: L<sub>70</sub> > 56,000 hrs

#### ORDERING CODE

SERIES	COBRA	cove light	
TYPE	CR1 CR1-L <sup>1</sup>	cobra rigid, standard cobra rigid, louver	
LED	RGBW	red, green, blue, white	
SIZE	4 8 12 16 20 24 28	4 LED, 4-3/4" 8 LED, 9-1/2" 12 LED, 14-3/16" 16 LED, 18-7/8" 20 LED, 23-5/8" 24 LED, 28-3/8" 28 LED, 33-1/16"	
CCT	30K 40K	3000K 4000K	(1.00) (1.03)
CRI	80	80 CRI	
LENS OPTION	30D	30 degrees	
FINISH	BK	black	
MOUNTING OPTIONS	S	surface mount	
ACCESSORIES	See page 2 for details.		
DIMMING	See last page for details.		

#### ORDERING CODE

Follow the steps to specify your fixture, example:  
COBRA - CR1 - 12 - RGBW - 30K - 80 - 30D - BK - S

#### NOTES

1. Louver not available with honey comb accessory.

#### RGBW (LED)

COBRA	DELIVERED LM					VOLTAGE	LED POWER	SYSTEM POWER
	RED	GREEN	BLUE	WHITE	ALL	Vdc (total)	W (80 CRI)	W (80 CRI)
4 LED	70	128	40	116	333	4	6	8
8 LED	140	255	80	230	660	8	12	14
12 LED	208	384	120	348	1000	11	17	19
16 LED	280	510	160	465	1330	15	23	25
20 LED	350	640	200	580	1660	18	28	30
24 LED	420	770	240	695	2000	22	34	36
28 LED	490	895	280	810	2336	30	43	45

Power Factor ≥ 0.9

#### RELATED PRODUCTS



Cobra Linealuce - Flex

## ACCESSORIES

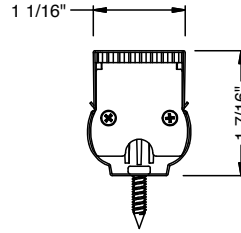
COBRA-HCL<sup>2</sup>  
COBRA-EXT-HARNESS-RGBW  
COBRA-UCLIP<sup>1</sup>  
COBRA-SCREW<sup>1</sup>  
76127<sup>3</sup>

honeycomb louver  
39" extension harness, cobra to driver  
mounting U-clip (included)  
screw for U-clip (included)  
cable management holder w/ adhesive.

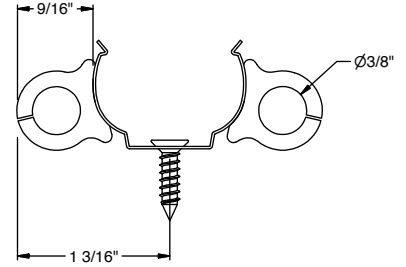


### NOTES

1. Mounting accessories are only for additional or spare circumstances. All Cobras include adequate quantity of mounting components.
2. Must order one per link.
3. 1 accessory per 2 LED's.



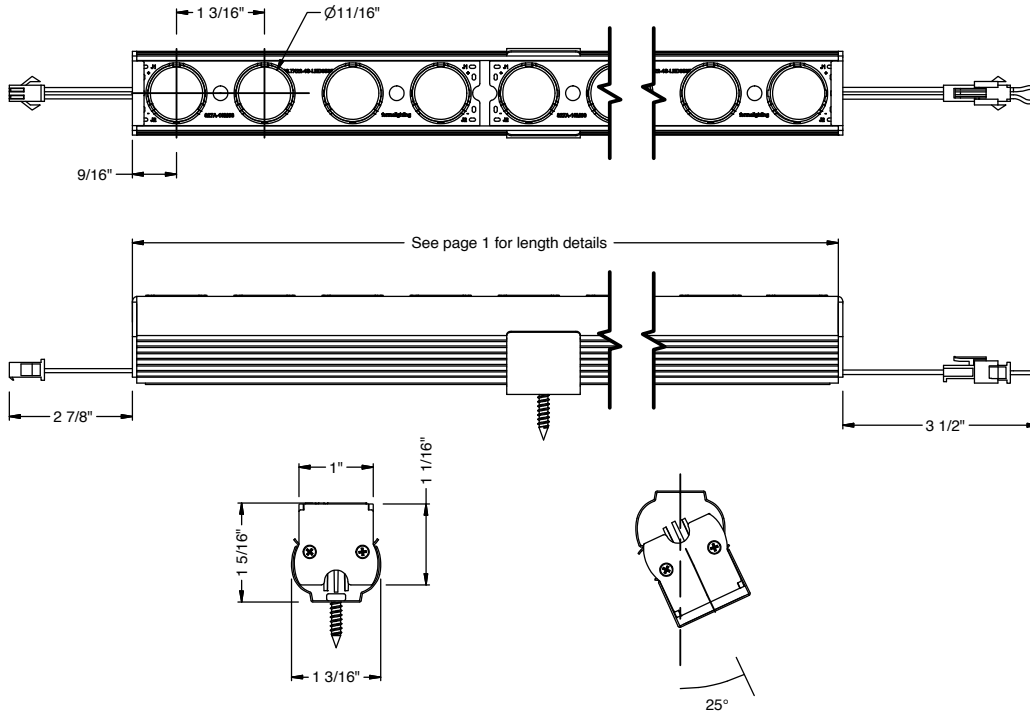
Honeycomb and Color Filter



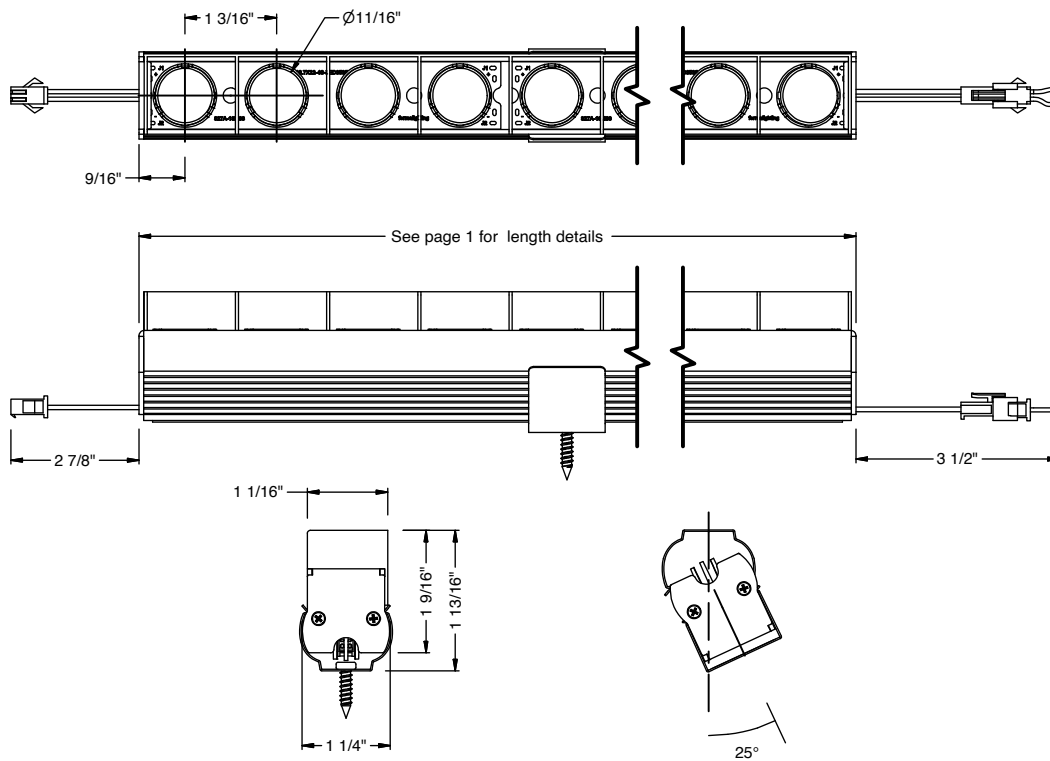
Cable holder

## PRODUCT DIMENSIONS

### CF1 - STANDARD



### CF1 - LOUVER



## REMOTE DRIVER - DMX ORDERING CODE

<b>SERIES</b>	<b>P70471-COBRA</b>	LED driver with box and harnesses
<b>DIMMING</b>	<b>DMXZ</b>	DMX dim to zero
<b>ELECTRICAL OPTIONS</b>	<b>500</b>	500mA

**ORDERING CODE**

Follow the steps to specify your fixture, example:  
**P70471 - COBRA - DMXZ - 500**

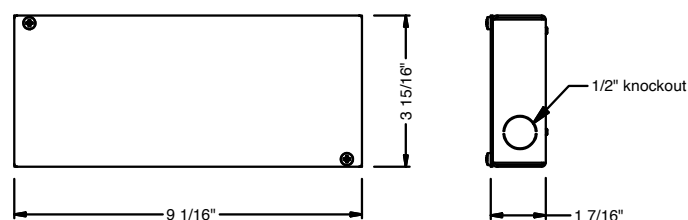
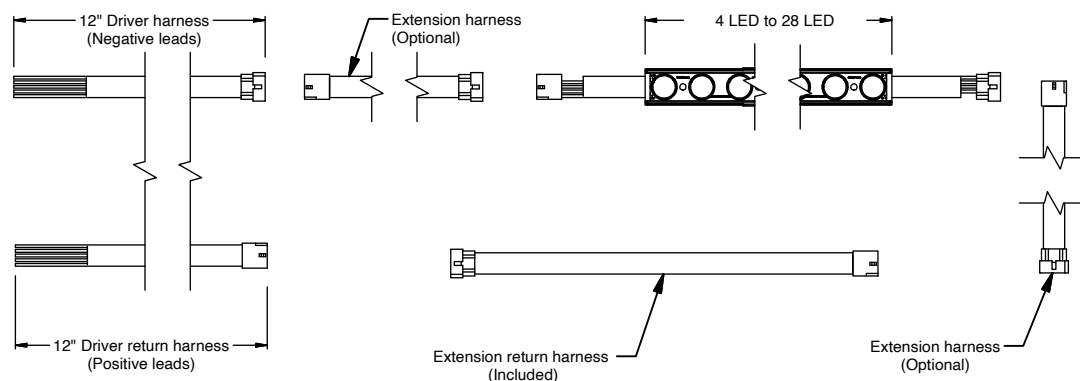
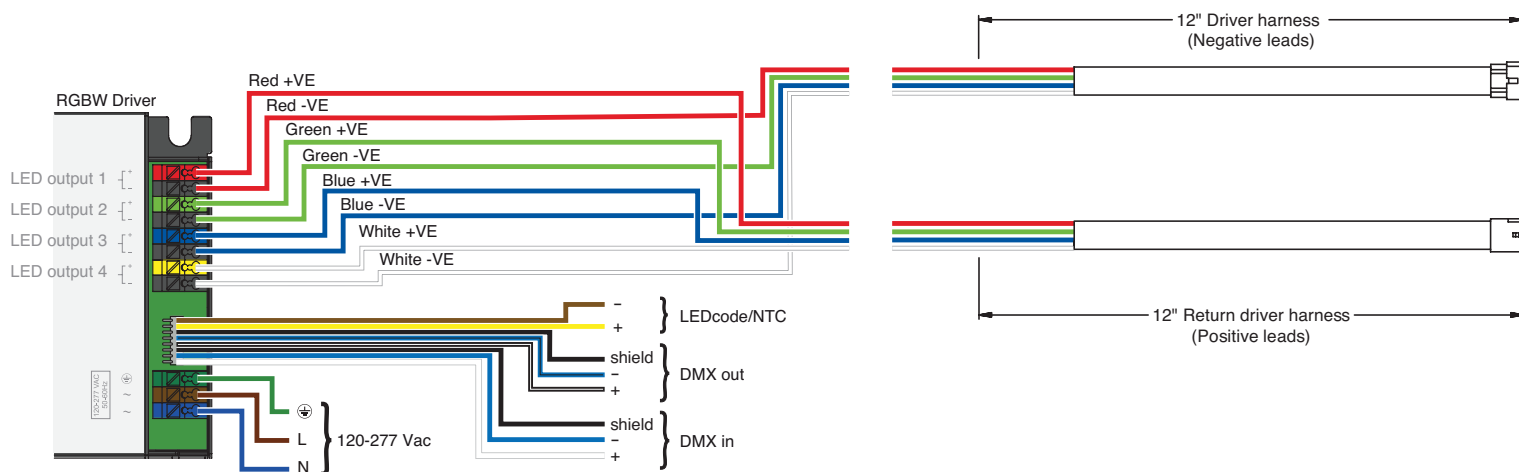
MAXIMUM WIRING DISTANCE FROM DRIVER TO FIRST COBRA AT FULL LOAD	
AWG VALUE	DISTANCE (FT)
20	46
18	72
17	92
16	118

### DESCRIPTION

- DMX dimmable protocol LED drive with smooth flicker free dimming
- Remote mounting distance up to 46' (20AWG), 72' (18AWG) to LED load
- Max 500mA programmed current.

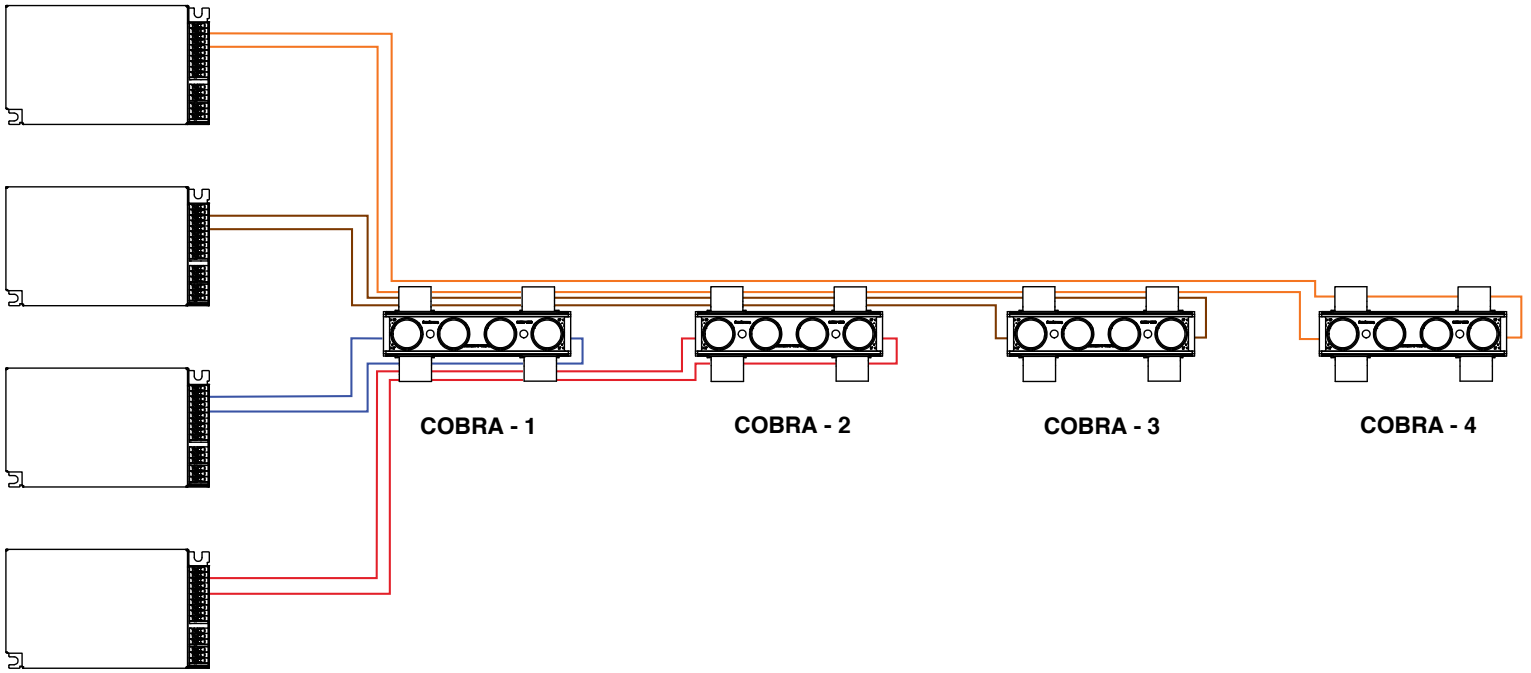
### ELECTRICAL/CONTROLS

- 120-277Vac, 50/60Hz input
- 50W max output
- 8-55Vdc output per channel
- Isolated dimming circuit
- DMX compatible
- Operating temperature: -13°F to 122°F
- Class II rated
- Suitable for use in damp and dry locations
- Short circuit protection
- Overload protection
- Over-voltage protection
- Thermal protection
- Box: Length = 9", Width = 4", Height = 1-3/8"
- Driver: Length = 5-1/8", Width = 3", Height = 1-1/8"



### BOX

## WIRE MANAGEMENT GUIDE



Note: Maximum four individual circuit Cobras in-line with wire management clips.