

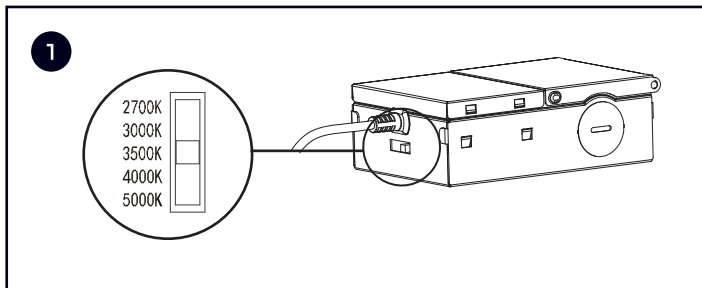
3", 4", 5" & 6" ECO BACKLIT MINI PANEL - 5CCT SELECTABLE LR23920, LR23921, LR23922, LR23923, LR23924, LR23925, LR23926, LR23927

Please consult a qualified electrician for hanging fixture and wiring.

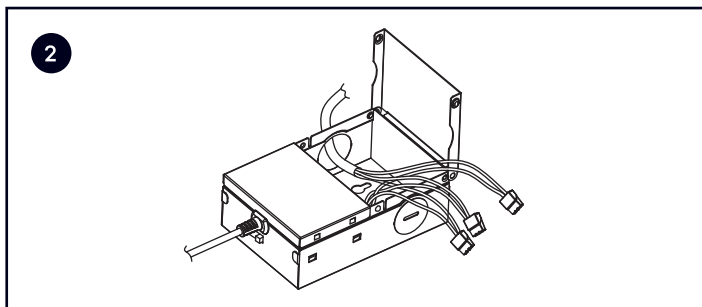
CAUTION:

Before starting the installation, disconnect the power by turning off the circuit breaker or by removing the fuse at the fuse box. Carefully unpack and identify all parts before assembly.

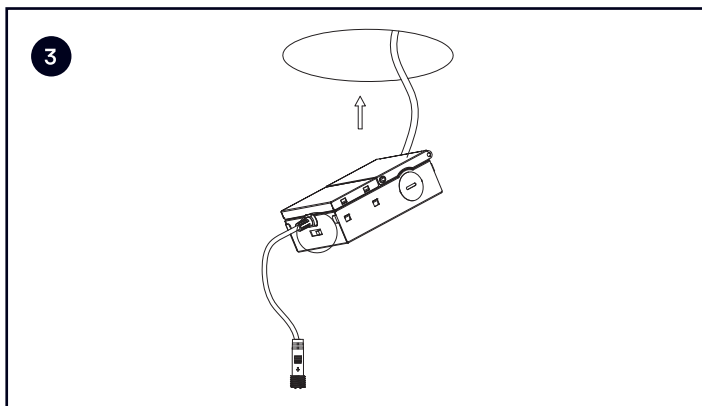
INSTALLATION :



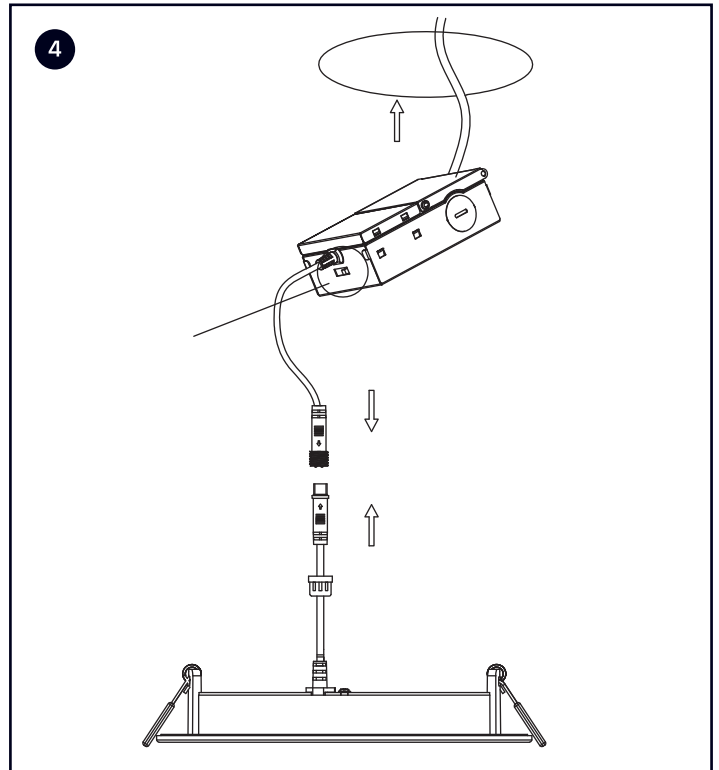
1. TURN OFF THE POWER AT THE ELECTRICAL PANEL BEFORE STARTING INSTALLATION. MAKE CUTOUT FOLLOWING THE CUTOUT DIMENSIONS AND SELECT DESIRED COLOR TEMPERATURE BY SLIDING THE SWITCH ON THE J-BOX.



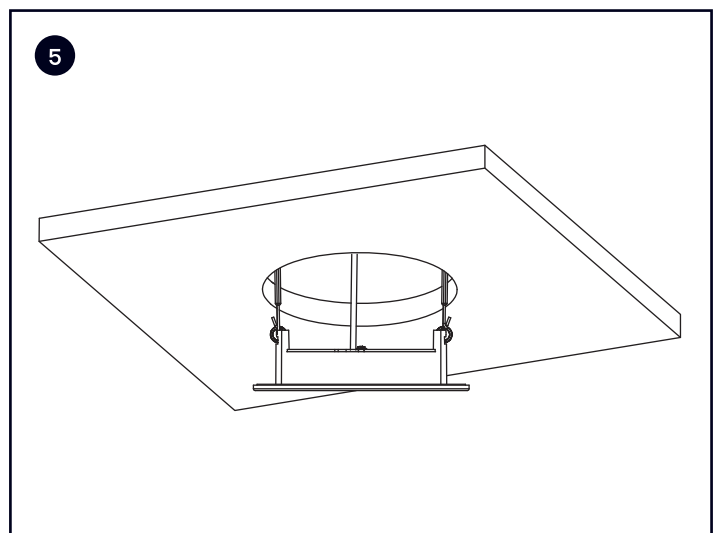
2. OPEN THE J-BOX COVER AND REMOVE THE APPROPRIATE KNOCKOUT(S). INSERT THE ELECTRICAL SUPPLY CABLE THROUGH THE KNOCKOUT AND SECURE WITH A CABLE CONNECTOR (SOLD SEPARATELY). USING PUSH-IN WIRE CONNECTORS AND CONNECT THE WIRE.



3. PLACE ALL WIRING AND CONNECTIONS BACK INTO THE J-BOX AND CLOSE THE COVER AND INSERT THE J-BOX THROUGH THE MOUNTING HOLE.



4. CONNECT THE FIXTURE TO THE J-BOX BY INSERTING AND TWISTING THE MALE/FEMALE CONNECTORS



5. PUSH SPRING LOADED CLIPS ON THE FIXTURE UPWARDS AND INSERT THE FIXTURE INTO THE MOUNTING HOLE. RELEASE THE CLIPS AND THE FIXTURE WILL BE PULLED FLUSH TO THE CEILING.