



# SINGLE-POLE PHASE DIMMER & SWITCH

LINE VOLTAGE



**SENSORWORX®**

## OVERVIEW

The **SENSORWORX** phase dimmer provides manual dimming control of 120V lighting from a single location. With no minimum load requirements, this stand alone dimmer is perfect for any lighting zone. Additionally, at less than one inch deep, the unit is significantly shallower than typical dimmers. This results in less crowded wall boxes and quicker installation. All **SENSORWORX** products are proudly made in the USA.

## FEATURES

### ELECTRICAL FEATURES

- Dims LED, ELV, CFL, & Incandescent Lighting Loads
- Selectable Reverse (default) and Forward Phase Dimming in Same Unit
- No Minimum Load Ratings - Relay Based Switching
- Overload Protection Monitors & Protects Unit from Overheating

### PHYSICAL FEATURES

- Enclosure is 25-40% Shallower than Other Dimmers (< 1" Depth into Wallbox)
- Modern Look and Individual Easy-Tap Buttons for On, Off, Raise, & Lower
- Matches Styling of other SWX Wall Devices
- Self-Grounding Mounting Strap
- Blue Locator LED when Lights are Off

### OPERATIONAL FEATURES

- White LED Indicator Changes Intensity as Dim Level is Adjusted
- Configurable Dimming Parameters including High/Low Trims, & Turn on Levels
- Programmable Dimming Curves
- Settings are Adjustable without Removing Cover Plate
- Unit Retains Level Setting after Power Outage

## SPECIFICATIONS

### ELECTRICAL

#### OPERATING VOLTAGE

120VAC, Single Phase, 50/60 Hz

#### MAX LOAD RATINGS

In Reverse Phase Mode (default)

375W LED / ELV

375W Incandescent/Halogen

In Forward Phase Mode (optional)

150W CFL / LED

Consult factory for MLV rating

**MIN LOAD RATINGS:** None

#### LOAD TYPES

Electronic Low Voltage

LED Driver/Lamps

CFL, Electronic/Magnetic Ballasts (Fluorescent)

Tungsten (Incandescent)

Halogen

MLV (consult factory)

#### ESD IMMUNITY

Tested to withstand electrostatic discharge without damage or memory loss.

#### SURGE IMMUNITY

Tested to withstand surge voltages without damage or loss of operation.

#### NON-VOLATILE MEMORY

Saves all settings even if power is disrupted.

### PHYSICAL

#### SIZE

2.74"H x 1.68"W x 1.39"D

(6.96 x 4.27 x 3.53 cm)

<1" Wallbox Mounting Depth

#### WEIGHT

4.5 oz

#### MOUNTING

Single Gang Switch Box

#### LED STATUS INDICATOR

Bi-color White & Blue

### ENVIRONMENTAL

#### OPERATING TEMP

32°F to 86°F (0°C to 30°C)

(for full load operation)

#### RELATIVE HUMIDITY

0-95% Non-Condensing

Indoor Use Only



## ORDERING INFO

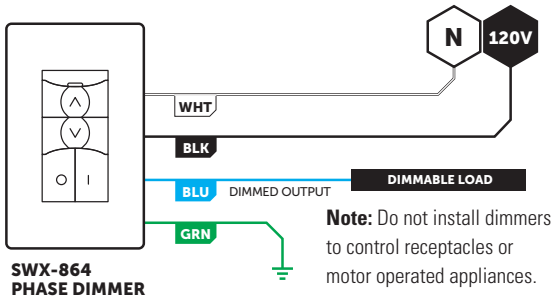
SAMPLE MODEL # SWX-864-ELV-WH

| PRODUCT DESCRIPTION |   | COLOR*                         |                      |               | PACKAGE COUNT |                          |               |
|---------------------|---|--------------------------------|----------------------|---------------|---------------|--------------------------|---------------|
| <b>SWX-864-ELV</b>  | Single-Pole Phase Dimmer & Switch, 120VAC - Reverse Phase (for Electronic Low Voltage/LED/CFL/ Incandescent/Halogen) or Forward Phase | White<br>Ivory<br>Light Almond | - WH<br>- IV<br>- LA | Gray<br>Black | - GY<br>- BK  | Single Pack<br>10 Pack** | Blank<br>-J10 |
|                     |   | **WALLPLATE NOT INCLUDED       |                      |               |               |                          |               |
| ACCESSORY PART #    | COLOR   | PACKAGE COUNT                  |                      |               |               |                          |               |
| <b>SWX-199</b>      | Single Gang Wall Plate  | White<br>Ivory<br>Light Almond | - WH<br>- IV<br>- LA | Gray<br>Black | - GY<br>- BK  | 10 Pack**                | - J10         |

\*\* THE CONTRACTOR PACK OPTION (-J10) REDUCES JOB SITE WASTE AND INVENTORY TIME

# WIRING

## DIMMING FROM A SINGLE LOCATION



## DIMMING FROM MULTIPLE LOCATIONS (e.g. 3-way)

This phase dimmer is not designed for installation or usage in multiway (e.g. 3-way) applications. For dimming in those applications, the **SENSORWORX** wireless phase dimmer (model series **SWX-874**) and a wireless companion dimmer (model series **SWX-854**) is required.

# INSTALLATION

- Designed to mount in 1-gang wall box with 3.28" hole spacing.
- Units can also share multiple gang wall boxes with other devices.
- Unit face is field removable in order to change colors. Contact factory for additional faces.

## SWX-864-ELV

