

## LED 2CCT & 3 WATTAGE SELECTABLE UFO HIGHBAY LR41540, LR41543, LR41546, LR41549

### CAUTION

1. DO NOT USE THE ELECTRIC GENERATOR TO TEST THE LED LIGHT.
2. PLEASE ABIDE BY THE APPROPRIATE NATIONAL, REGIONAL AND LOCAL LAW AND REGULATIONS WHEN INSTALL THIS FIXTURE.
3. PLEASE TURN OFF THE POWER BEFORE INSTALLATION OR MAINTENANCE.
4. PROPER GROUNDING IS REQUIRED TO ENSURE SAFETY

### NOTICE

1. To avoid possibility of electrical shock or fire, installation should be done by a certified electrician.
2. Wear gloves to avoid injury before installation.
3. If smoke or sparks happen during installation, turn off the power immediately and notify qualified personnel.
4. Please use listed waterproof stain relief bushing when connecting the supply cord to the outlet box.

### ATTENTION

1. Please check if there is any damage during shipping. If so, please contact the manufacturer immediately.
2. Please read the installation instructions carefully to check whether all the accessories are complete. Once confirmed, proceed to install the fixture following these instructions.

### WIRING DIAGRAM & INSTRUCTIONS:

3 dimming functions are available in this high bay light:

1. Constant current can be achieved by 0-10V DC dimming;
2. PWM signal dimming;
3. Variation of resistance unit dimming.

### WIRING INSTRUCTION:

ACL: Black/Brown, ACN: White/Blue, ⊕Green/Yellow, DIM +: Purple, DIM -: Pink AUX: Black/White  
(As for the wire color of DIM+ and DIM-, pls check the light label.)



Please choose the appropriate dimming way according to your needs. You can also choose not to use this function.

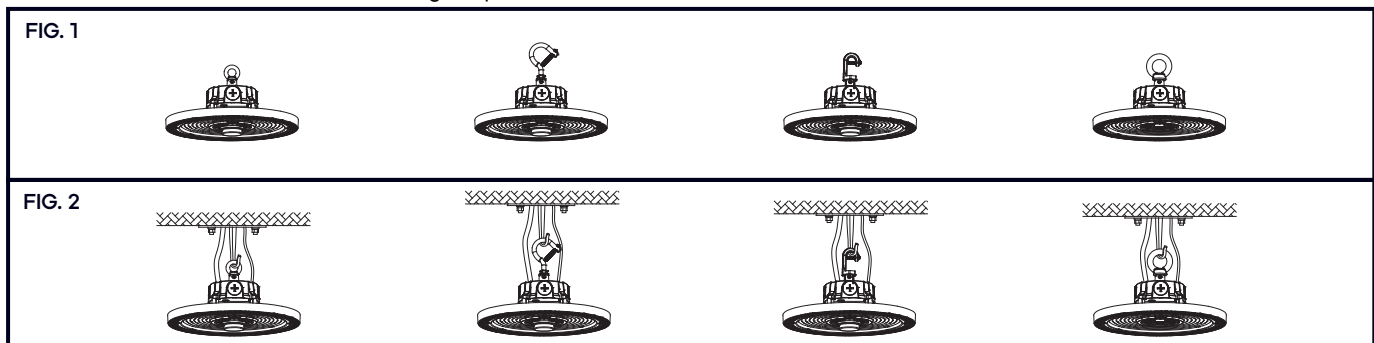
\*The product can not be connected to a dimming device when it's equipped with Motion Sensor.

### HOOK MOUNT INSTALL

Step 1. Screw the hook into the fixture, tighten and fix it. (figure 1)

Step 2. Hang the fixture on the ceiling hook or chain. (figure 2)

Step 3. After installation, connect the wire of the fixture to the mains according to local wiring rules, ensure the connection is stable and make good protection on the connection.



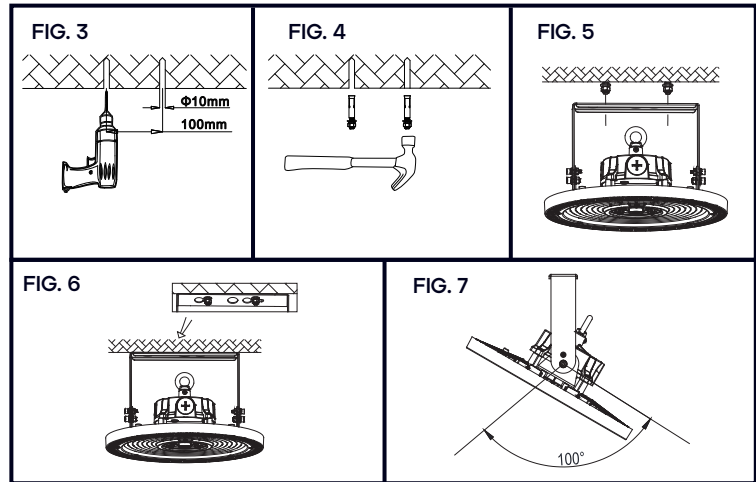
## CEILING MOUNT INSTALL

Step 1. Mark with a mark pen or sharp tool on the mounting surface and drill. (Figure 3)

Step 2. Fix screws into the holes with a hammer. (Figure 4)

Step 3. Align the bracket hole with screw hole (Figure 5), and push the fixture to one side (Figure 6) and fix it.

Step 4. After installation, connect the wire of the fixture to the mains according to local wiring rules, ensure the connection is stable and make good protection on the connection. By adjusting the brackets screws, users can adjust 50° to the left or right vertically. (Figure 7)

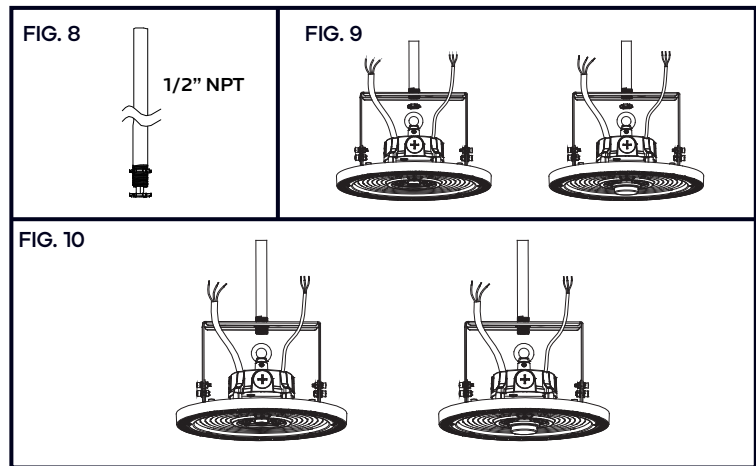


## 1/2" NPT MOUNT

Step 1. Unscrew the nuts on 1/2" NPT. (Figure 8)

Step 2. Insert 1/2" NPT stem into the bracket hole. (Figure 9)

Step 3. Re-screw the nuts. (Figure 10), After installation, connect the wire of the fixture to the mains according to local wiring rules, ensure the connection is stable and make good protection on the connection. By adjusting the brackets screws, users can adjust 50° to the left or right vertically.



## EXTRA ACCESSORY OPTION INSTALL

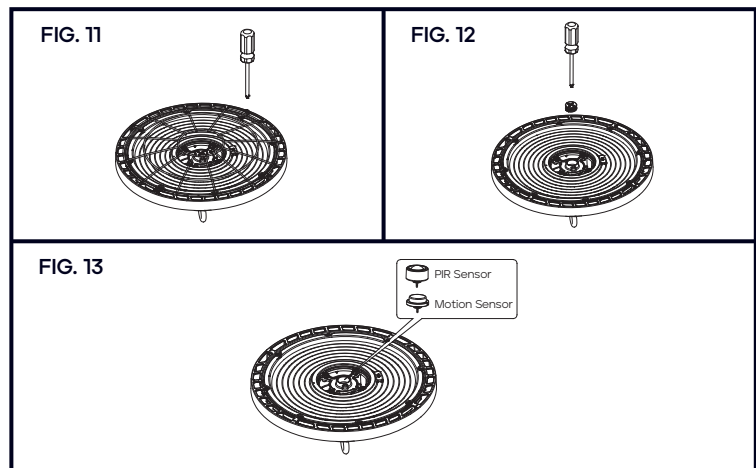
1: Wire Guard, 2: Motion Sensor / PIR Sensor,  
3: Aluminum reflector/PC reflector 4 : Safety cable:

1. Wire Guard: (Purchase the correct size wire guard from manufacturer) Place the wire guard on the lamp and fix it with screws. (Figure 11)

2. DC Motion Sensor / PIR Sensor (Both sensors are with the same installation method)

Step 1. Use a screwdriver to remove the 1/2 plug from the sensor; (Figure 12)

Step 2. Twist-lock the DC sensor to the base to make it work properly, use a remote control to adjust the working mode as per demand. (Figure 13)



### 3: Aluminum reflector / PC reflector

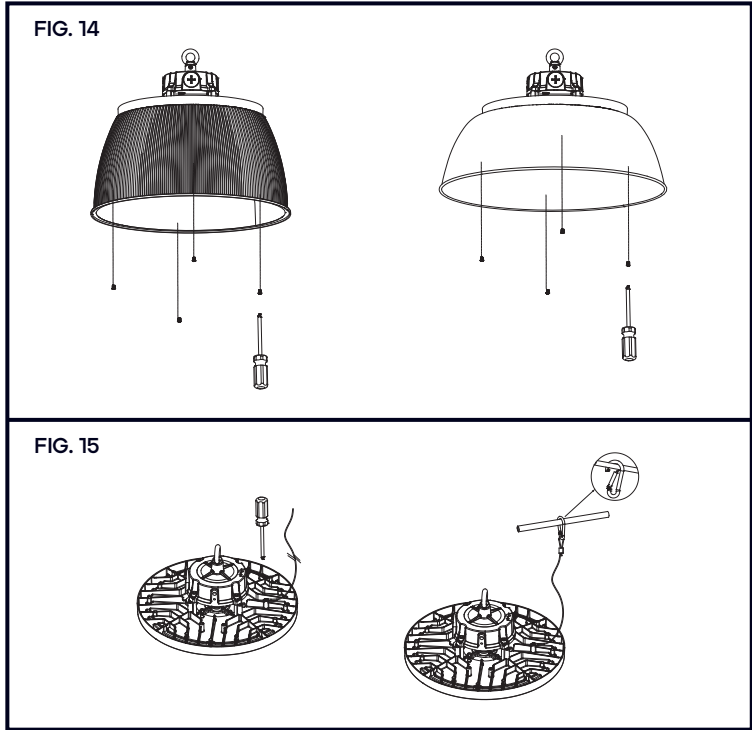
Step 1. Lock the PC reflector or Aluminum reflector to the lamp with screws.

Step 2. Installation complete. (Figure 14)

### 4: Safety cable

Step 1. Fix the safety rope on the lamp body with screws. (Figure 15)

Step 2. Fix the safety buckle on the rail, and the installation is finished.



### OPTIONAL FUNCTION:

This fixture is designed with integrated function of 2 CCT tunable, 3 wattage adjustable, and the settings can be customized.

Operation: Remove the plug, adjust the switches as indicated to select the desired CCT, wattage.

Then screw the plug back after finished setting.

The original settings can be the factory default settings or be customized.

