

# All-Terior LED Wall Sconce

**AT7928**  
INSTALLATION SHEET

## START FROM HERE

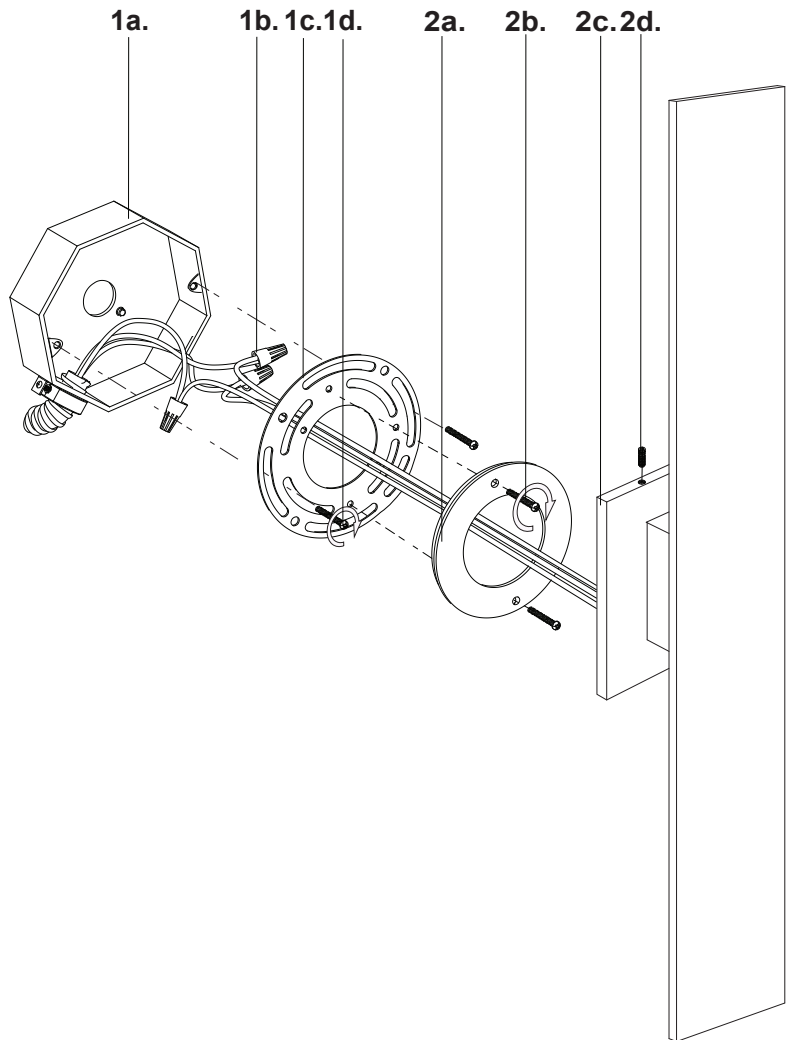
- Make sure **POWER** is **COMPLETELY OFF** at the fuse box
- Have your fixture installed by a qualified licensed electrician
- Prepare everything in a clear area
- Wear gloves at all time during this installation
- Read instructions carefully before you start assembly
- Keep this installation sheet for future reference

**Technical Support:** 1-855-855-8926

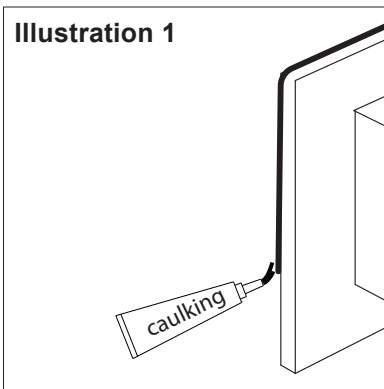
## Please Note:

- This Kuzco LED fixture comes with pre-wired LED module(s)
- Unless instructed, Do Not touch any part of the LED module(s) as any unnecessary contact with the module could cause permanent damage
- Use ELV (Electronic Low Voltage) type of dimmer for dimming application
- 120V input

1. Remove fixture from its original package
2. Separate mounting plate (1c) and anchor plate (2a) from canopy (2c) by removing canopy screws (2d) and anchor plate screws (2b)
3. Attach mounting plate (1c) to electrical junction box (1a) using junction box screws provided (1d) in hardware package
4. Make proper electrical connections (**black to hot** "L", **white to neutral** "N", **ground to "GND"**) with wire nuts (1b) provided in hardware package
5. Attach anchor plate (2a) to mounting plate (1c) with anchor plate screws (2b)
6. Attach canopy (2c) to anchor plate (2a) with canopy screws (2d)
7. To prevent moisture from entering the electrical junction box (1a) and causing a short, seal around the top and side perimeter between the fixture and the wall surface with weather resistant caulking (**See Illustration 1**). The space at the bottom should be left un-caulked to prevent moisture build up



**Illustration 1**



**KUZCO**

19054 28th Avenue Surrey, BC Canada V3Z 6M3  
T: 604 538 7162 TF: 1-855 85 KUZCO F: 604 538 7196  
W: kuzcolighting.com  
20241121