

VERY HIGH OUTPUT LED LINEAR FIXTURE - 5CCT & 4 WATTAGE SELECT LR25360, LR25360+EM, LR25364, LR25364+EM, LR25366, LR25366+EM

WARNING

- To reduce the risk of death, personal injury or property damage from fire, electric shock, falling parts, cuts/abrasions, and other hazards read all warnings and instructions included with and on the fixture box and all fixture labels.
- Before installing, servicing, or performing routine maintenance upon this equipment, follow these general precautions.
- Commercial installation, service and maintenance of luminaires should be performed by a qualified licensed electrician.
- For the installation: If you are unsure about the installation or maintenance of the luminaires, consult a qualified licensed electrician and check your local electrical code.
- To prevent wiring damage or abrasion, do not expose wiring to edges of sheet metal or other sharp objects.
- Do not make or alter any open holes in an enclosure of wiring or electrical components during kit installation.

WARNING

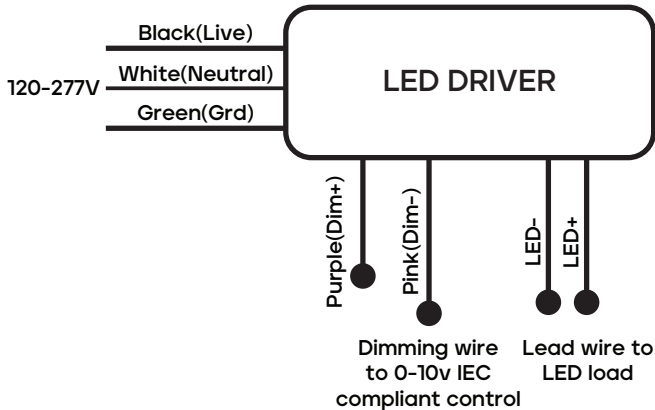
- Turn off electrical power at fuse or circuit breaker box before wiring fixture to the power supply.
- Turn off the power when you perform any maintenance.
- Verify that supply voltage is correct by comparing it with the luminaire label information.
- All wiring connections should be capped with UL approved wire connectors.

CAUTION

- Avoid direct eye exposure to the light source while it is on.
- Account for small parts and destroy packing material, as these may be hazardous to children.
- Risk of burn. Disconnect power and allow fixture to cool before changing bulb or handing fixture.

NOTICE: Green ground screw provided in proper location. Do not relocate.
 NOTICE: Minimum 90° supply conductors.
 NOTICE: Specifications and dimensions subject to change without notice.
 NOTICE: Suitable for Dry or Damp location

General Wiring Diagram



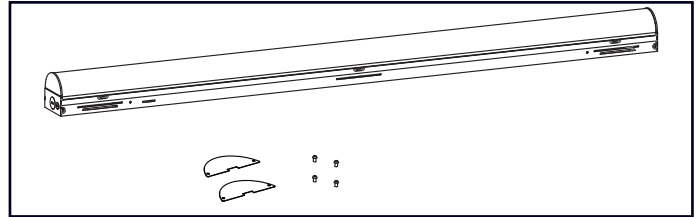
Note: The CCT-adjustable function integrated Driver will have one more "LED-" output wire.

INSTALLATION INSTRUCTION

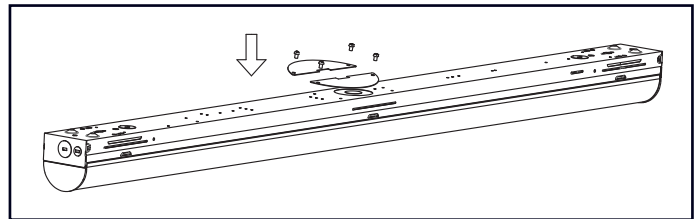
SURFACE MOUNTING

Notice: Always turn off the power supply from main circuit breaker first!

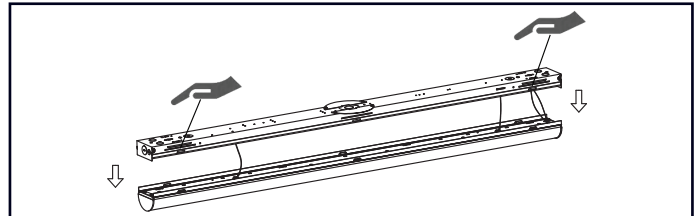
1.TAKE OUT THE LIGHT FIXTURE AND ACCESSORIES PACKAGE FROM THE BOX.



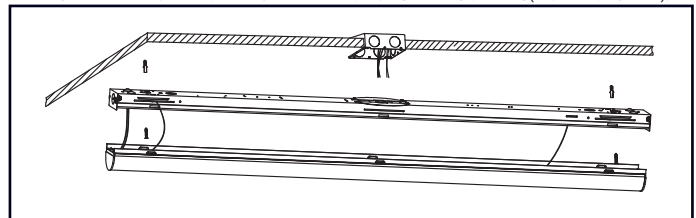
2.FIX THE BAFFLE ONTO THE BACK OF THE FIXTURE.



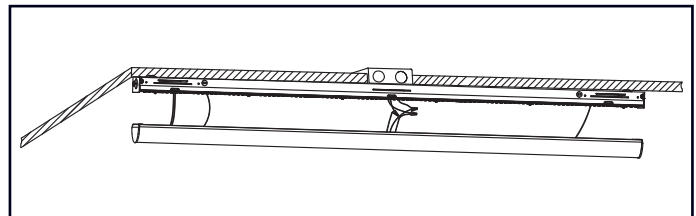
3.OPEN THE LUMINOUS PART DOWN BY PRESSING THE AREA BETWEEN THE NARROW STRIP HOLE AND SNAP-LOCK.



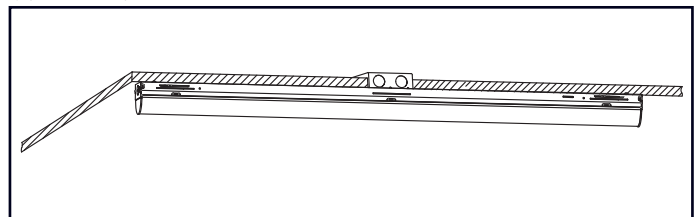
4.PULL THE AC WIRES AND DIMMING WIRES THROUGH THE OUTLET HOLE, THEN FIX THE LUMINAIRE TO THE CEILING WITH ANCHORS AND SCREWS(NOT INCLUDED).



5.USE APPROPRIATE UL APPROVED WIRE CONNECTORS AS REQUIRED BY CODE TO COMPLETE WIRING WITH MAIN POWER AND DIMMING WIRES*.



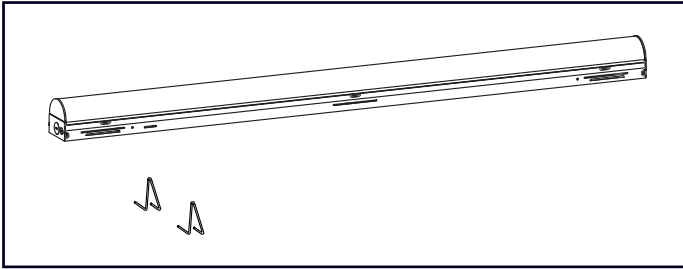
6.ASSEMBLE THE MODULE BOARD UPWARDS.THE INSTALLATION IS COMPLETED.



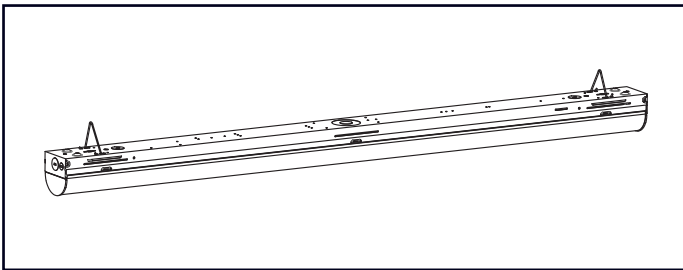
INSTALLATION INSTRUCTION

CHAIN SUSPENDED MOUNTING

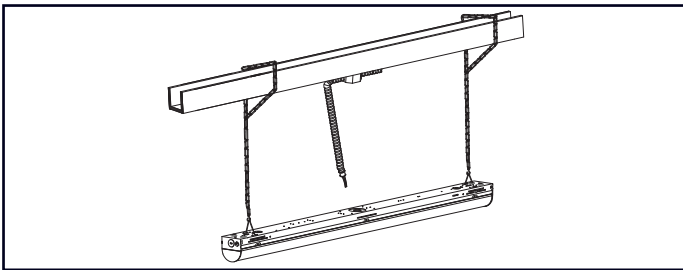
Notice: Always turn off the power supply from main circuit breaker first!
1.TAKE OUT THE LIGHT FIXTURE AND ACCESSORIES PACKAGE FROM THE BOX.



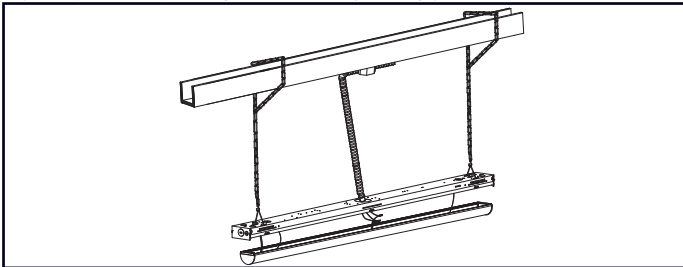
2.CONNECT THE V-HOOK TO BACK OF THE FIXTURE BODY.



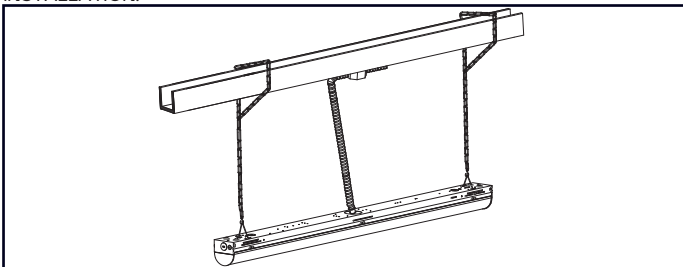
3.ATTACH CHAIN TO THE V-HOOKS TO HANG THE LUMINAIRE.



4.FIX THE END OF PIPE TO THE OUTLET HOLE. OPEN THE FIXTURE BODY AND CONNECT THE AC WIRES AND DIMMING WIRES*.



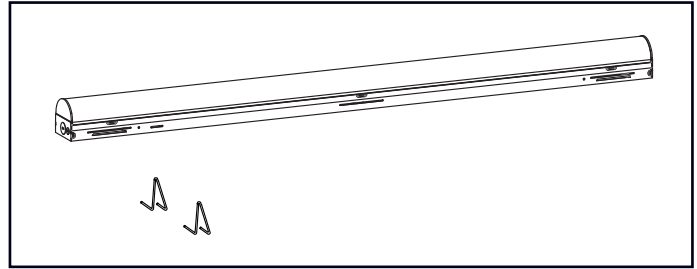
5.REATTACH THE LUMINOUS PART TO THE HOUSING TO COMPLETE THE INSTALLATION.



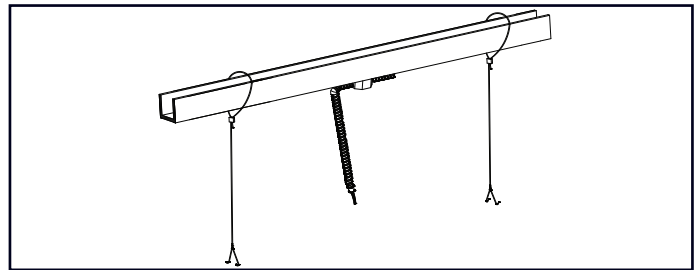
INSTALLATION INSTRUCTION

CABLE SUSPENDED MOUNTING

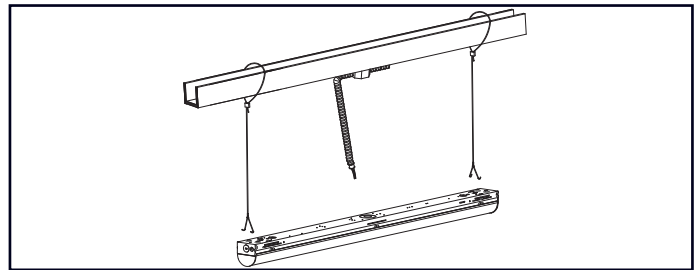
Notice: Always turn off the power supply from main circuit breaker first!
1.TAKE OUT THE LIGHT FIXTURE AND ACCESSORIES PACKAGE FROM THE BOX.



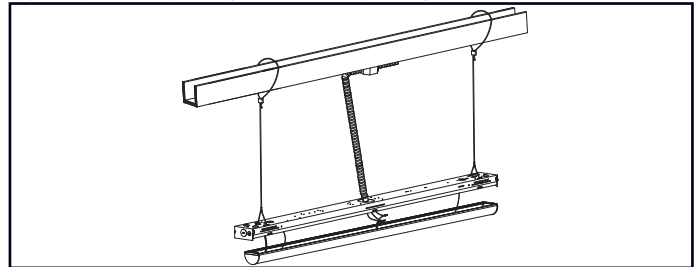
2.ATTACH V-HOOKS TO THE CABLE.



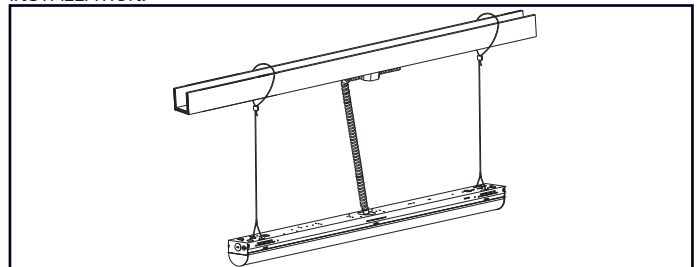
3.ATTACH THE V-HOOKS TO THE FIXTURE BODY TO HANG THE LUMINAIRE.



4.FIX THE END OF PIPE TO THE OUTLET HOLE. OPEN THE FIXTURE BODY AND CONNECT THE AC WIRES AND DIMMING WIRES*.



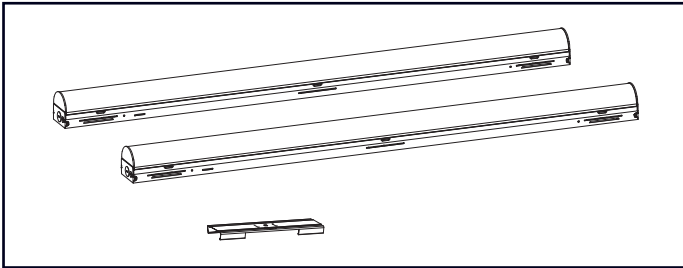
5.REATTACH THE LUMINOUS PART TO THE HOUSING TO COMPLETE THE INSTALLATION.



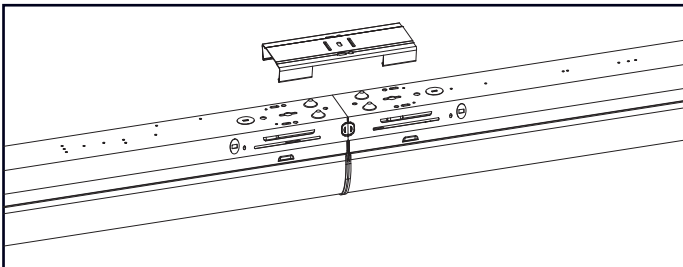
INSTALLATION INSTRUCTION

ROW MOUNTING

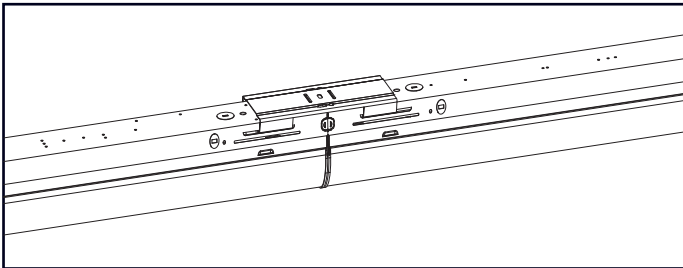
1.TAKE OUT THE LIGHT FIXTURE AND ACCESSORIES PACKAGE FROM THE BOX.



2.INSTALL THE CONNECTOR TO THE END OF THE LUMINAIRES.



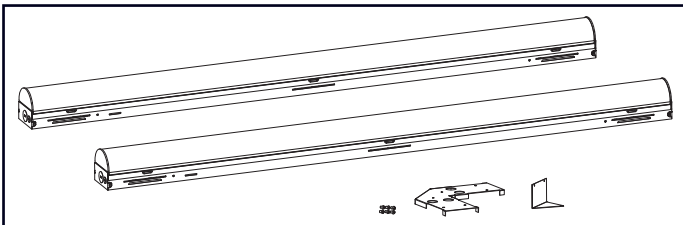
3.THE INSTALLATION IS COMPLETED.



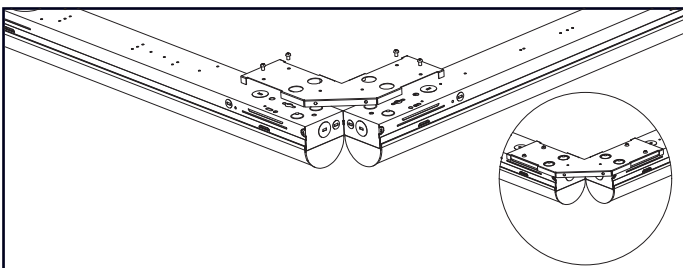
INSTALLATION INSTRUCTION

RIGHT ANGLE CONNECTION

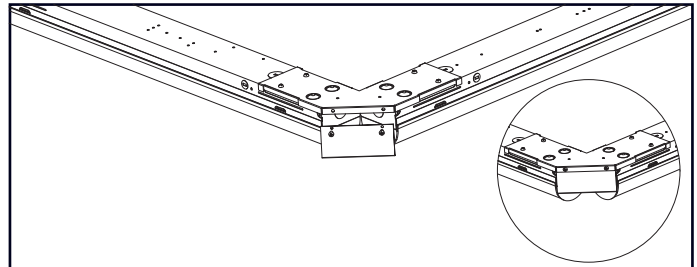
1.TAKE OUT THE LIGHT FIXTURE AND ACCESSORIES PACKAGE FROM THE BOX.



2.SECURE THE INTERCONNECTION BRACKET WITH SCREWS.



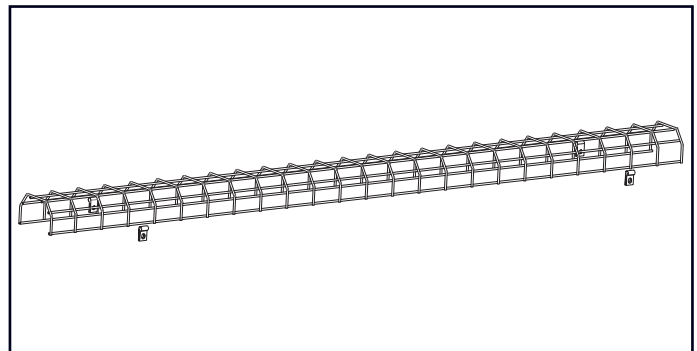
3.SECURE THE INTERCONNECTION ENDCOVER WITH SCREWS.



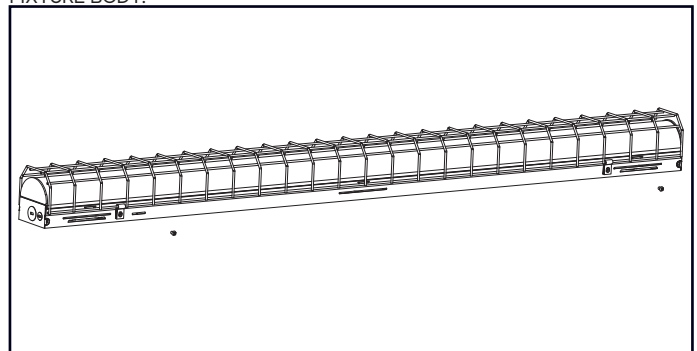
INSTALLATION INSTRUCTION

WIRE GUARDS INSTALLATION

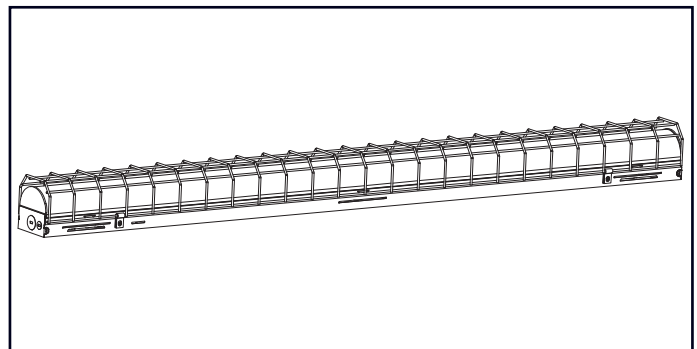
1.ININSERT THE PROVIDED CHIPS(4 PCS) ONTO THE WIRE GUARD.



2.FASTEN THE CHIPS BY SCREWS INTO THE PREPUNCHED HOLES OF FIXTURE BODY.

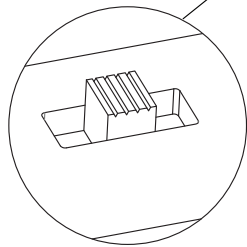
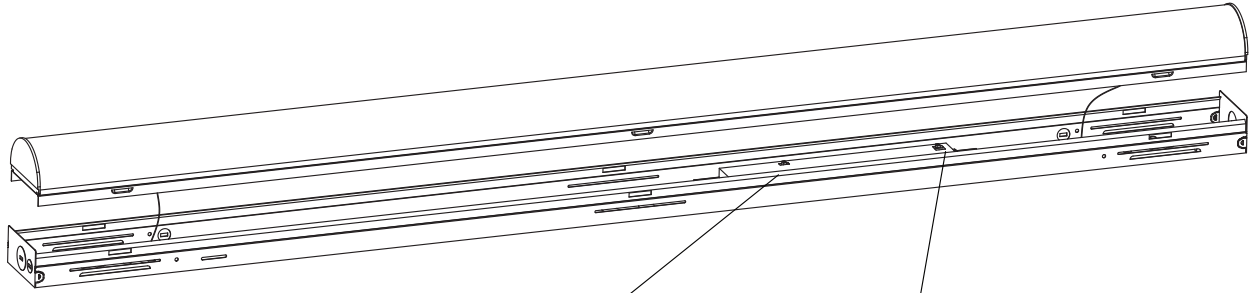


3.THE INSTALLATION IS COMPLETED.

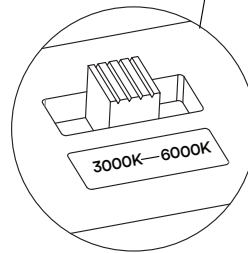


INSTALLATION INSTRUCTION

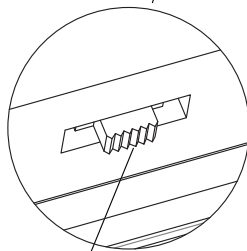
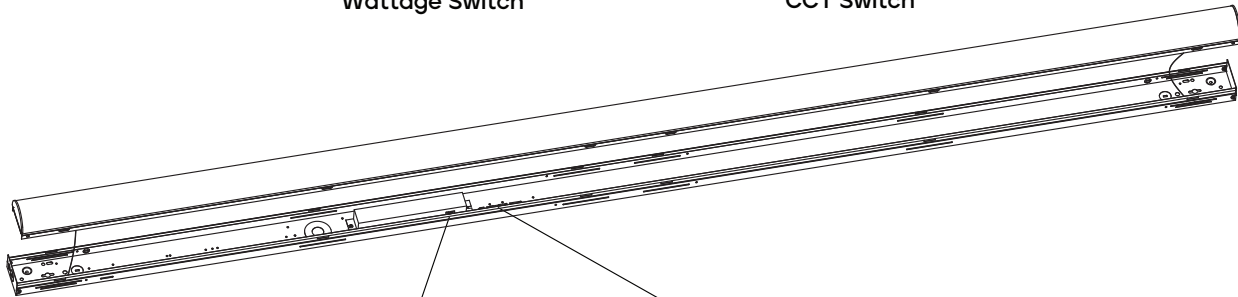
FIELD-ADJUSTABLE WATTAGE & CCT



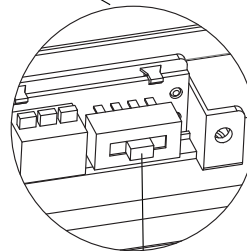
Wattage Switch



CCT Switch



Wattage Switch (inside the fixture)



CCT Switch (inside the fixture)

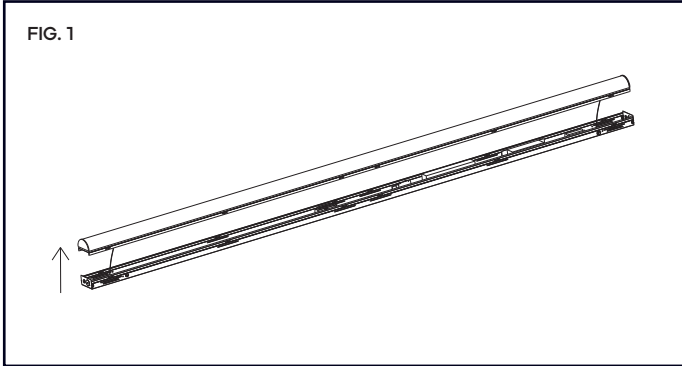
The end users may adjust the color temperature and lumen output respectively by the two DIP switch. Each DIP switch is accommodated with 3 options (left, middle and right), corresponding to 3 color temperatures and 3 powers respectively, which can perform the desired color temperature and lumen output combination.

Select a wattage and color temperature by sliding switch left or right respectively to the desired value.

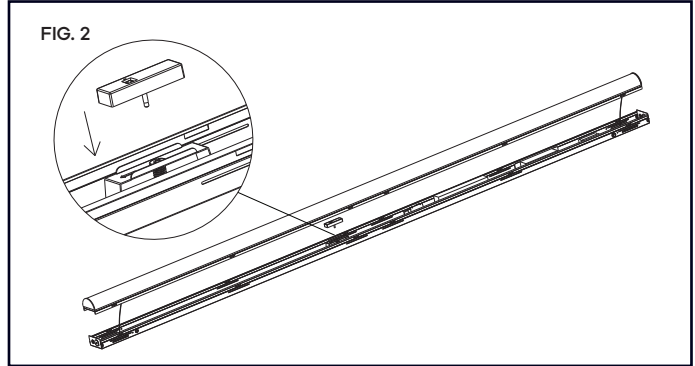
INSTALLATION INSTRUCTION

LR25372, LR25375 MOTION SENSOR

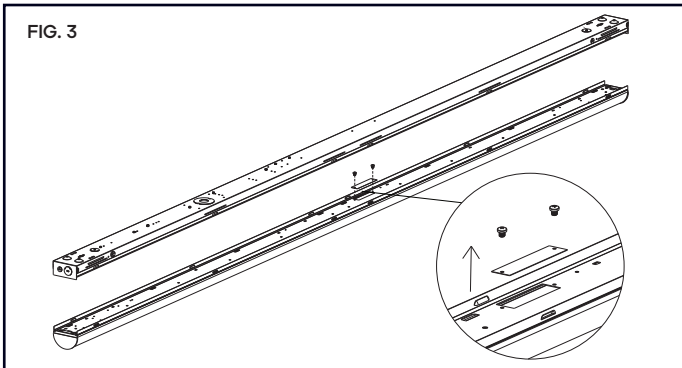
1. REMOVE THE LENS



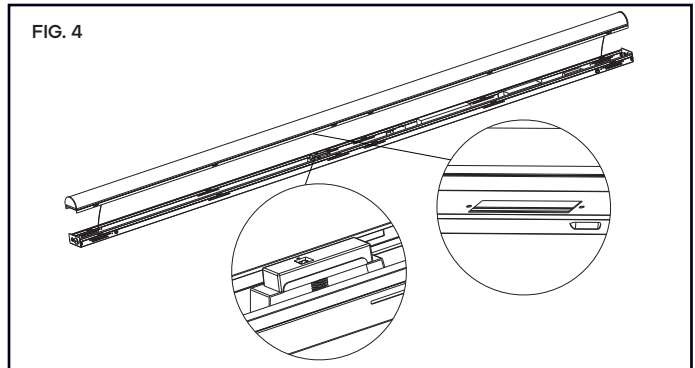
2. PLUG THE SENSOR INTO THE SOCKET.



3. REMOVE THE TWO SCREWS AND THE COVER PLATE.



4. ALIGN THE HOLE ON BACK OF MODULE BOARD TO THE SENSOR, THEN REINSTALL THE LENS.



5. INSTALLATION COMPLETED.

