

Constant Current Electronic Phase Dimmable LED Driver

P/N: CCT

The CCT-SERIES is an electronic Class 2, phase dimmable LED driver with a low profile, compact hard plastic case that is sized for lighting fixture applications. The driver features, over current and short circuit protection, as well as an efficiency over 90% resulting in a low operating case temperature. The CCT-SERIES driver is phase dimmable with both leading and trailing edge dimmers.

Installation: Wire Leads

Driver Type: Class 2 Single Channel

Dimming: Phase Dimmable with Leading (Forward) or Trailing (Reverse) Edge Dimmer

Input Voltage: 120VAC, 50/60Hz

Output Voltage: 8 - 40VDC

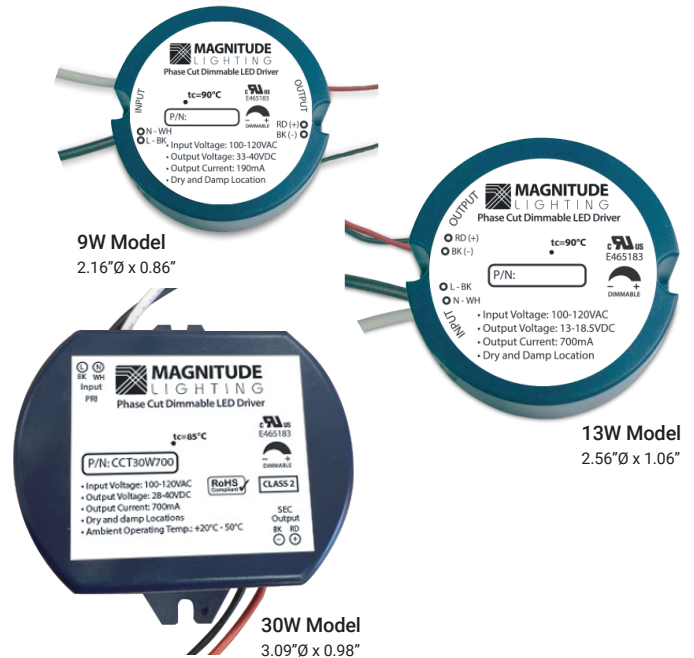
Output Current: 200 - 700mA

Environmental: Dry and Damp

Listing: UL Recognized

Certifications: UL8750, UL1310 | CSA C22.2 No. 250.13-12

Warranty: 5-Year Warranty



Ordering Guide Example: CCT9W200

CCT W

TYPE	WATTAGE	OUTPUT CURRENT
CCT - CCT-SERIES	9 - 9W	200 ² - 200mA (9W only)
	13 - 13W	350 - 350mA
	30 ¹ - 30W	500 - 500mA
		700 - 700mA
		¹ 700mA only ² 9W only

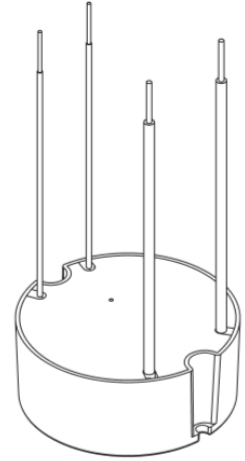
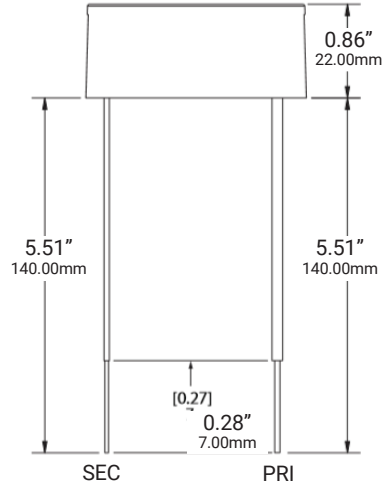
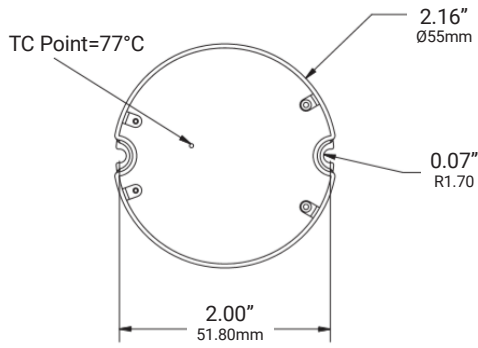
DIMENSIONS	9W	13W	30W
DIAMETER	2.16"Ø (54.87mm)	2.56"Ø (65.02mm)	3.09"Ø (78.49mm)
HEIGHT	0.86" (21.84mm)	1.06" (26.92mm)	0.98" (24.89mm)

Specifications

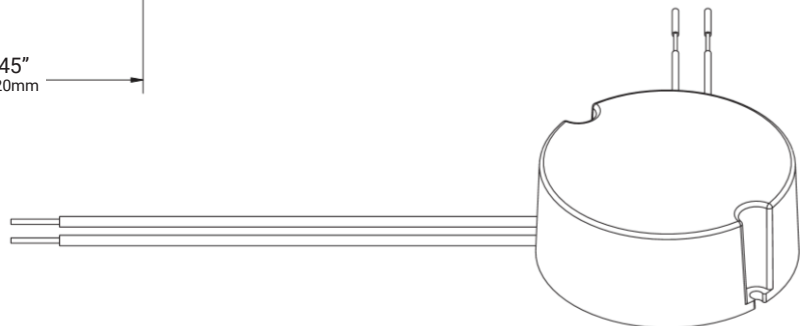
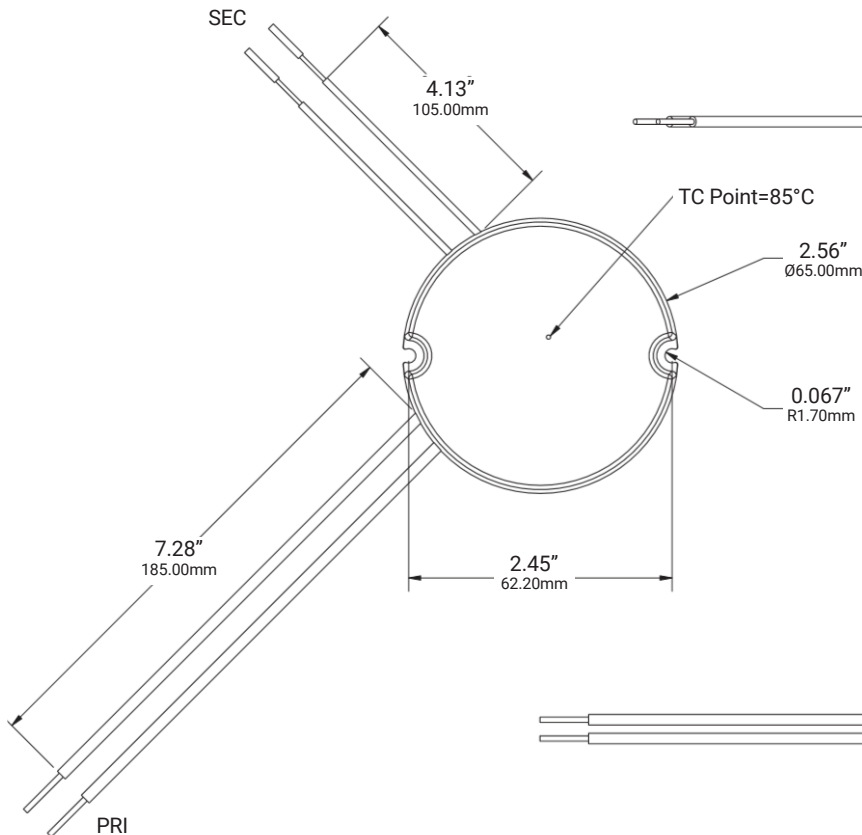
INPUT			
Input Voltage Range	100VAC - 120VAC		
Input Frequency	50 / 60Hz	50 / 60Hz	50 / 60Hz
Input Current	0.13A	0.175A	0.28A
Efficiency	82%	82%	82%
Power Factor	0.9	0.9	0.9
OUTPUT			
Max Load	9W	13W	30W
Output Current @ Max Load	200mA 350mA 500mA 700mA	350mA 500mA 700mA	700mA
Output Voltage Range	30-40.0 (200mA) 17-26.0 (350mA) 12-18.5 (500mA) 8-13.0 (700mA)	25-40.0 (350mA) 18-26.0 (500mA) 13-18.5 (700mA)	28-40.0 (700mA)
ENVIRONMENTAL			
Ambient Operating Temperature	60°C (Max)	60°C (Max)	50°C (Max)
DIMMING			
Minimum Dimming Level	5%	5%	5%
PROTECTION			
Tc	77°C (Max)	85°C (Max)	85°C (Max)
Over Voltage Protection	Hiccup	Hiccup	Hiccup
Over Current Protection	Hiccup	Hiccup	Hiccup
Short Circuit Protection	Hiccup	Hiccup	Hiccup
Over Temperature Protection	Hiccup	Hiccup	Hiccup
MECHANICAL HOUSING			
Primary Leads	5.50"	7.28"	5.54"
Secondary Leads	5.50"	4.13"	5.50"
Length	n/a	n/a	3.17" (80.52mm)
Width	2.16" Ø (54.87mm)	2.56" Ø (65.02mm)	3.09" (78.49mm)
Height	0.86" (21.84mm)	1.06" (26.92mm)	0.98" (24.89mm)
Weight	0.18 Lbs	0.22 Lbs	0.25 Lbs
Housing Material	ABS	ABS	ABS
Housing Color	Blue	Blue	Blue
Mounting	Two half hole flange mount		
APPROVAL MARKINGS			
Certificates / Approval Signs	UL8750, C22.2 NO. 256.13-12 FCC Part 15B, UL1310		

Mechanical Diagram

9W



13W



Mechanical Diagram

30W

