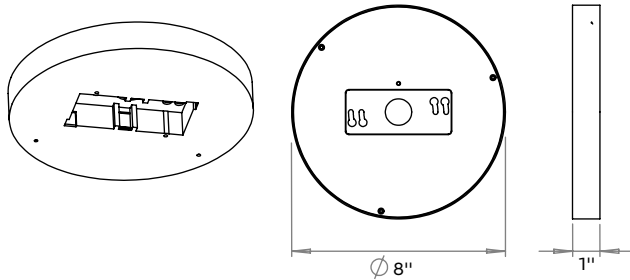


7" ROUND SLIM BRACKET LR23646B



TOOLS AND MATERIALS REQUIRED

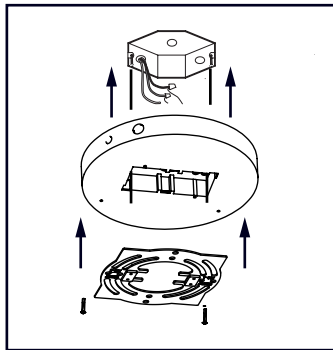


*Wiring supplies as required by the Canadian Electrical Code and/or the Quebec Electrical code.

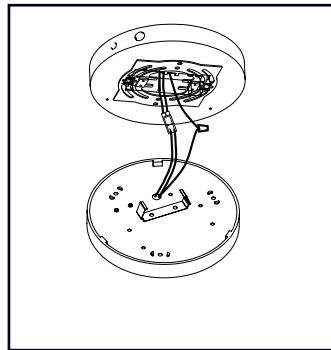
SAFETY RECOMMENDATIONS

1. The lighting shall be mounted at a height of maximum 4.0 m
 2. Do not use outdoors
 3. Do not mount near gas or electric heaters. Do not let power supply cords touch hot surfaces.
 4. Use caution when changing batteries - **TURN ALL POWER OFF, BOTH WALL SWITCH AND MAIN POWER!** Use only designated battery as supplied with original unit or as listed for use with this product. Dispose of old battery in designated disposal location.
 5. Equipment should be mounted in locations and at heights where it will not be subject to tampering by unauthorized personnel.
 6. This product is designed for use with the 7" Round or 7" Square Blink Pop "n" lock' series lighting. Must not be used with any other fixture.
 7. Do not use this product for other than the intended use.
- All serving should be performed by professional personnel.
SAVE THIS INSTRUCTIONS.

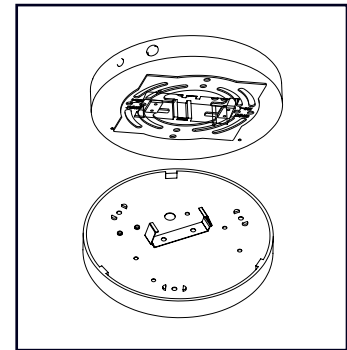
INSTALLATION



1. Screw the Bracket unit up into the junction box using the 2x8/32 screws provided. Screw mounting plate on to the bracket.



2. Feed wires through opening and make electrical connections with wire nuts.



3. Pop n lock into place.