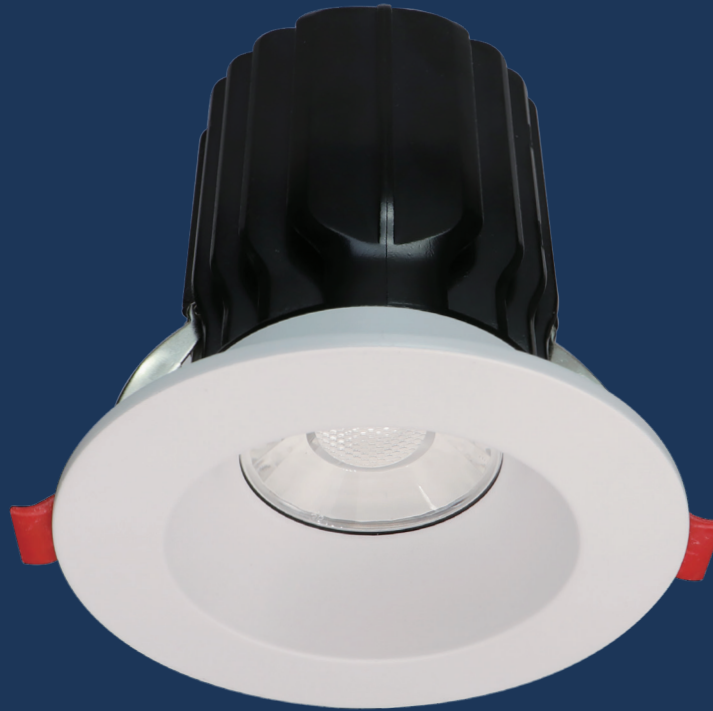


LUXRITE®

LED CANLESS - SPOTLIGHT JACKSONVILLE COLLECTION

3"



LR25105
LR25106

LR25037
LR25038

*TRIMS SOLD SEPARATELY

CRI
90

COLOR SELECTABLE
2700K 3000K 3500K 4000K 5000K

WATTAGE
SELECTABLE
2 OPTIONS

DIMMABLE
TRIAC

DUAL
DIMMING
TRIAC
0-10V

IC
RATED

AIR
TIGHT

WET
LOCATION
RATED

120V

120-
277V

5
YEARS
WARRANTY

ETL
Intertek

*SELECT
MODELS

*SELECT
MODELS

*SELECT
MODELS

LR25105

LED/DLMD3HO/FL/5CCT/D2



LR25106

LED/DLMD3HO/WFL/5CCT/D2



*TRIMS SOLD SEPARATELY

FRONT VIEW

APERTURE	3"
DISTRIBUTION	FIXED/WALL WASH
APPLICATION	NEW CONSTRUCTION & REMODEL

ELECTRICAL

POWER	15W
INPUT VOLTS	120V
INPUT CURRENT	0.125A
FREQUENCY	60Hz
DIMMING TYPE	TRIAC
DIMMING RANGE	10-100%
FEED WIRE GAUGE	18AWG
BREAKER SPECIFICATION *(15A @120V)	79pcs*

*Mathematically estimated value. Actual capacity may vary by breaker type and installation environment.

PHOTOMETRIC

COLOR CCT	2700K/3000K/3500K/4000K/5000K
CRI	90
LUMEN	1250lm
EFFICACY	83lm/w
BEAM ANGLE	LR25105: 38°
	LR25106: 60°

CERTIFICATIONS & SAFETY

LR25105	ETL
LR25106	ETL
IP RATING	IP-54
WET LOCATION	YES
IC RATED	YES
AIR TIGHT	YES
OPERATING TEMP.	-4°F to 104°F
COST/YR	\$ 1.80
WARRANTY	5 YR

MATERIAL & APPLICATION

HEAT SINK	DIE-CAST ALUMINUM
TRIM	ALUMINUM
LENS	PC ACRYLIC
CUTOUT	Ø3.15"
MOUNTING TYPE	RECESSED
AREA OF APPLICATION	RESIDENTIAL, COMMERCIAL
CEILING TYPE	DRYWALL, WOOD

DRIVER

MODEL	DESCRIPTION	POWER	INPUT VOLTS	INPUT CURRENT	FREQUENCY	INPUT POWER	OUTPUT VOLTAGE	DIMENSIONS	KNOCKOUTS
	INCLUDED DRIVER	15W	120V	0.125A	60Hz	15W max	36V DC	3.85"L X 2.32"W X 1.53"H	4
LR23418*	LED/URDL2/DRIVER/UNV/0-10V	18W	120-277V	150mA	60Hz	15W max	36V DC	5.43"L X 2.20"W X 2.20"H	2

MODEL	DESCRIPTION	EM POWER	INPUT VOLTS	INPUT CURRENT	FREQUENCY	INPUT POWER	OUTPUT VOLTAGE	RECHARGE TIME	EMERGENCY TIME
LR35126**	LED/EMR/15W/AC/SF/E	15W	100-347V	100mA	50/60Hz	12W max	170V DC	24HR	90MINS

*AMBIENT TEMPERATURE: 41°F ~ 122°F

**SOLD SEPARATELY

DIMENSIONS

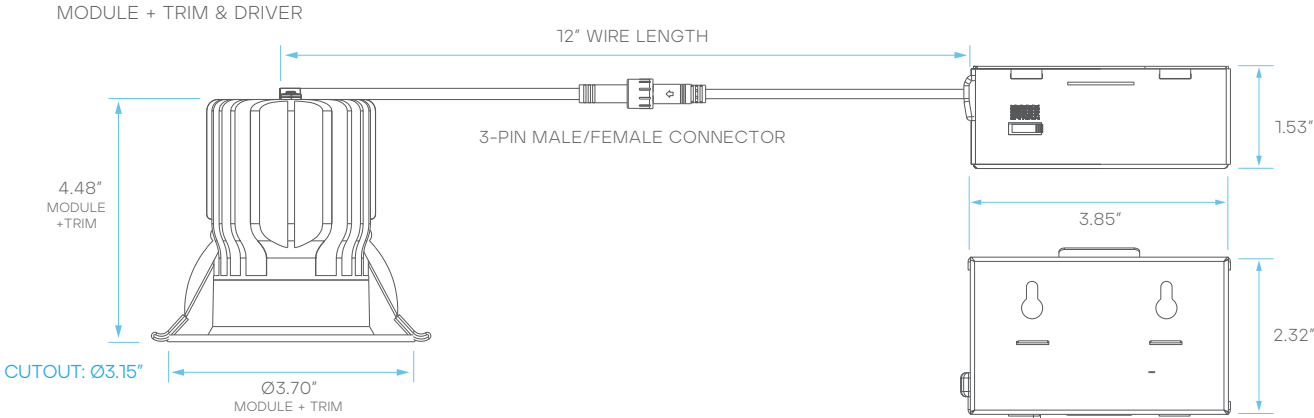
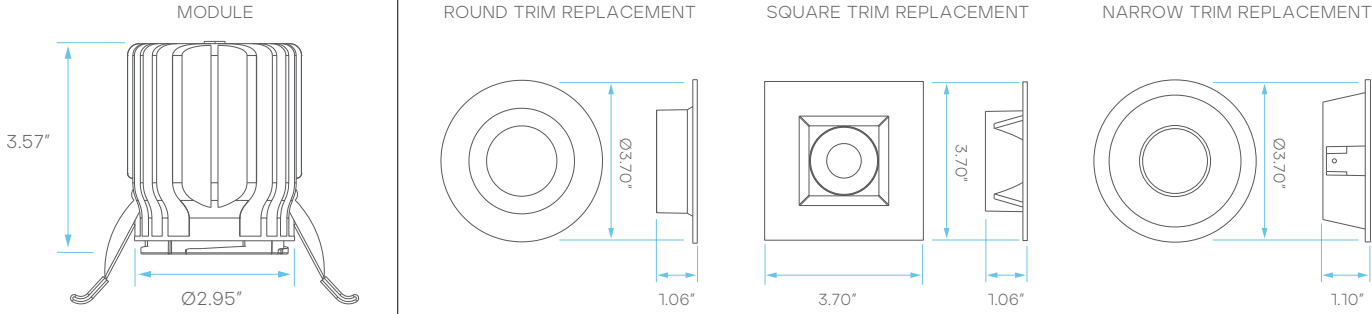
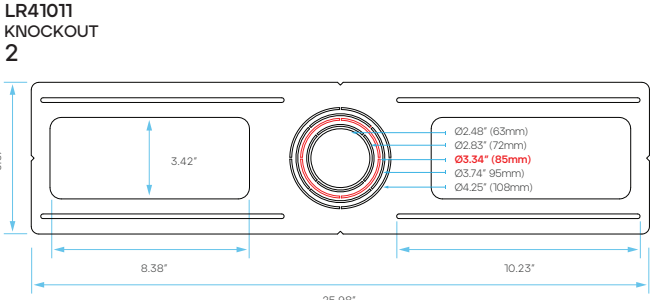
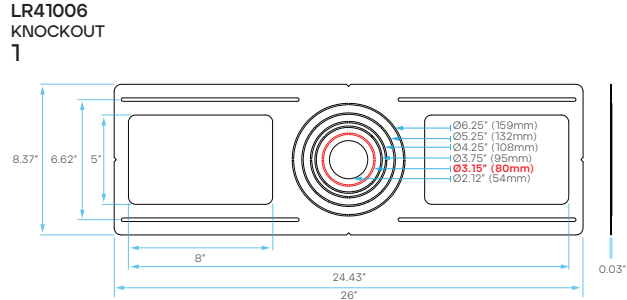
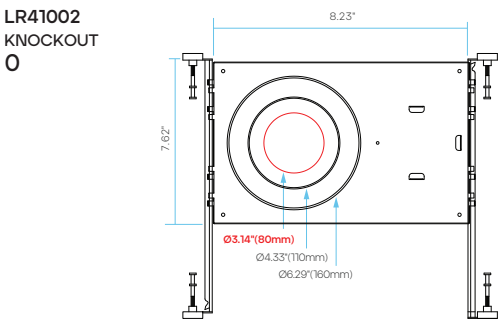
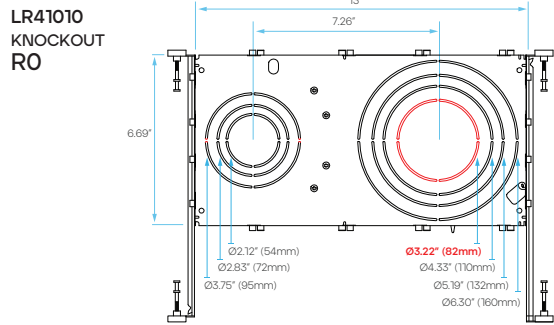


PLATE COMPATIBILITY*

*SOLD SEPARATELY



LR25037

LED/DLMD3VHO/2WO/5CCT/DD/UNV/FL



LR25038

LED/DLMD3VHO/2WO/5CCT/DD/UNV/WFL



*TRIMS SOLD SEPARATELY

FRONT VIEW

APERTURE	3"
DISTRIBUTION	FIXED/WALL WASH
APPLICATION	NEW CONSTRUCTION & REMODEL

ELECTRICAL

POWER	15W/20W - SELECTABLE
INPUT VOLTS	120-277V
INPUT CURRENT	340mA/460mA
FREQUENCY	60Hz
DIMMING TYPE	TRIAC/0-10V
DIMMING RANGE	10-100%
FEED WIRE GAUGE	18AWG
BREAKER SPECIFICATION (15A @120V)	59pcs* @ 20W

*Mathematically estimated value. Actual capacity may vary by breaker type and installation environment.

PHOTOMETRIC

COLOR CCT	2700K/3000K/3500K/4000K/5000K
CRI	90
LUMEN	1450lm @15W 2100lm @20W
EFFICACY	105l/w
BEAM ANGLE	LR25037: 38° LR25038: 60°

CERTIFICATIONS & SAFETY

LR25037	ETL
LR25038	ETL
IP RATING	IP-54
WET LOCATION	YES
IC RATED	YES @ 15W
AIR TIGHT	YES
OPERATING TEMP.	-4°F to 104°F
COST/YR	\$ 2.40
WARRANTY	5 YR

MATERIAL & APPLICATION

HEAT SINK	DIE-CAST ALUMINUM
TRIM	ALUMINUM
LENS	PC ACRYLIC
CUTOUT	Ø3.22"
MOUNTING TYPE	RECESSED
AREA OF APPLICATION	RESIDENTIAL, COMMERCIAL
CEILING TYPE	DRYWALL, WOOD

DRIVER

	POWER	INPUT VOLTS	INPUT CURRENT	FREQUENCY	INPUT POWER	OUTPUT VOLTAGE	DIMENSIONS	KNOCKOUTS
INCLUDED DRIVER	15W/20W	120-277V	340mA/460mA	60Hz	20W max	36V DC	8.18"L X 1.93"W X 1.71"H	3

MODEL	DESCRIPTION	EM POWER	INPUT VOLTS	INPUT CURRENT	FREQUENCY	INPUT POWER	OUTPUT VOLTAGE	RECHARGE TIME	EMERGENCY TIME
LR35126**	LED/EMR/15W/AC/SF/E	15W	100-347V	100mA	50/60Hz	12W max	170V DC	24HR	90MINS

*AMBIENT TEMPERATURE: 41°F ~ 122°F
*SOLD SEPARATELY

DIMENSIONS

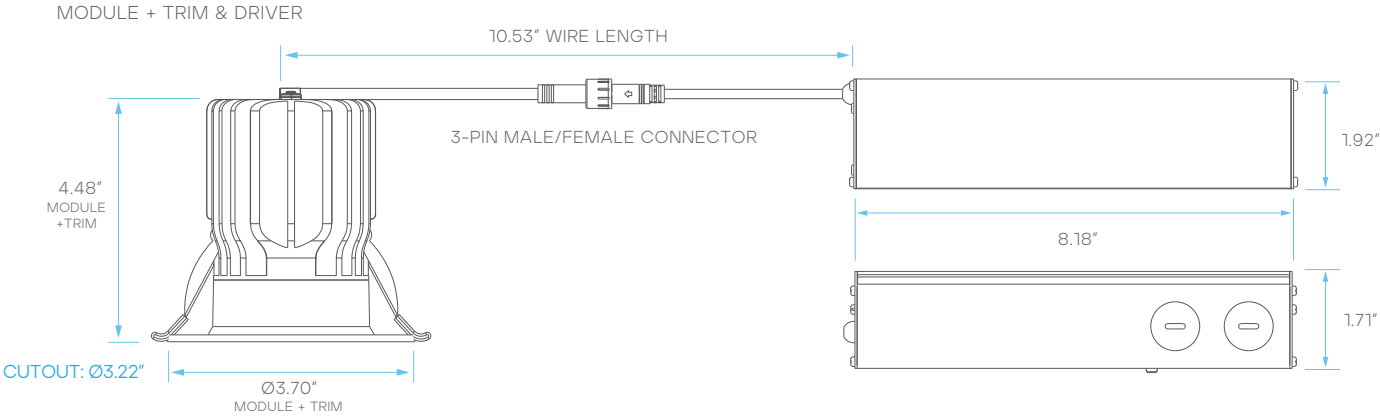
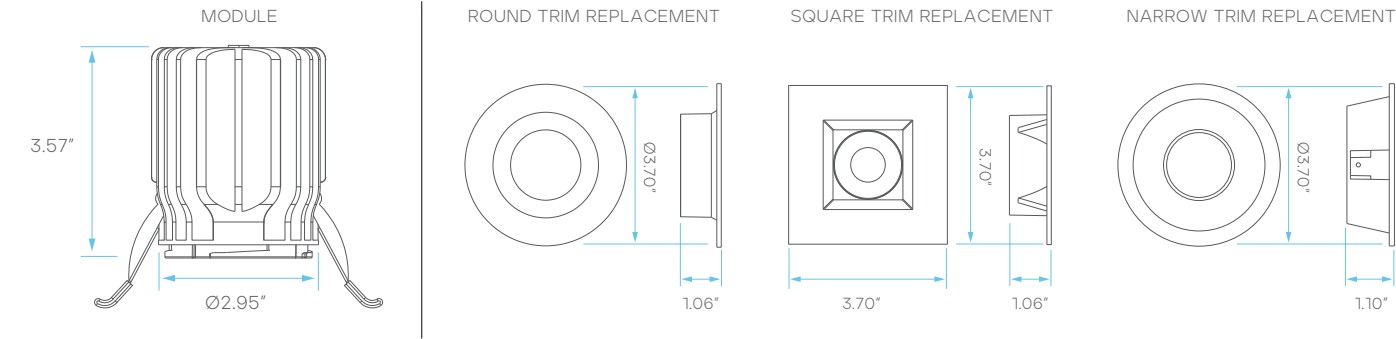
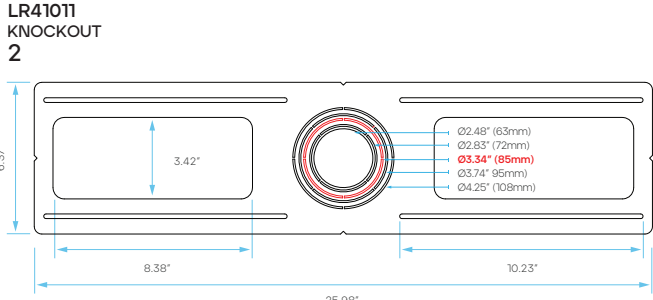
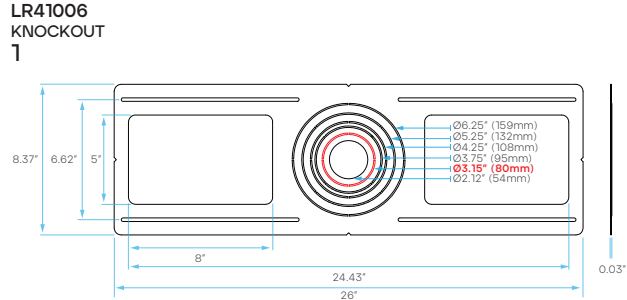
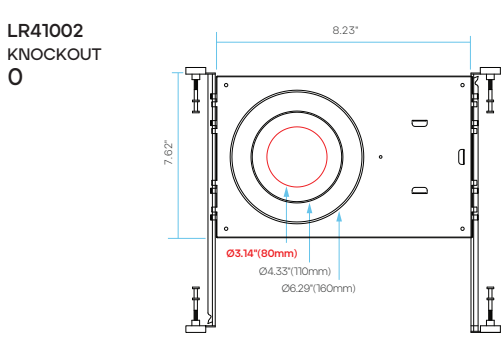
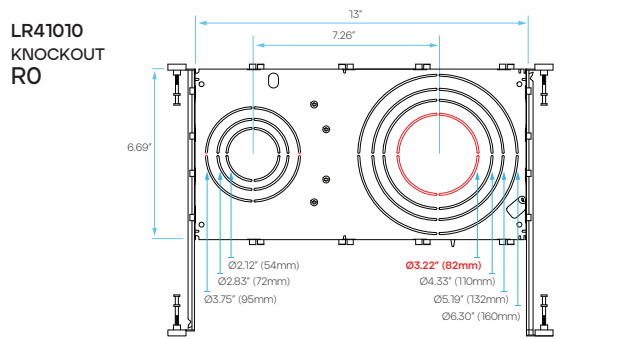














PLATE COMPATIBILITY*

*SOLD SEPARATELY





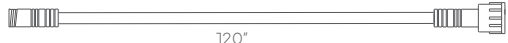
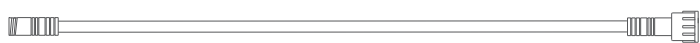
INTERCHANGEABLE TRIM OPTIONS*

*SOLD SEPARATELY

	MODEL	DESCRIPTION	SIZE	FINISH	SHAPE	APPLICATION
	LR25107	LED/DLMD3HO/TRIM/RD/W2	3"	WHITE	ROUND	FIXED
	LR25108	LED/DLMD3HO/TRIM/SQ/W2	3"	WHITE	SQUARE	FIXED
	LR25109	LED/DLMD3HO/TRIM/RD/BK2	3"	BLACK	ROUND	FIXED
	LR25101	LED/DLMD3/TRIM/SQ/BK2	3"	BLACK	SQUARE	FIXED
	LR25111	LED/DLMD3/TRIM/RD/BRS	3"	BRASS	ROUND	FIXED
	LR25114	LED/DLMD3/TRIM/SQ/BRS	3"	BRASS	SQUARE	FIXED
	LR25112	LED/DLMD3/TRIM/RD/BN	3"	BRUSHED NICKEL	ROUND	WALL WASHER
	LR25113	LED/DLMD3/TRIM/SQ/BN	3"	BRUSHED NICKEL	SQUARE	FIXED
	LR24923	LED/DLMD3/NTRIM/RD/WT	3"	WHITE	ROUND - NARROW	FIXED
	LR24924	LED/DLMD3/NTRIM/RD/BK	3"	BLACK	ROUND - NARROW	FIXED
	LR25098	LED/DLMD3/TRIM/WW/RD/W	3"	WHITE	ROUND	WALL WASHER
	LR25099	LED/DLMD3/TRIM/WW/SQ/W	3"	WHITE	SQUARE	WALL WASHER

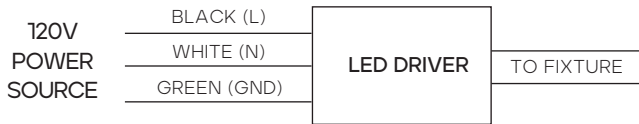
WIRE EXTENDER OPTIONS

*SOLD SEPARATELY

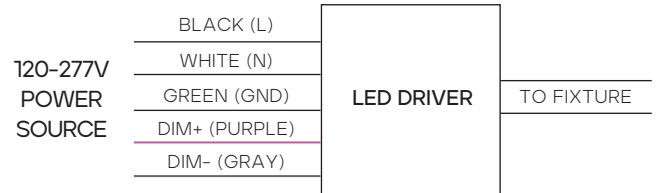
	MODEL	TYPE	WIRE GAUGE	
	LR41051	5' - 3 PIN	22 AWG	5' 
	LR41053	10' - 3 PIN	22 AWG	10' 
	LR41055	20' - 3 PIN	22 AWG	20' 

WIRING DIAGRAM

LR25105, LR25106
120V



LR25037, LR25038
120-277V



SUGGESTED COMPATIBLE DIMMER*

TRIAC DIMMING*

LUTRON	CTCL-153P
	DVCL-153PDH
	DVCL-153P
LEVITON	6672
	6674
PASS & SEYMOUR	HCL453PTCCCV6

0-10V DIMMING*

LUTRON	DIVA - DVTV
	DIVA - NFTV
	NOVA T - NTFTV
LEVITON	ILLUMATECH - IP7
LIGHTOLIER CONTROLS	ZP600FAM120
PHILIPS	SR1200ZTUNV

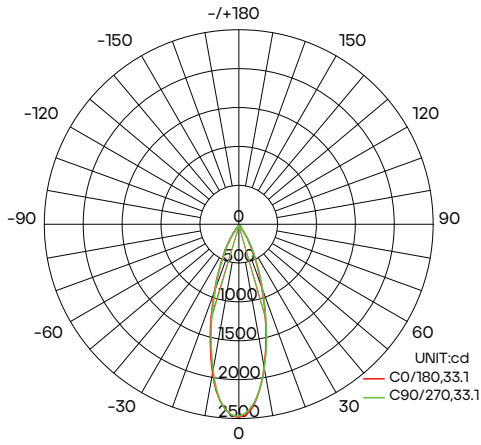
*Dimmer performance may vary based on load, wiring, and installation conditions. Inclusion on this chart does not guarantee compatibility for every installation, and omission does not indicate incompatibility. Refer to the dimmer manufacturer's installation instructions and verify minimum load requirements to avoid field issues.

PACKAGING

MODEL	STYLE	INNER BOX DIMENSIONS	MASTER CARTON DIMENSIONS	CASE
LR25105	INNER BOX + MASTER CARTON	7.67" X 5.70" X 3.14"	17.71" X 15.95" X 10.43"	18
LR25106	INNER BOX + MASTER CARTON	7.67" X 5.70" X 3.14"	17.71" X 15.95" X 10.43"	18
LR25037	INNER BOX + MASTER CARTON	9.05" X 7.08" X 3.14"	21.85" X 18.70" X 10.43"	18
LR25038	INNER BOX + MASTER CARTON	9.05" X 7.08" X 3.14"	21.85" X 18.70" X 10.43"	18

Luxrite® Luxiflow® tool is for informational purposes only, it is not intended to provide lighting or electrical advise.

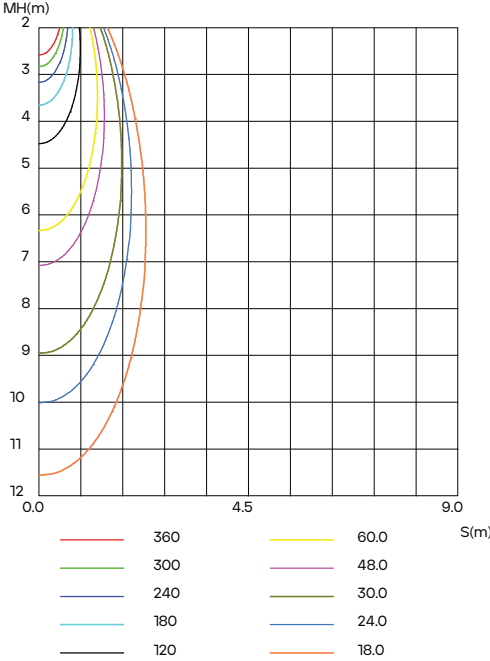
LUMINOUS INTENSITY DISTRIBUTION DIAGRAM



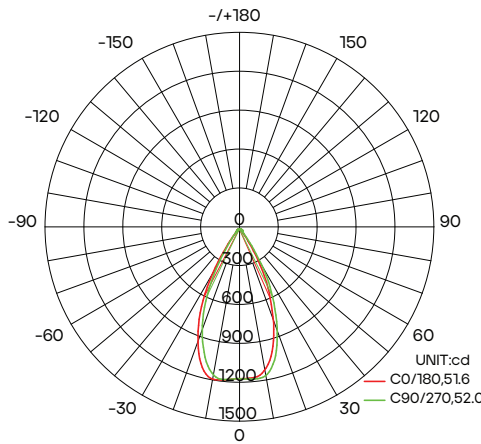
AVERAGE BEAM ANGLE(50%):33.1 DEG

*DIAGRAM SHOWING LR25105 AT 2700K - 15W

CO PLANE ISOLUX DIAGRAM (UNIT:lx/klm)



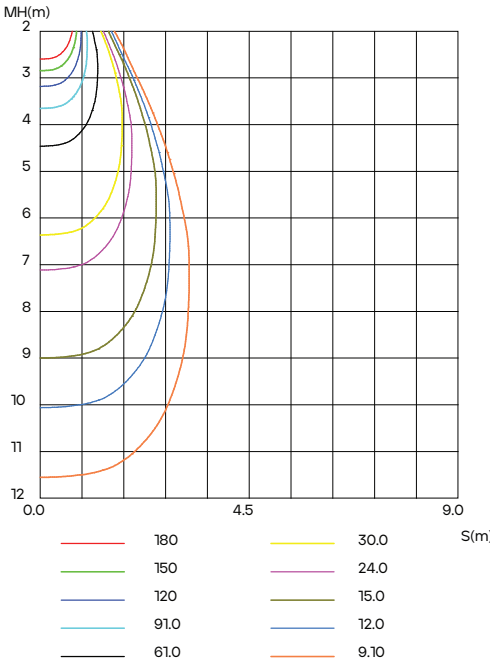
LUMINOUS INTENSITY DISTRIBUTION DIAGRAM



AVERAGE BEAM ANGLE(50%):51.8 DEG

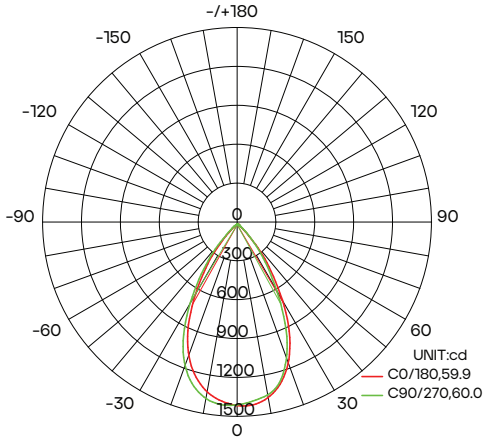
*DIAGRAM SHOWING LR25106 AT 2700K - 15W

CO PLANE ISOLUX DIAGRAM (UNIT:lx/klm)



Luxrite® Luxiflow® tool is for informational purposes only, it is not intended to provide lighting or electrical advise.

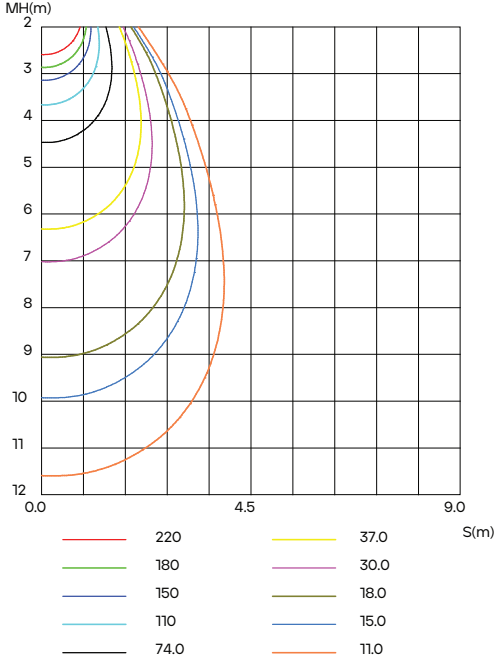
LUMINOUS INTENSITY DISTRIBUTION DIAGRAM



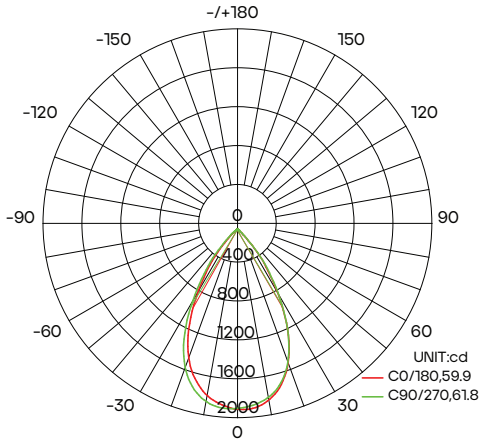
AVERAGE BEAM ANGLE(50%):59.9 DEG

*DIAGRAM SHOWING LR25038 AT 2700K - 15W

C0 PLANE ISOLUX DIAGRAM (UNIT:lx)



LUMINOUS INTENSITY DISTRIBUTION DIAGRAM



AVERAGE BEAM ANGLE(50%):60.8 DEG

*DIAGRAM SHOWING LR25038 AT 2700K - 20W

C0 PLANE ISOLUX DIAGRAM (UNIT:lx)

