

WARNING - PLEASE READ ALL INSTRUCTIONS PRIOR TO INSTALLATION

READ AND FOLLOW ALL WARNINGS AND INSTRUCTIONS BEFORE INSTALLING OR MAINTAINING THIS PRODUCT.

TURN OFF POWER PRIOR TO ANY WORK ON THE SYSTEM OR PRODUCT.

DO NOT INSTALL DAMAGED PRODUCT.

Installing, wiring, and maintenance must be done by qualified persons or a certified electrician in accordance with all local and National Electrical Codes.

Warranty is voided in case of unauthorized modifications and/or improper use.

Save these instructions. Use as reference when service or maintenance is performed.

CAUTION – Do not install any fixture assembly closer than 6 inches (15.24 cm) from any combustible material.

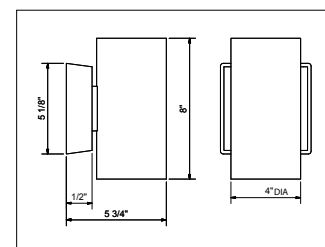
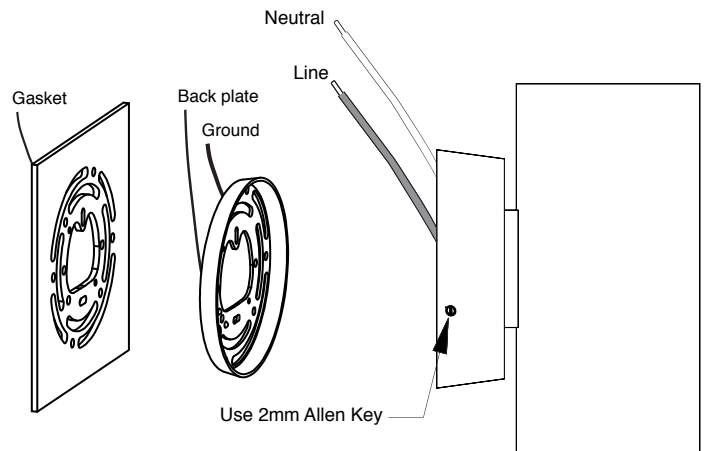
Suitable for dry and damp locations.

INSTRUCTIONS FOR USE

- 1 De-energize circuit before installation.
- 2 Use 2mm allen key to remove back plate.
- 3 Remove film on gasket and apply gasket to exterior of back plate.
- 4 Secure back plate with gasket facing mounting surface to J-Box (J-Box and mounting hardware supplied by others) for use with 3-1/2" and 4" octagonal or square recessed junction boxes with 2-3/4" mounting hole spacing. (appropriate device ring cover may be required and to be supplied by others)
- 5 Properly ground back plate and fixture in accordance with local and national electrical codes.
- 6 Connect primary voltage to the line and neutral leads of the fixture. Refer to product label for required input voltage.
- 7 Place fixture in desired position, and secure fixture to back plate using 2mm allen key.
- 8 Energize circuit and test for proper operation.
- 9 Upon proper operation, apply silicone to top and sides of fixture base. (not included)

PART NUMBERS

Part Number	Finish
105010	bk anthracite





WARNING



- To avoid possible electrical shock, before installing light fixtures, disconnect power by turning off the circuit breakers and the wall switch. Use appropriate lock out, tag out procedures.
- Ensure that supply voltage is correct by comparing to the luminaire label information.
- Make all electrical and grounding connections in accordance with the National Electrical Code (NEC) and any applicable local code requirements.
- Allow sufficient time for fixture and driver to cool before servicing.



CAUTION



- Wiring must be done in accordance with national and local electrical codes and ANSI/NFPA 70.
- PPE Personal Protective Equipment such as gloves and safety glasses should be used at all times when installing, maintaining, or servicing.
- Risk of fire. Keep combustible material away from fixtures.



ADVERTENCIA



- Para evitar posibles choques eléctricos, antes de instalar luminarios, desconecte el alimentación apagando los interruptores de circuito y el interruptor de pared. Use adecuado procedimientos de bloqueo y etiquetas.
- Compruebe que el voltaje de alimentación es correcto comparándolo con la información de etiqueta de el luminario.
- Hacer todas las conexiones eléctricas y puesta a tierra de acuerdo con el código eléctrico nacional (NEC) y los requisitos del código local aplicable.
- Permita suficiente tiempo para enfriar el luminario antes de empesar servicio.



PRECAUCION



- Todo el cableado debe hacerse de conformidad con los códigos eléctricos nacionales y locales y ANSI/NFPA 70. Si no está familiarizado con el cableado, debe utilizar a un electricista certificado.
- Equipo de protección personal como guantes y lentes de seguridad se debe utilizar al instalar, mantener o reparar.
- Riesgo de incendio. Mantenga los materiales combustibles lejos de los luminarios.



AVERTISSEMENT



- Pour éviter les chocs électriques, avant d'installer des appareils d'éclairage, coupez l'alimentation en désactivant les disjoncteurs et l'interrupteur mural. Utilisation appropriée est bloquée, balise les procédures.
- Assurez-vous que la tension d'alimentation est correcte en comparant les informations d'étiquette de luminaire.
- Faire tous les raccordements électriques et mise à la terre selon le Code électrique National (NEC) et des exigences du code local applicable.
- Laisser suffisamment de temps pour luminaire et lampe refroidir avant l'entretien.



MIS EN GARDE



- Câblage doit être conforme aux codes électriques locaux et nationaux et ANSI/NFPA 70.
- EPI équipement de protection personnelle comme des gants et des lunettes de sécurité doivent être utilisé en tout temps lors de l'installation, maintenance et entretien.
- Risque d'incendie. Garder les matières combustibles loin de luminaires.