

# LUXRITE®

## LED CANLESS - SPOTLIGHT LANCASTER COLLECTION FLOATING GIMBAL

2"



LR23330

3"



LR23331

4"



LR23332

4"



LR23335

4"  
TWO HEAD



LR23336

6"



LR23333



COLOR SELECTABLE

2700K 3000K 3500K 4000K 5000K



## LR23330

LED7W/DL2/FGB/5CCT/RD



APERTURE	2"
DISTRIBUTION	GIMBAL
APPLICATION	NEW CONSTRUCTION/REMODEL

### ELECTRICAL

POWER	7W
INPUT VOLTS	120V
INPUT CURRENT	58mA
FREQUENCY	50/60Hz
DIMMING TYPE	TRIAC
DIMMING RANGE	10-100%
FEED WIRE GAUGE	24AWG
BREAKER SPECIFICATION (15A @120V)	171pcs*

\*Mathematically estimated value. Actual capacity may vary by breaker type and installation environment.

### PHOTOMETRIC

COLOR CCT	2700K/3000K/3500K/4000K/5000K
CRI	90
LUMEN	600lm
EFFICACY	85lm/w
BEAM ANGLE	36°

### CERTIFICATIONS & SAFETY

LR23330	ETL
IP RATING	IP44
DAMP LOCATION	YES
IC RATED	YES
AIR TIGHT	YES
OPERATING TEMP.	-4°F to 104°F
COST/YR	\$ 0.84
WARRANTY	3 YR

### MATERIAL & APPLICATION

HOUSING	ALUMINUM
LENS	PC
CUTOUT	Ø2.75"
MOUNTING TYPE	RECESSED
ROTATION	360°
TILT	90°
AREA OF APPLICATION	RESIDENTIAL, COMMERCIAL
CEILING TYPE	DRYWALL, WOOD

### DRIVER

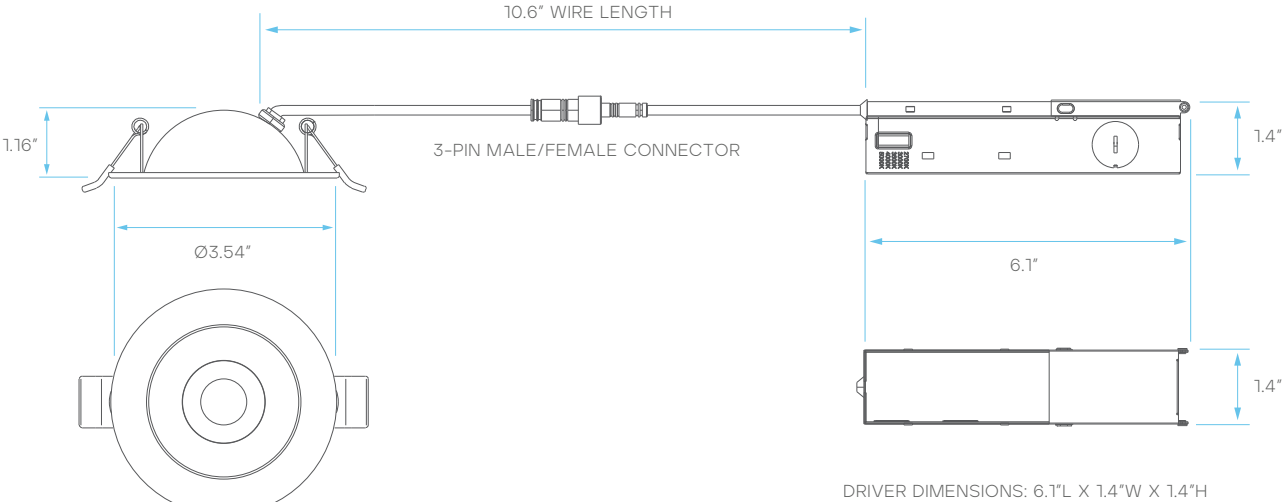
	POWER	INPUT VOLTS	INPUT CURRENT	FREQUENCY	INPUT POWER	OUTPUT VOLTAGE	DIMENSIONS	KNOCKOUTS
INCLUDED DRIVER	7W	120V	58mA	50/60Hz	7W max	36V DC	6.1"L X 1.4"W X 1.4"H	2

MODEL	DESCRIPTION	EM POWER	INPUT VOLTS	INPUT CURRENT	FREQUENCY	INPUT POWER	OUTPUT VOLTAGE	RECHARGE TIME	EMERGENCY TIME
LR35126**	LED/EMR/15W/AC/SF/E	15	100-347V	100mA	50/60Hz	12W max	170V DC	24HR	90MINS

\*AMBIENT TEMPERATURE: 41°F ~ 122°F  
\*\*SOLD SEPARATELY

## DIMENSIONS

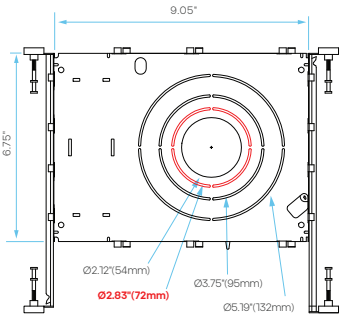
CUTOUT: Ø2.75"



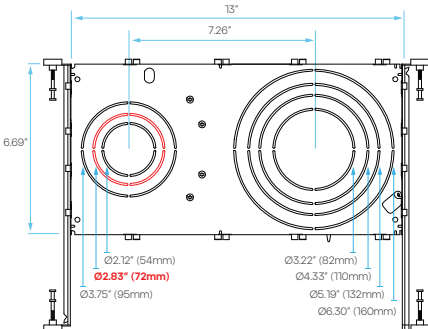
## PLATE COMPATIBILITY\*

\*SOLD SEPARATELY

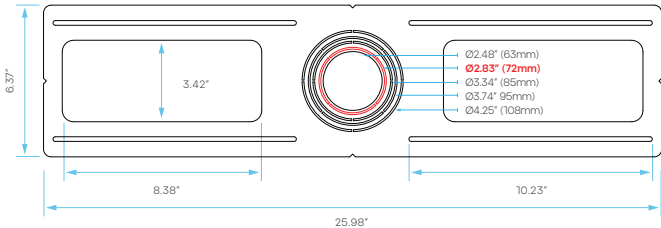
LR41004  
KNOCKOUT  
1



LR41010  
KNOCKOUT  
L1



LR41011  
KNOCKOUT  
1



## LR23331

LED9W/DL3/FGB/5CCT/RD



APERTURE	3"
DISTRIBUTION	GIMBAL
APPLICATION	NEW CONSTRUCTION/REMODEL

### ELECTRICAL

POWER	9W
INPUT VOLTS	120V
INPUT CURRENT	75mA
FREQUENCY	50/60Hz
DIMMING TYPE	TRIAC
DIMMING RANGE	10-100%
FEED WIRE GAUGE	24AWG
BREAKER SPECIFICATION *(15A @120V)	133pcs*

\*Mathematically estimated value. Actual capacity may vary by breaker type and installation environment.

### PHOTOMETRIC

COLOR CCT	2700K/3000K/3500K/4000K/5000K
CRI	90
LUMEN	700lm
EFFICACY	77lm/w
BEAM ANGLE	50°

### CERTIFICATIONS & SAFETY

LR23331	ETL
IP RATING	IP44
DAMP LOCATION	YES
IC RATED	YES
AIR TIGHT	YES
OPERATING TEMP.	-4°F to 104°F
COST/YR	\$ 1.08
WARRANTY	3 YR

### MATERIAL & APPLICATION

HOUSING	ALUMINUM
LENS	PC
CUTOUT	Ø3.54"
MOUNTING TYPE	RECESSED
ROTATION	360°
TILT	90°
AREA OF APPLICATION	RESIDENTIAL, COMMERCIAL
CEILING TYPE	DRYWALL, WOOD

### DRIVER

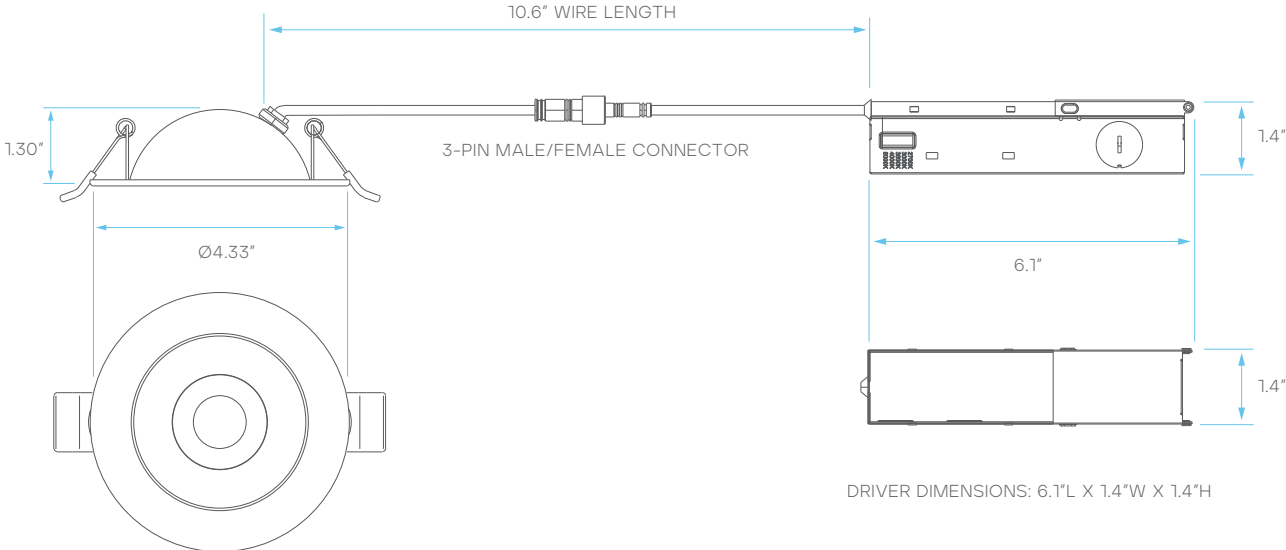
	POWER	INPUT VOLTS	INPUT CURRENT	FREQUENCY	INPUT POWER	OUTPUT VOLTAGE	DIMENSIONS	KNOCKOUTS
INCLUDED DRIVER	9W	120V	75mA	50/60Hz	5W max	36V DC	6.1"L X 1.4"W X 1.4"H	2

MODEL	DESCRIPTION	EM POWER	INPUT VOLTS	INPUT CURRENT	FREQUENCY	INPUT POWER	OUTPUT VOLTAGE	RECHARGE TIME	EMERGENCY TIME
LR35126**	LED/EMR/15W/AC/SF/E	15	100-347V	100mA	50/60Hz	12W max	170V DC	24HR	90MINS

\*AMBIENT TEMPERATURE: 41°F ~ 122°F  
\*SOLD SEPARATELY

## DIMENSIONS

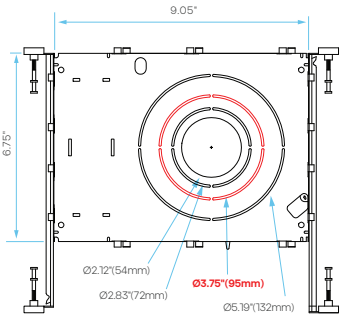
CUTOUT: Ø3.54"



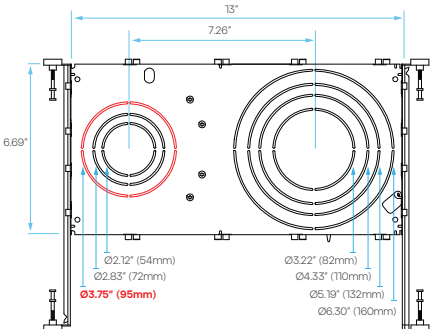
## PLATE COMPATIBILITY\*

\*SOLD SEPARATELY

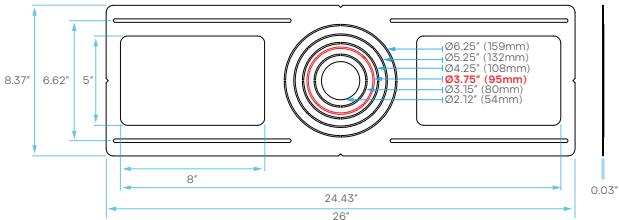
LR41004  
KNOCKOUT  
2



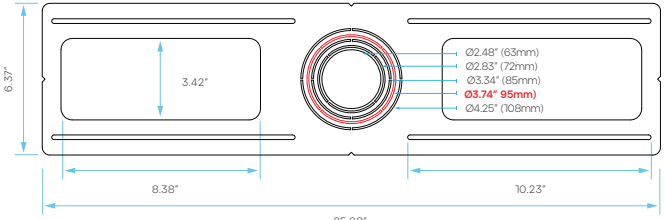
LR41010  
KNOCKOUT  
L2



LR41006  
KNOCKOUT  
2



LR41011  
KNOCKOUT  
3



## LR23332

LED10W/DL4/FGB/5CCT/RD



APERTURE	4"
DISTRIBUTION	GIMBAL
APPLICATION	NEW CONSTRUCTION/REMODEL

### ELECTRICAL

POWER	10W
INPUT VOLTS	120V
INPUT CURRENT	83mA
FREQUENCY	50/60Hz
DIMMING TYPE	TRIAC
DIMMING RANGE	10-100%
FEED WIRE GAUGE	24AWG
BREAKER SPECIFICATION *(15A @120V)	119pcs*

\*Mathematically estimated value. Actual capacity may vary by breaker type and installation environment.

### PHOTOMETRIC

COLOR CCT	2700K/3000K/3500K/4000K/5000K
CRI	90
LUMEN	1000lm
EFFICACY	100lm/w
BEAM ANGLE	50°

### CERTIFICATIONS & SAFETY

LR23332	ETL
IP RATING	IP44
DAMP LOCATION	YES
IC RATED	YES
AIR TIGHT	YES
OPERATING TEMP.	-4°F to 104°F
COST/YR	\$ 1.20
WARRANTY	3 YR

### MATERIAL & APPLICATION

HOUSING	ALUMINUM
LENS	PC
CUTOUT	Ø4"
MOUNTING TYPE	RECESSED
ROTATION	360°
TILT	90°
AREA OF APPLICATION	RESIDENTIAL, COMMERCIAL
CEILING TYPE	DRYWALL, WOOD

### DRIVER

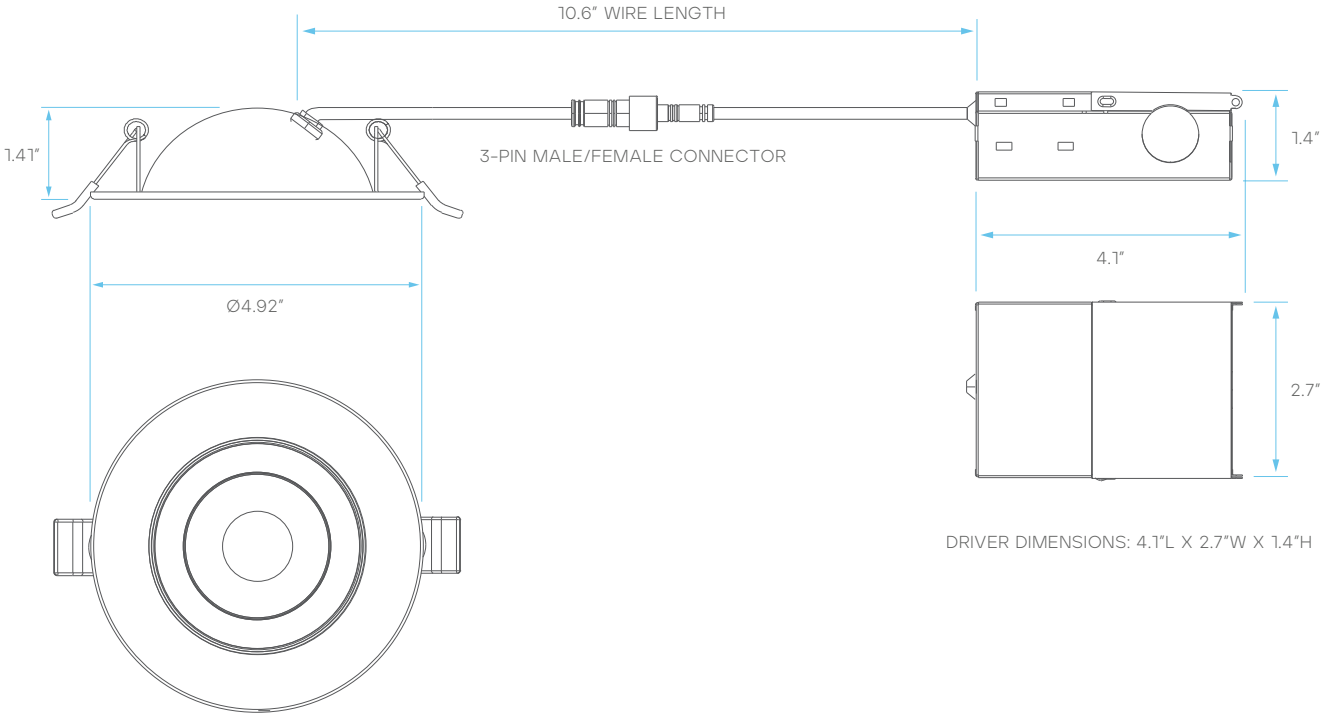
	POWER	INPUT VOLTS	INPUT CURRENT	FREQUENCY	INPUT POWER	OUTPUT VOLTAGE	DIMENSIONS	KNOCKOUTS
INCLUDED DRIVER	10W	120V	83mA	50/60Hz	10W max	36V DC	4.1"L X 2.7"W X 1.4"H	2

MODEL	DESCRIPTION	EM POWER	INPUT VOLTS	INPUT CURRENT	FREQUENCY	INPUT POWER	OUTPUT VOLTAGE	RECHARGE TIME	EMERGENCY TIME
LR35126**	LED/EMR/15W/AC/SF/E	15	100-347V	100mA	50/60Hz	12W max	170V DC	24HR	90MINS

\*AMBIENT TEMPERATURE: 41°F ~ 122°F  
\*\*SOLD SEPARATELY

## DIMENSIONS

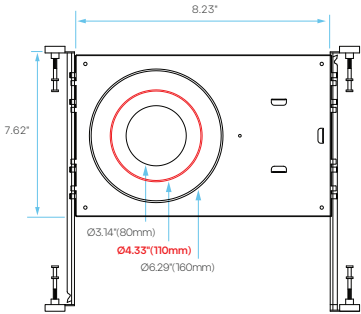
CUTOUT: Ø4"



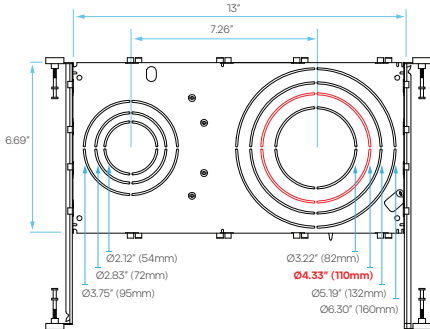
## PLATE COMPATIBILITY\*

\*SOLD SEPARATELY

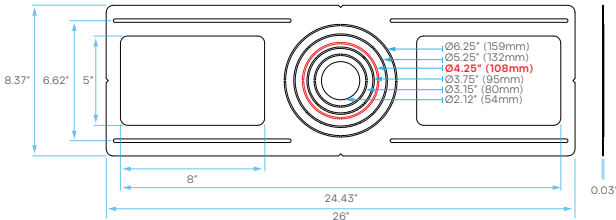
LR41002  
KNOCKOUT  
1



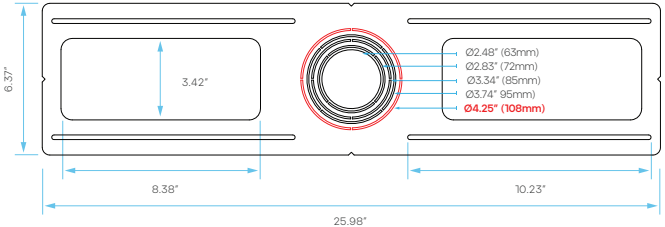
LR41010  
KNOCKOUT  
R1



LR41006  
KNOCKOUT  
3



LR41011  
KNOCKOUT  
4



## LR23335 LED10W/DL4/FGB/5CCT/SQ



APERTURE	4"
DISTRIBUTION	GIMBAL
APPLICATION	NEW CONSTRUCTION/REMODEL

### ELECTRICAL

POWER	10W
INPUT VOLTS	120V
INPUT CURRENT	83mA
FREQUENCY	50/60Hz
DIMMING TYPE	TRIAC
DIMMING RANGE	10-100%
FEED WIRE GAUGE	24AWG
BREAKER SPECIFICATION (15A @120V)	119pcs*

\*Mathematically estimated value. Actual capacity may vary by breaker type and installation environment.

### PHOTOMETRIC

COLOR CCT	2700K/3000K/3500K/4000K/5000K
CRI	90
LUMEN	1000lm
EFFICACY	100lm/w
BEAM ANGLE	50°

### CERTIFICATIONS & SAFETY

LR23335	ETL
IP RATING	IP44
DAMP LOCATION	YES
IC RATED	YES
AIR TIGHT	YES
OPERATING TEMP.	-4°F to 104°F
COST/YR	\$ 1.20
WARRANTY	3 YR

### MATERIAL & APPLICATION

HOUSING	ALUMINUM
LENS	PC
CUTOUT	Ø4"
MOUNTING TYPE	RECESSED
ROTATION	360°
TILT	90°
AREA OF APPLICATION	RESIDENTIAL, COMMERCIAL
CEILING TYPE	DRYWALL, WOOD

### DRIVER

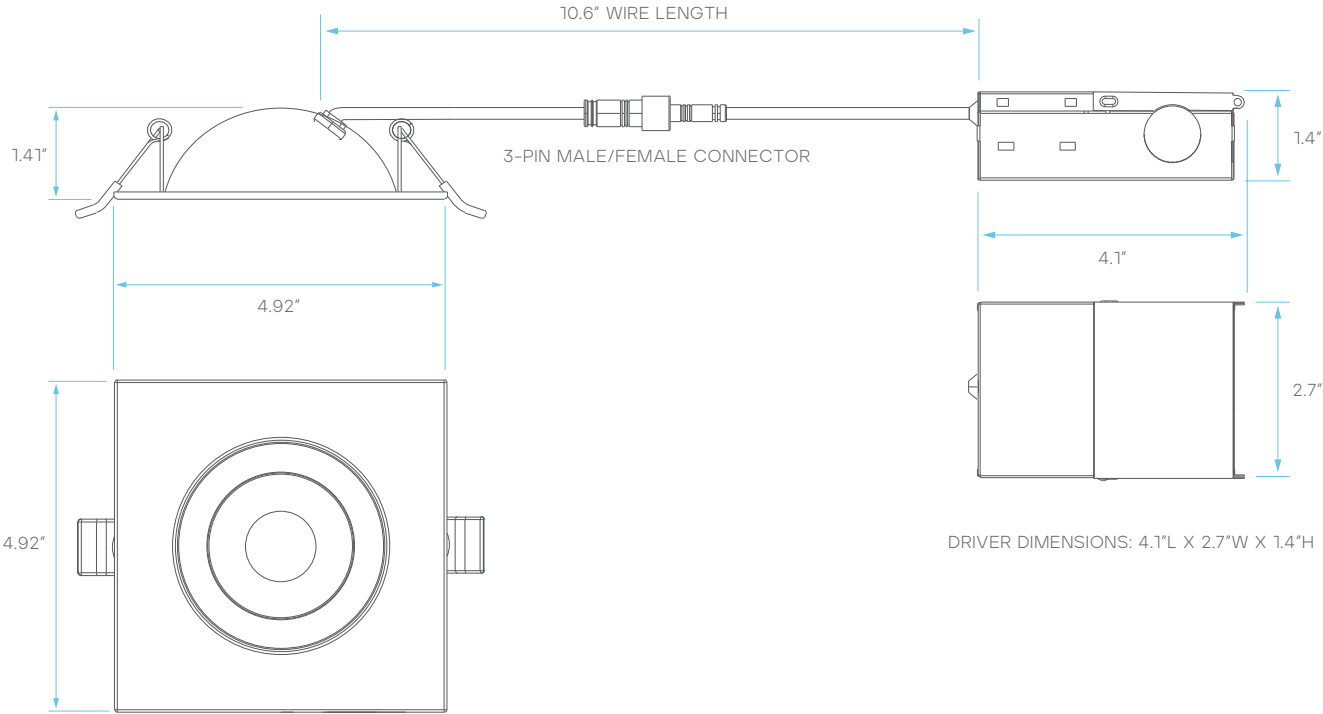
	POWER	INPUT VOLTS	INPUT CURRENT	FREQUENCY	INPUT POWER	OUTPUT VOLTAGE	DIMENSIONS	KNOCKOUTS
INCLUDED DRIVER	10W	120V	83mA	50/60Hz	10W max	36V DC	7.08"L X 1.29"W X 1.29"H	2

MODEL	DESCRIPTION	EM POWER	INPUT VOLTS	INPUT CURRENT	FREQUENCY	INPUT POWER	OUTPUT VOLTAGE	RECHARGE TIME	EMERGENCY TIME
LR35126**	LED/EMR/15W/AC/SF/E	15	100-347V	100mA	50/60Hz	12W max	170V DC	24HR	90MINS

\*AMBIENT TEMPERATURE: 41°F ~ 122°F  
\*\*SOLD SEPARATELY

## DIMENSIONS

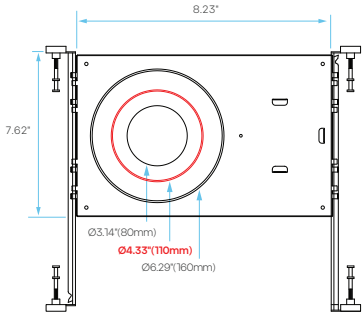
CUTOUT: Ø4"



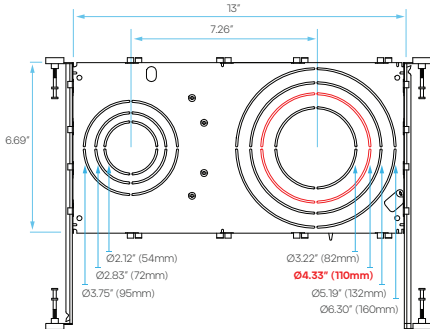
## PLATE COMPATIBILITY\*

\*SOLD SEPARATELY

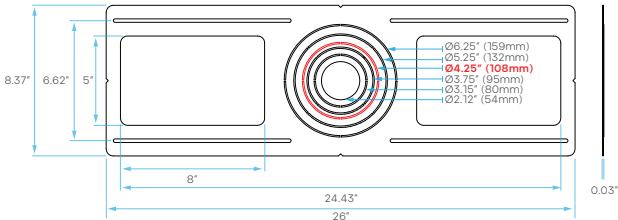
LR41002  
KNOCKOUT  
1



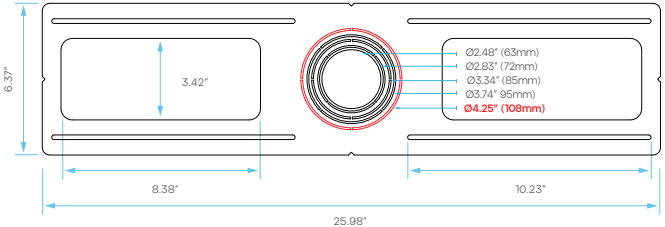
LR41010  
KNOCKOUT  
R1



LR41006  
KNOCKOUT  
3



LR41011  
KNOCKOUT  
4



## LR23336

LED20W/DL4/2HD/FGB/5CCT/SQ



APERTURE	4" - TWO HEAD
DISTRIBUTION	GIMBAL
APPLICATION	NEW CONSTRUCTION/REMODEL

### ELECTRICAL

POWER	20W
INPUT VOLTS	120V
INPUT CURRENT	167mA
FREQUENCY	50/60Hz
DIMMING TYPE	TRIAC
DIMMING RANGE	10-100%
FEED WIRE GAUGE	24AWG
BREAKER SPECIFICATION (15A @120V)	59pcs*

\*Mathematically estimated value. Actual capacity may vary by breaker type and installation environment.

### PHOTOMETRIC

COLOR CCT	2700K/3000K/3500K/4000K/5000K
CRI	90
LUMEN	1800lm
EFFICACY	90lm/w
BEAM ANGLE	50°

### CERTIFICATIONS & SAFETY

LR23336	ETL
IP RATING	IP44
DAMP LOCATION	YES
IC RATED	YES
AIR TIGHT	YES
OPERATING TEMP.	-4°F to 104°F
COST/YR	\$ 2.40
WARRANTY	3 YR

### MATERIAL & APPLICATION

HOUSING	ALUMINUM
LENS	PC
CUTOUT	8" X 4"
MOUNTING TYPE	RECESSED
ROTATION	360°
TILT	90°
AREA OF APPLICATION	RESIDENTIAL, COMMERCIAL
CEILING TYPE	DRYWALL, WOOD

### DRIVER

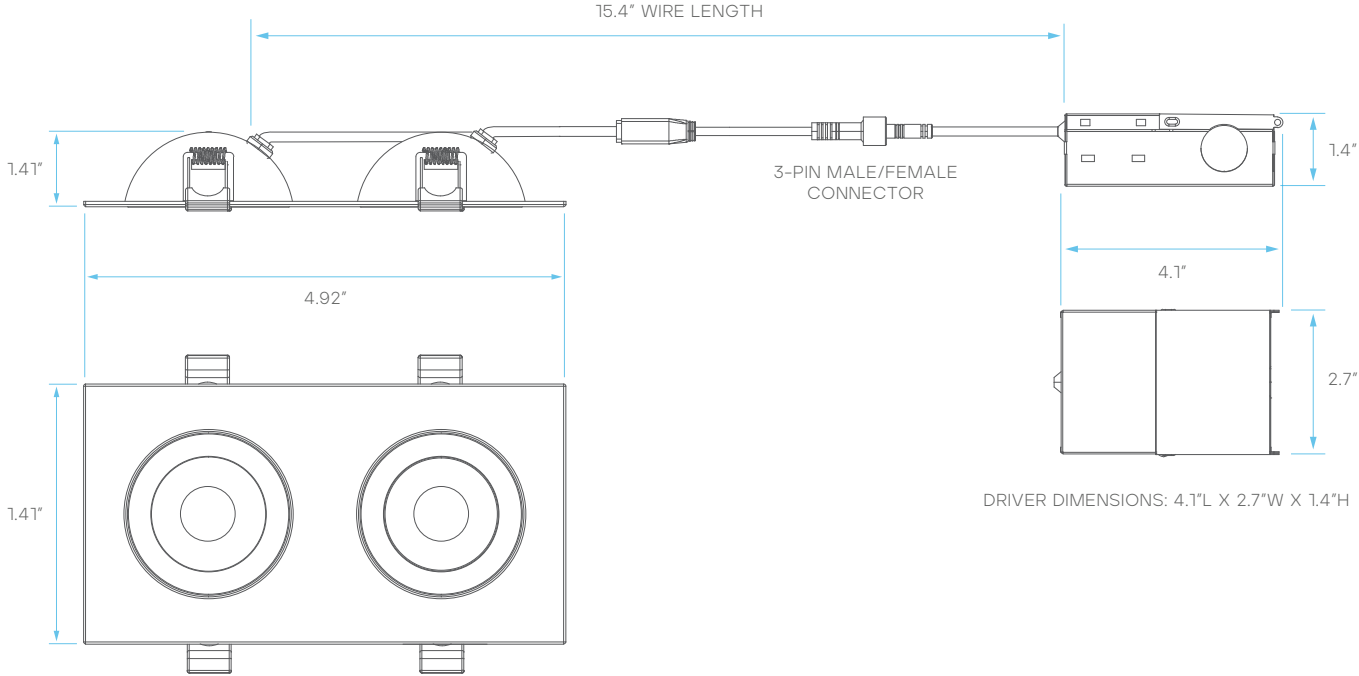
	POWER	INPUT VOLTS	INPUT CURRENT	FREQUENCY	INPUT POWER	OUTPUT VOLTAGE	DIMENSIONS	KNOCKOUTS
INCLUDED DRIVER	20W	120V	167mA	50/60Hz	20W max	36V DC	7.08"L X 1.29"W X 1.29"H	2

MODEL	DESCRIPTION	EM POWER	INPUT VOLTS	INPUT CURRENT	FREQUENCY	INPUT POWER	OUTPUT VOLTAGE	RECHARGE TIME	EMERGENCY TIME
LR35126**	LED/EMR/15W/AC/SF/E	15	100-347V	100mA	50/60Hz	12W max	170V DC	24HR	90MINS

\*AMBIENT TEMPERATURE: 41°F ~ 122°F  
\*\*SOLD SEPARATELY

## DIMENSIONS

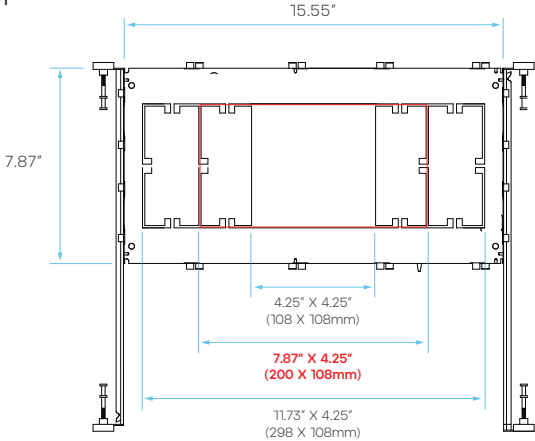
CUTOUT: 8" X 4"



## PLATE COMPATIBILITY\*

\*SOLD SEPARATELY

LR41013  
KNOCKOUT  
1



## LR23333

LED15W/DL6/FGB/5CCT/RD



APERTURE	6"
DISTRIBUTION	GIMBAL
APPLICATION	NEW CONSTRUCTION/REMODEL

### ELECTRICAL

POWER	15W
INPUT VOLTS	120V
INPUT CURRENT	125mA
FREQUENCY	50/60Hz
DIMMING TYPE	TRIAC
DIMMING RANGE	10-100%
FEED WIRE GAUGE	24AWG
BREAKER SPECIFICATION *(15A @120V)	79pcs*

\*Mathematically estimated value. Actual capacity may vary by breaker type and installation environment.

### PHOTOMETRIC

COLOR CCT	2700K/3000K/3500K/4000K/5000K
CRI	90
LUMEN	1200lm
EFFICACY	80lm/w
BEAM ANGLE	50°

### CERTIFICATIONS & SAFETY

LR23333	ETL
IP RATING	IP44
DAMP LOCATION	YES
IC RATED	YES
AIR TIGHT	YES
OPERATING TEMP.	-4°F to 104°F
COST/YR	\$ 1.80
WARRANTY	3 YR

### MATERIAL & APPLICATION

HOUSING	ALUMINUM
LENS	PC
CUTOUT	Ø6"
MOUNTING TYPE	RECESSED
ROTATION	360°
TILT	90°
AREA OF APPLICATION	RESIDENTIAL, COMMERCIAL
CEILING TYPE	DRYWALL, WOOD

### DRIVER

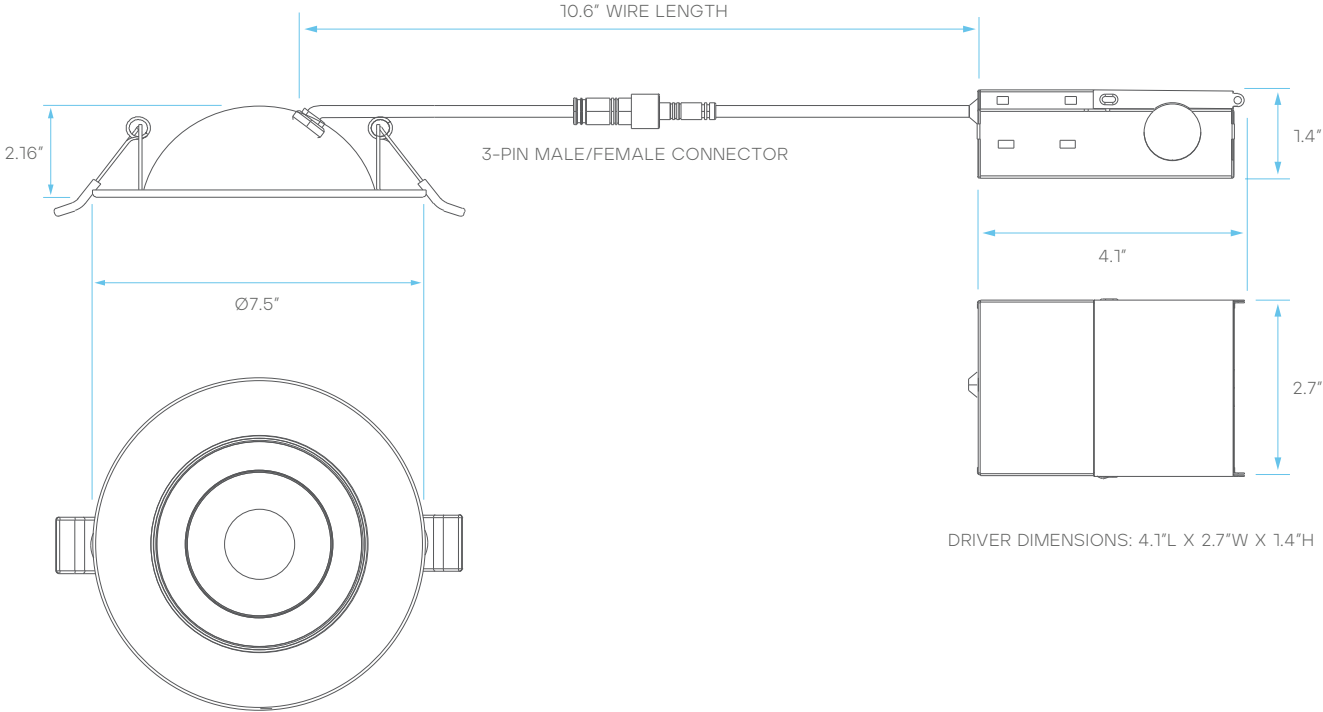
	POWER	INPUT VOLTS	INPUT CURRENT	FREQUENCY	INPUT POWER	OUTPUT VOLTAGE	DIMENSIONS	KNOCKOUTS
INCLUDED DRIVER	15W	120V	125mA	50/60Hz	15W max	36V DC	4.1"L X 2.7"W X 1.4"H	2

MODEL	DESCRIPTION	EM POWER	INPUT VOLTS	INPUT CURRENT	FREQUENCY	INPUT POWER	OUTPUT VOLTAGE	RECHARGE TIME	EMERGENCY TIME
LR35126**	LED/EMR/15W/AC/SF/E	15	100-347V	100mA	50/60Hz	12W max	170V DC	24HR	90MINS

\*AMBIENT TEMPERATURE: 41°F ~ 122°F  
\*\*SOLD SEPARATELY

## DIMENSIONS

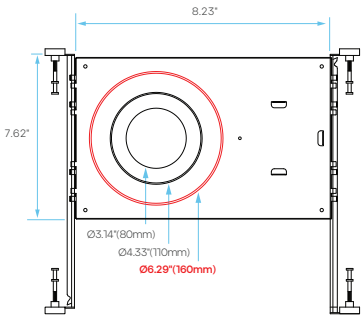
CUTOUT: Ø6"



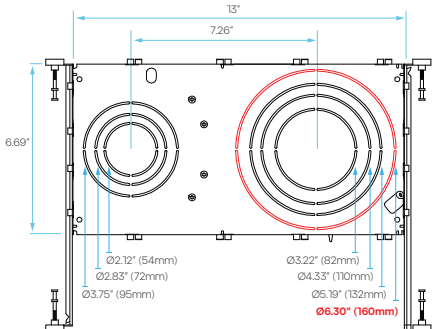
## PLATE COMPATIBILITY\*

\*SOLD SEPARATELY

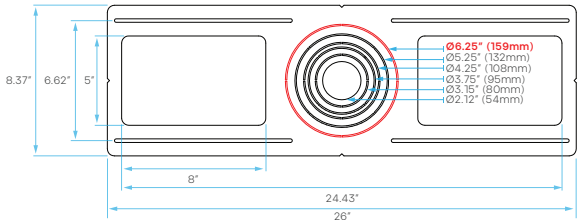
LR41002  
KNOCKOUT  
2



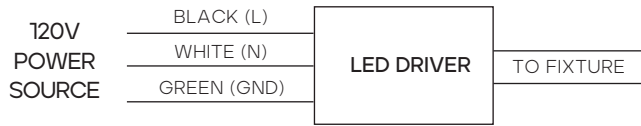
LR41010  
KNOCKOUT  
R3



LR41006  
KNOCKOUT  
5



## WIRING DIAGRAM



## SUGGESTED COMPATIBLE DIMMER\*

LUTRON	CTCL-153P
	DVCL-153PDH
	DVCL-153P
LEVITON	6672
	6674
PASS & SEYMOUR	HCL453PTCCCV6

\*Dimmer performance may vary based on load, wiring, and installation conditions. Inclusion on this chart does not guarantee compatibility for every installation, and omission does not indicate incompatibility. Refer to the dimmer manufacturer's installation instructions and verify minimum load requirements to avoid field issues.

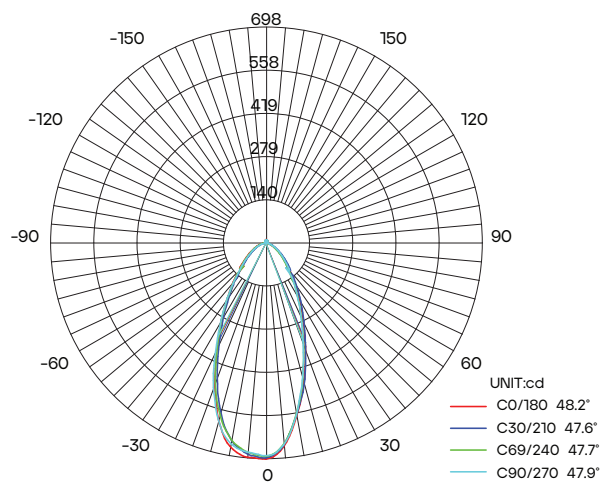
## PACKAGING

MODEL	STYLE	INNER BOX DIMENSIONS	MASTER CARTON DIMENSIONS	CASE
LR23330	INNER BOX + MASTER CARTON	6.61" X 5.90" X 1.33"	14.57" X 5.90" X 12.60"	40
LR23331	INNER BOX + MASTER CARTON	7.08" X 6.30" X 1.57"	14.96" X 8.66" X 13.38"	20
LR23332	INNER BOX + MASTER CARTON	8.50" X 5.31" X 1.65"	17.71" X 11.42" X 9.29"	20
LR23335	INNER BOX + MASTER CARTON	9.29" X 5.31" X 1.65"	17.71" X 11.42" X 10.07"	20
LR23336	INNER BOX + MASTER CARTON	12.67" X 6.18" X 1.65"	17.71" X 13.19" X 13.47"	20
LR23333	INNER BOX + MASTER CARTON	9.25" X 7.87" X 2.36"	19.48" X 12.79" X 16.73"	20

## LuxiFlow™ PHOTOMETRICS

Luxrite® LuxiFlow® tool is for informational purposes only, it is not intended to provide lighting or electrical advice.

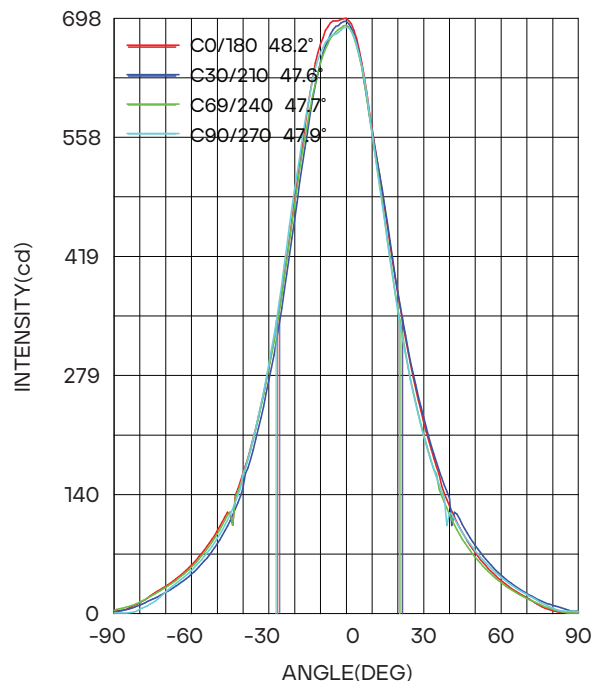
### LUMINOUS INTENSITY DISTRIBUTION DIAGRAM



AVERAGE BEAM ANGLE(50%): 47.9 DEG

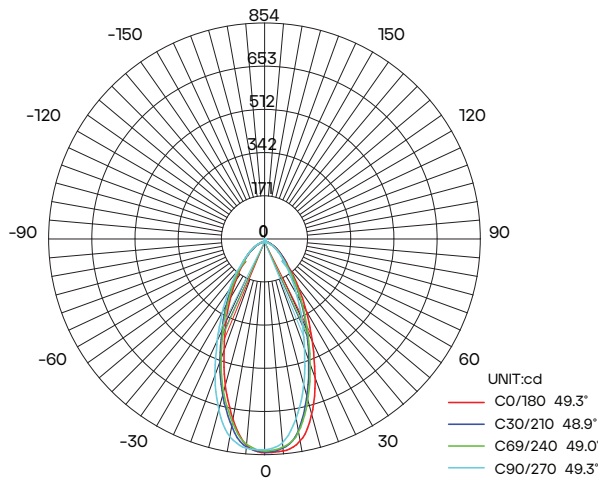
\*DIAGRAM SHOWING LR23330 AT 4000K

### LUMINOUS INTENSITY DISTRIBUTION



Luxrite® Luxiflow® tool is for informational purposes only, it is not intended to provide lighting or electrical advise.

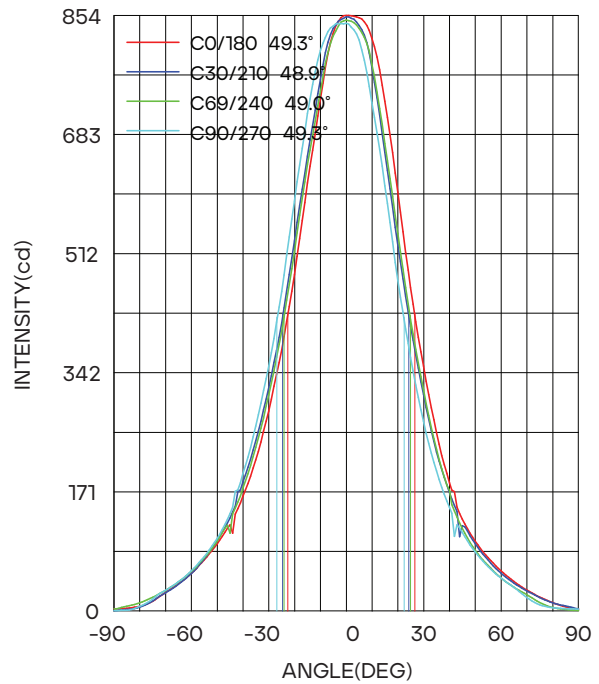
LUMINOUS INTENSITY DISTRIBUTION DIAGRAM



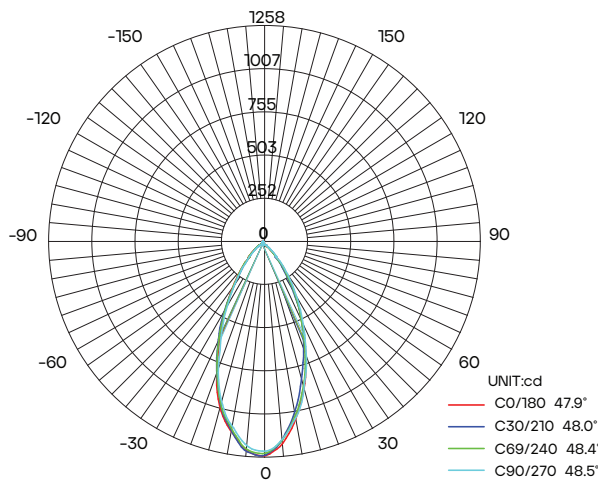
AVERAGE BEAM ANGLE(50%): 49.1 DEG

\*DIAGRAM SHOWING LR23331 AT 6500K

LUMINOUS INTENSITY DISTRIBUTION



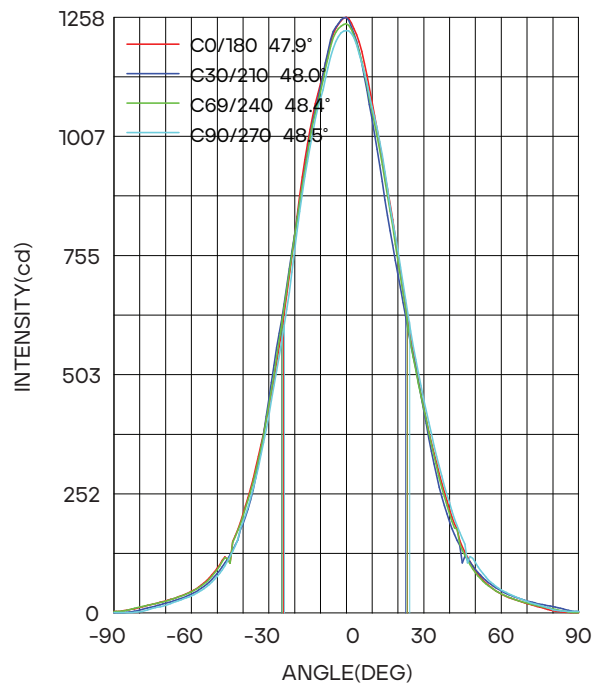
LUMINOUS INTENSITY DISTRIBUTION DIAGRAM



AVERAGE BEAM ANGLE(50%): 48.2 DEG

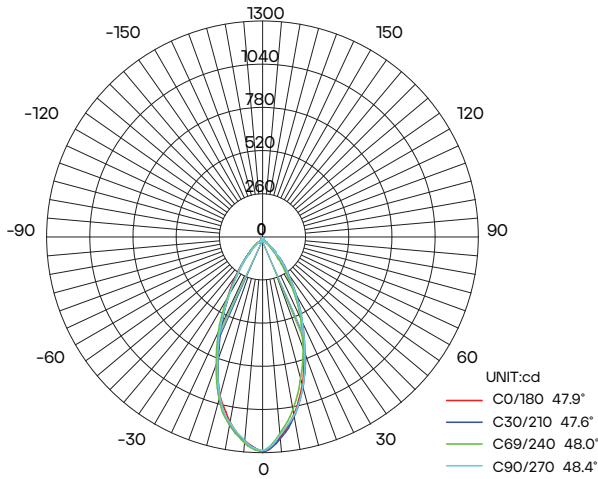
\*DIAGRAM SHOWING LR23332 AT 5000K

LUMINOUS INTENSITY DISTRIBUTION



Luxrite® Luxiflow® tool is for informational purposes only, it is not intended to provide lighting or electrical advise.

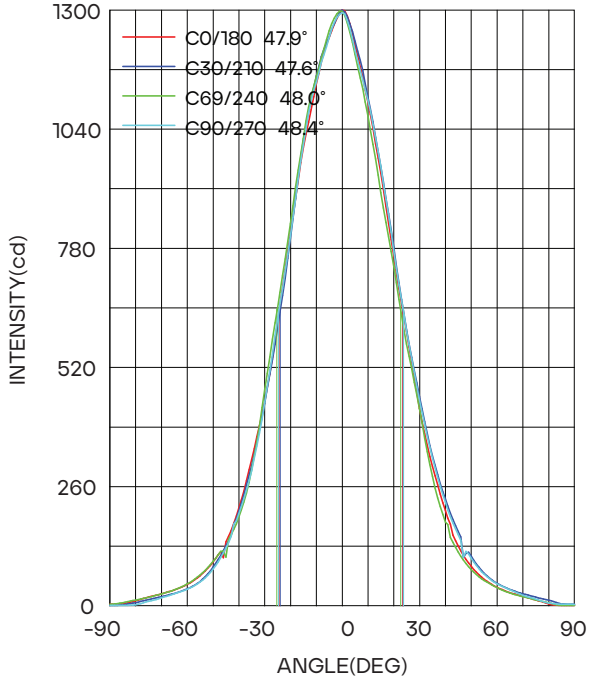
LUMINOUS INTENSITY DISTRIBUTION DIAGRAM



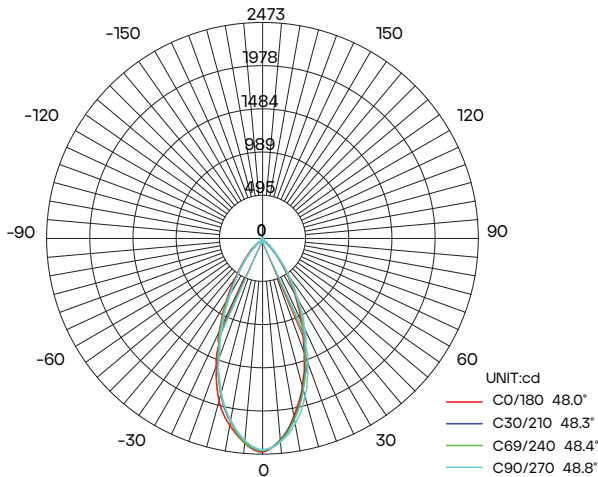
AVERAGE BEAM ANGLE(50%): 48.0 DEG

\*DIAGRAM SHOWING LR23335 AT 5000K

LUMINOUS INTENSITY DISTRIBUTION



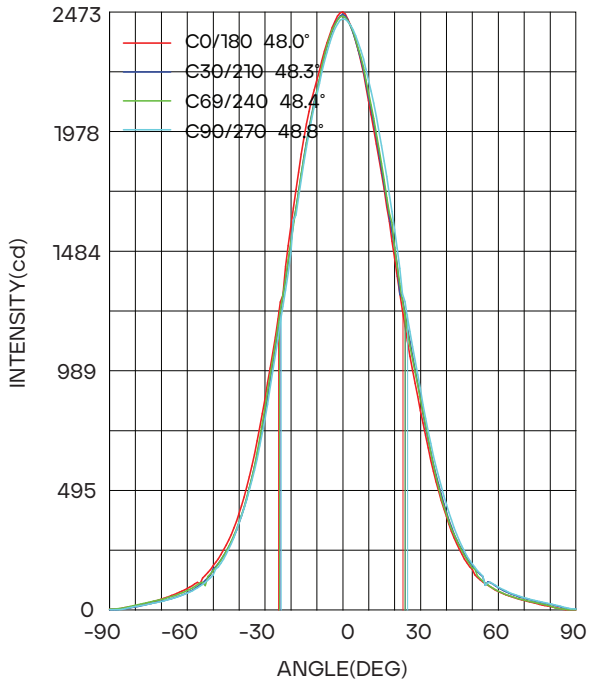
LUMINOUS INTENSITY DISTRIBUTION DIAGRAM



AVERAGE BEAM ANGLE(50%): 48.3 DEG

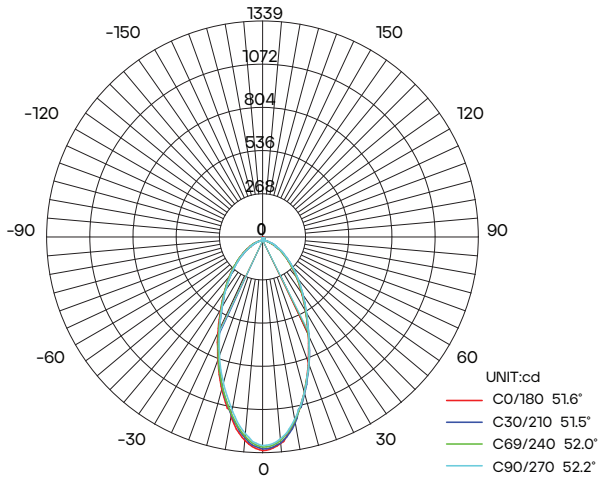
\*DIAGRAM SHOWING LR23336 AT 4000K

LUMINOUS INTENSITY DISTRIBUTION



Luxrite® Luxiflow® tool is for informational purposes only, it is not intended to provide lighting or electrical advise.

LUMINOUS INTENSITY DISTRIBUTION DIAGRAM



AVERAGE BEAM ANGLE(50%): 51.8 DEG

\*DIAGRAM SHOWING LR23333 AT 4000K

LUMINOUS INTENSITY DISTRIBUTION

