

### PRECAUTIONS

Read and understand all instructions before beginning installation.

**CAUTION:** FOR USE WITH CLASS 2, LOW VOLTAGE SYSTEMS ONLY. DO NOT USE IN HIGH VOLTAGE APPLICATIONS.

**NOTICE:** For installation by a licensed electrician in accordance with National and/or local Electrical Codes and the following instructions.

Confirm device ratings are suitable for application prior to installation. Use of device in applications beyond its specified ratings or in applications other than its intended use may cause an unsafe condition and will void manufacturer's warranty.

Use only approved materials and components (i.e. wire nuts, electrical box, etc.) as appropriate for installation.

ALL EXCESS CABLE MUST BE REMOVED FROM WALL BOX PRIOR TO INSTALLATION. Connection between Cat5 cable and switch connection port must remain straight and true without interference or pressure from excess or misaligned cable.

**NOTICE:** Do not install if product appears to be damaged.

SAVE THESE INSTRUCTIONS

### INSTALLATION

Do not install this switch station until all wall construction and surface preparation is complete.

1. This station may be installed at the end of a Cat5 cable or can be installed in series with other NX wall stations. Be sure that the Cat5 cable is connected to a SmartPort on another NX device. DO NOT CONNECT THIS STATION TO ETHERNET.
2. Start the installation by removing the Cover Plate from the station. See figure 1
3. It is necessary to remove the screen assembly to gain access to the mounting holes. Carefully pry back the two retaining clips at the top of the screen assembly one at a time and guide the screen assembly forward and away from the mounting plate. See figure 2. DO NOT ATTEMPT TO MOUNT THE SWITCH STATION WITHOUT FIRST REMOVING THE SCREEN ASSEMBLY.
4. Attach the mounting plate to the wall box with the screws provided. Do not overtighten.
5. Plug the Cat5 cable into either of the RJ45 ports on the rear of the screen assembly. Remove excess Cat5 cable from the wall box to avoid stressing the connection on the screen assembly.
6. Insert the two tabs on the bottom edge of the screen assembly into the two slotted tabs at the bottom of the mounting plate. Carefully push the screen assembly into place by snapping into the mounting tabs at the top of the assembly.
7. Re-install the cover plate by snapping it over the mounting plate taking note to align the small ridge on the cover plate with the notch in the mounting plate

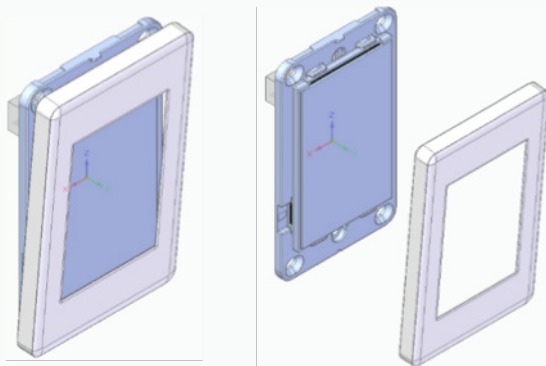


Figure 1

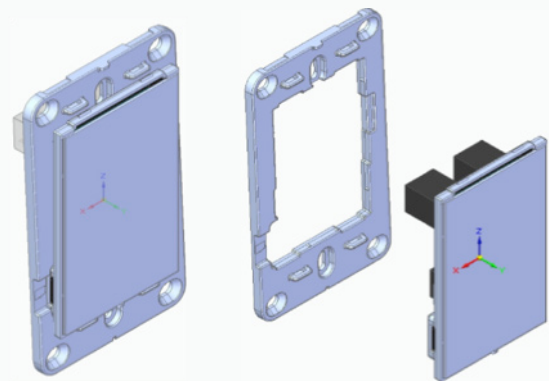


Figure 2