

LR24929

LED/RMP4/5CCT/TL/RD/WT



APERTURE	4"
DISTRIBUTION	FIXED
APPLICATION	NEW CONSTRUCTION/TRIMLESS

ELECTRICAL

POWER	15W
INPUT VOLTS	120V
INPUT CURRENT	125mA
FREQUENCY	50/60Hz
DIMMING TYPE	TRIAC
DIMMING RANGE	10-100%
FEED WIRE GAUGE	18AWG
BREAKER SPECIFICATION *(15A @120V)	79pcs*

*Mathematically estimated value. Actual capacity may vary by breaker type and installation environment.

PHOTOMETRIC

COLOR CCT	2700K/3000K/3500K/4000K/5000K
CRI	90
LUMEN	1200lm
EFFICACY	80lm/w
BEAM ANGLE	110°

CERTIFICATIONS & SAFETY

LR24929	ETL
IP RATING	IP54
WET LOCATION	YES
IC RATED	YES
AIR TIGHT	YES
OPERATING TEMP.	-4°F to 104°F
COST/YR	\$ 1.80
WARRANTY	5 YR

MATERIAL & APPLICATION

HEAT SINK	DIE-CAST ALUMINUM
TRIM	ALUMINUM
LENS	ACRYLIC
CUTOUT	Ø3.86"
MOUNTING TYPE	TRIMLESS
AREA OF APPLICATION	RESIDENTIAL, COMMERCIAL
CEILING TYPE	DRYWALL

DRIVER

	POWER	INPUT VOLTS	INPUT CURRENT	FREQUENCY	INPUT POWER	OUTPUT VOLTAGE	DIMENSIONS	KNOCKOUTS
INCLUDED DRIVER	15W	120V	125mA	50/60Hz	15W max	36V DC	3.84"L X 2.46"W X 1.51"H	4

MODEL	DESCRIPTION	EM POWER	INPUT VOLTS	INPUT CURRENT	FREQUENCY	INPUT POWER	OUTPUT VOLTAGE	RECHARGE TIME	EMERGENCY TIME
LR35126**	LED/EMR/15W/AC/SF/E	15	100-347V	100mA	50/60Hz	12W max	170V DC	24HR	90MINS

*AMBIENT TEMPERATURE: 41°F ~ 122°F
**SOLD SEPARATELY

DIMENSIONS

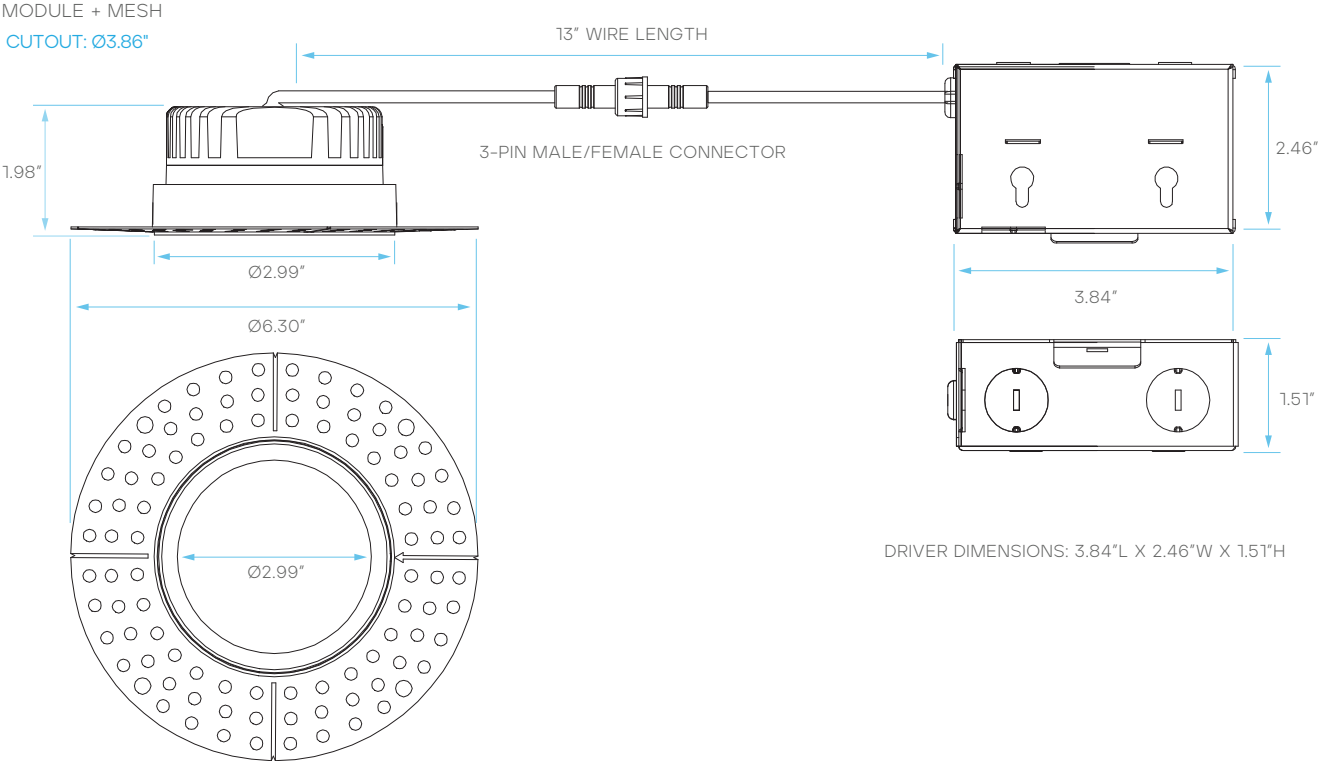
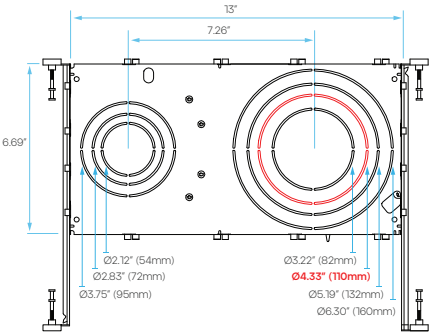


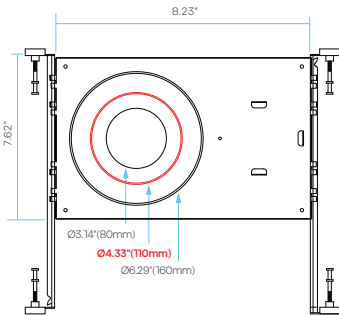
PLATE COMPATIBILITY*

*SOLD SEPARATELY

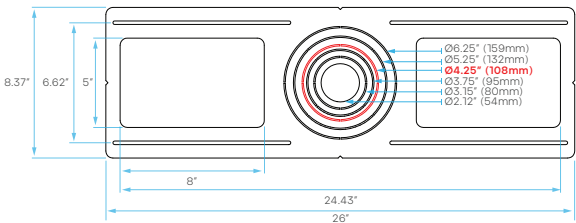
LR41010
KNOCKOUT
R1



LR41002
KNOCKOUT
1



LR41006
KNOCKOUT
3



LR41011
KNOCKOUT
4

