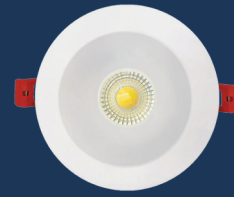
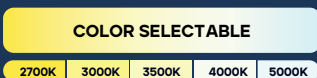


LUXRITE®

LED CANLESS - SPOTLIGHT RICHMOND COLLECTION



FRONT VIEW



LR24930

LED/DRDL4/5CCT/RD/WT



FRONT VIEW

APERTURE	4"
DISTRIBUTION	FIXED
APPLICATION	NEW CONSTRUCTION & REMODEL

ELECTRICAL

POWER	18W
INPUT VOLTS	120V
INPUT CURRENT	240mA
FREQUENCY	60Hz
DIMMING TYPE	TRIAC
DIMMING RANGE	10-100%
FEED WIRE GAUGE	18AWG
BREAKER SPECIFICATION *(15A @120V)	66pcs*

*Mathematically estimated value. Actual capacity may vary by breaker type and installation environment.

PHOTOMETRIC

COLOR CCT	2700K/3000K/3500K/4000K/5000K
CRI	90
LUMEN	1953lm
EFFICACY	109lm/w
BEAM ANGLE	40°

CERTIFICATIONS & SAFETY

LR24930	ETL, TITLE 24, ENERGY STAR
IP RATING	IP54
WET LOCATION	YES
IC RATED	YES
AIR TIGHT	YES
OPERATING TEMP.	-4°F to 104°F
COST/YR	\$ 2.16
WARRANTY	5 YR

MATERIAL & APPLICATION

HEAT SINK	DIE-CASE ALUMINUM
TRIM	ALUMINUM
LENS	PC ACRYLIC
CUTOUT	Ø3.93"
MOUNTING TYPE	RECESSED
AREA OF APPLICATION	RESIDENTIAL, COMMERCIAL
CEILING TYPE	DRYWALL, WOOD

DRIVER

	POWER	INPUT VOLTS	INPUT CURRENT	FREQUENCY	INPUT POWER	OUTPUT VOLTAGE	DIMENSIONS	KNOCKOUTS
INCLUDED DRIVER	18	120V	240mA	60Hz	18W max	36V DC	3.5"L X 3.5"W X 1.5"H	2

MODEL	DESCRIPTION	EM POWER	INPUT VOLTS	INPUT CURRENT	FREQUENCY	INPUT POWER	OUTPUT VOLTAGE	RECHARGE TIME	EMERGENCY TIME
LR35124**	LED/EMR/30W/AC/FC/E	30	100-347V	100mA	50/60Hz	12W max	170V DC	24HR	90MINS

*AMBIENT TEMPERATURE: 41°F ~ 122°F
**SOLD SEPARATELY

DIMENSIONS

MODULE + TRIM & DRIVER

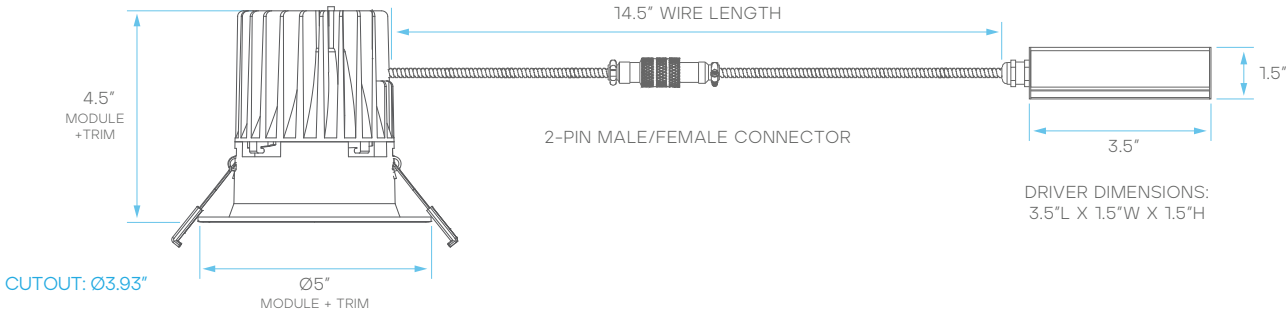
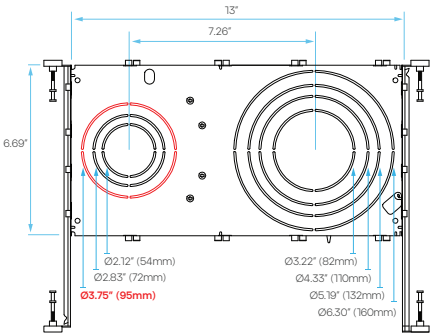


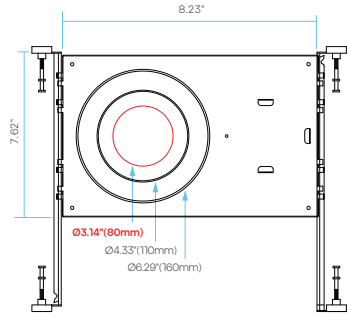
PLATE COMPATIBILITY*

*SOLD SEPARATELY

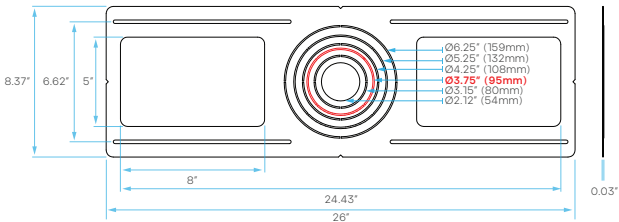
LR41010
KNOCKOUT
L2



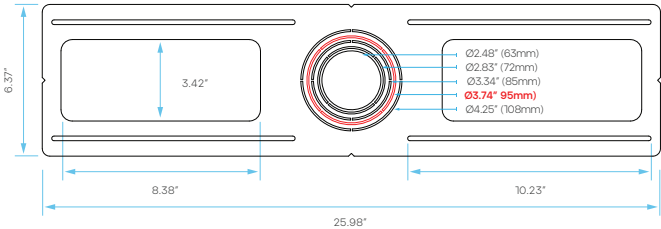
LR41002
KNOCKOUT
1



LR41006
KNOCKOUT
2



LR41011
KNOCKOUT
3

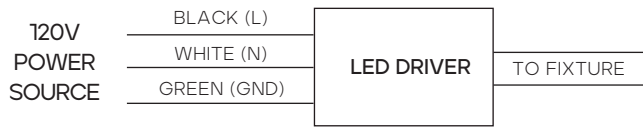


INTERCHANGEABLE TRIM OPTIONS*

*SOLD SEPARATELY

	MODEL	DESCRIPTION	SIZE	FINISH	SHAPE	APPLICATION
	LR24935	LED/DRDL4/TRM/RD/BK	4"	BLACK	ROUND	FIXED

WIRING DIAGRAM



SUGGESTED COMPATIBLE DIMMER*

LUTRON	CTCL-153P
	DVCL-153PDH
	DVCL-153P
LEVITON	6672
	6674
PASS & SEYMOUR	HCL453PTCCCV6

*Dimmer performance may vary based on load, wiring, and installation conditions. Inclusion on this chart does not guarantee compatibility for every installation, and omission does not indicate incompatibility. Refer to the dimmer manufacturer's installation instructions and verify minimum load requirements to avoid field issues

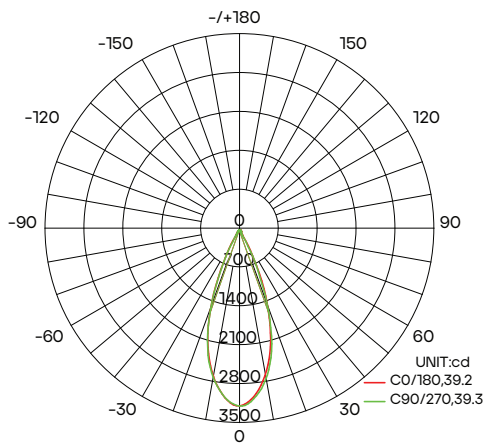
PACKAGING

MODEL	STYLE	INNER BOX DIMENSIONS	MASTER CARTON DIMENSIONS	CASE
LR24930	INNER BOX + MASTER CARTON	6.49" X 5.31" X 5.31"	17.12" X 13.58" X 16.92"	18

LuxiFlow™ PHOTOMETRICS

Luxrite® Luxiflow® tool is for informational purposes only, it is not intended to provide lighting or electrical advice.

LUMINOUS INTENSITY DISTRIBUTION DIAGRAM



AVERAGE BEAM ANGLE(50%): 39.2 DEG

*DIAGRAM SHOWING LR24930 AT 2700K

CO PLANE ISOLUX DIAGRAM (UNIT:lx)

