

Emergency Exit Sign (Single/Double Sided)



Project: _____ Part #: _____
Type: _____

Emergency Exit Signs



Detail Specifications:

- Finish: White or Black Finish
- IP Rating: IP20, Dry Location
- Wattage: 3W
- Lumens: n/a
- Operating Temperature: -40° - 104° F
- Lens: Red or Green
- Average life (L70) of 70,000 hours

Applications:

- Exit Doors
- Corridor Intersections
- Exit Stairways
- Exit ramps

Product Information:

- Built-in test switch and charge indicator
- Injection-molded thermoplastic housing, PC cover
- Backup Time: >90 minutes
- Recharge time: 24 hours
- Single or Double Face (both plates included)
- 6" height letters with 3/4" stroke, viewable from 100ft away

Driver Options:

- Dual Voltage 120/277V
- PF >0.9, 50/60Hz

Mounting & Installations:

- Wall and ceiling mounted
- Universal J-box mounting pattern

Certifications:

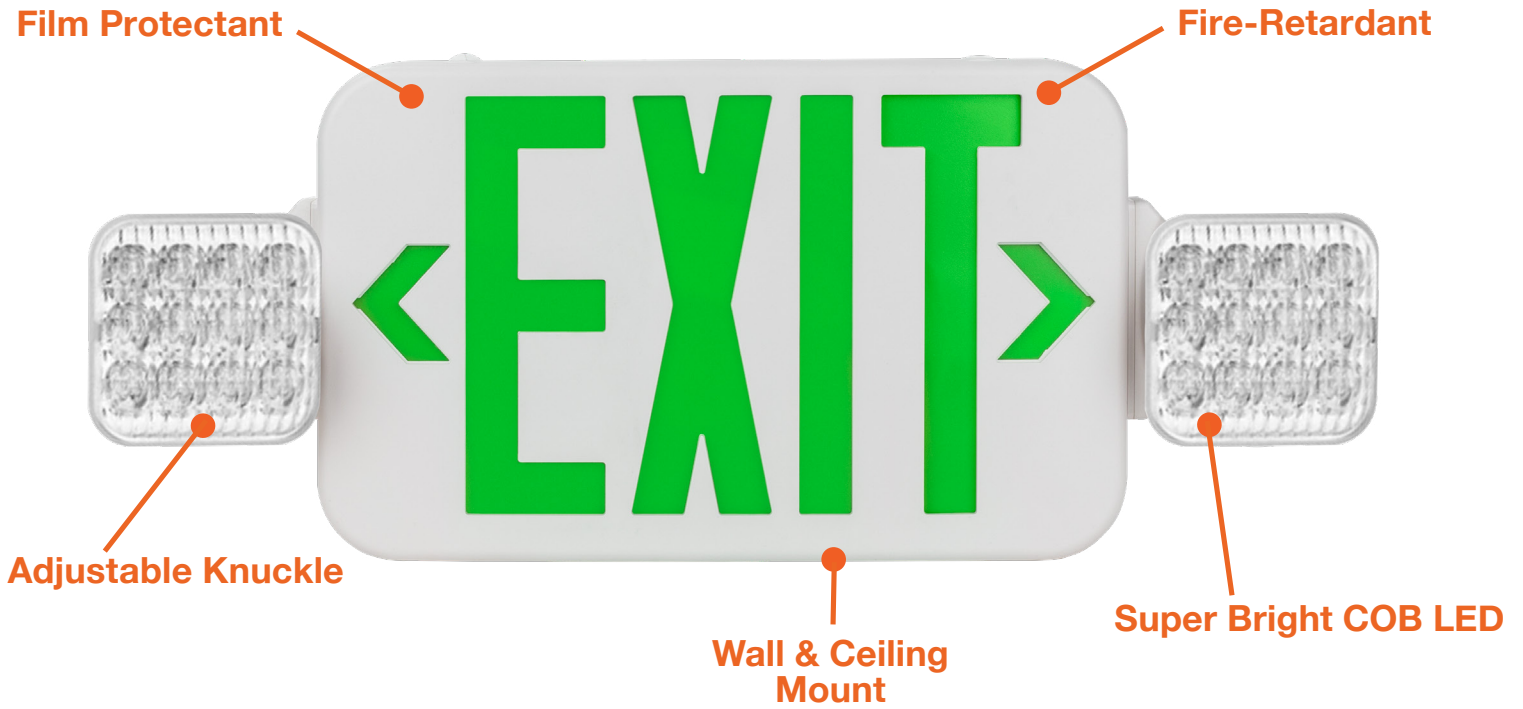
- UL Listed for USA and CA (UL94V-0 Flame Rating)
- Meets UL924, NDPA 101
- Approved for CA T24
- 3 Year Limited Warranty
- FCC CFR 47, GCC Part 15, Subpart B:2017

Series

LED-EM-EXT-G-WH-CMB-RC
LED-EM-EXT-R-WH-CMB-RC

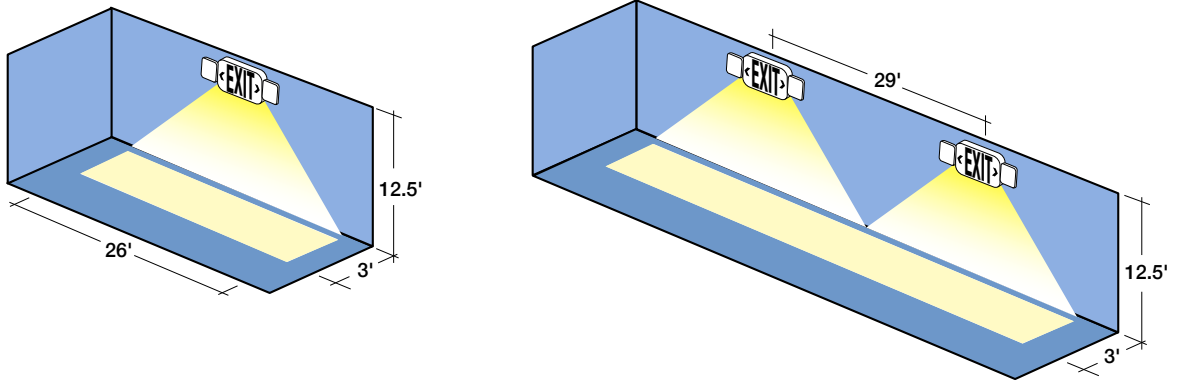
Specs and model numbers are subject to change with or without notice.

FEATURES

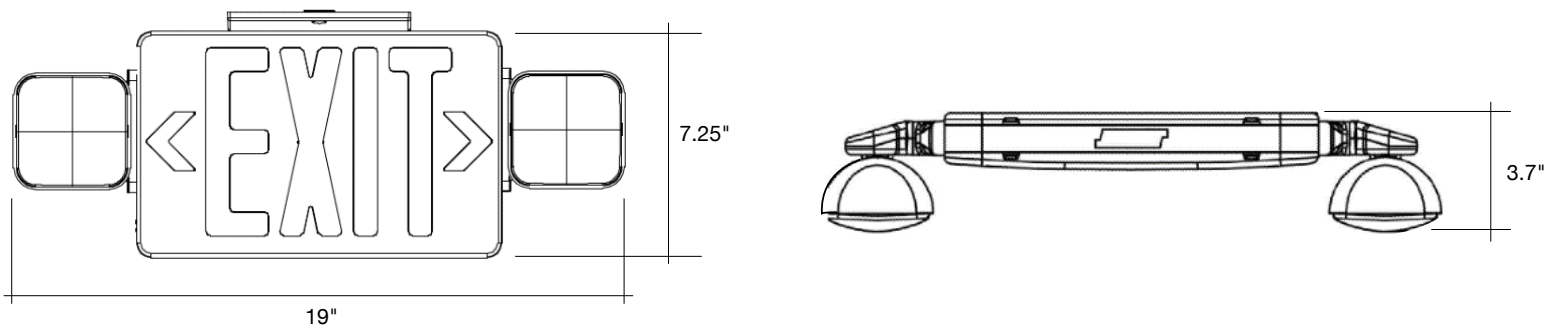


Maximum Spacing Guidelines

Meets the illumination requirements of NFPA101 - 1fc minimum and a min/max ratio of 40:1



DIMENSIONS



Specs and model numbers are subject to change with or without notice.