



L.T.F. Dimmable LED Driver



96W DS96-3002 120-277V AC UniDriver Series Constant Current & Constant Voltage

UNIDRIVER



Efficiency	> 84%
Power Factor	> 0.90
Case TC	90C° Max.
Protection	Input / Output
Storage	-30°C / +90°C
Humidity	95% RH Max.
Class	Class 2 Power Supply
Dimming	ELV, Triac, 0-10V
IP Rating	IP20, IP67



RoHS



* Ask for more information

FEATURES

- Exceeds California Title 24 Requirements, AAA rating
- High performance LED driver
- Universal Input Voltage: 120-277V AC
- Universal dimming with ELV, Triac & 0-10V dimmers 100-0%
- Flicker free dimming
- Aluminum casing for optimal heat dissipation
- Isolated output power per NEC and UL safety requirements
- UL & ETL recognized/ listed, meets UL 8750, 1310 requirements
- Auto-reset; short circuit, overload and thermal protection
- Class 2 power supply
- Efficient, High power factor > 0.90

ELECTRICAL SPECIFICATIONS

DS96W /LI15 /LI14 /BR1 -UD-3002 Series Constant Current Options						
Model #	Wattage	Input	Output Current	Min. Output Voltage	Max. Output Voltage	Case Form Factors
DS96W1600C4460-XXX-UD-3002	96W	120-277V AC 1A 50/60Hz	1600mA	44V DC	60V DC	LI15 LI14 BR1** Title 24 Compliant
DS96W1800C3652-XXX-UD-3002			1800mA	36V DC	52V DC	
DS96W2000C3248-XXX-UD-3002			2000mA	32V DC	48V DC	
DS96W2200C2844-XXX-UD-3002			2200mA	28V DC	44V DC	
DS96W2400C2440-XXX-UD-3002			2400mA	24V DC	40V DC	
DS96W2800C1834-XXX-UD-3002			2800mA	18V DC	34V DC	
DS96W3200C1430-XXX-UD-3002			3200mA	14V DC	30V DC	
DS96W3600C1127-XXX-UD-3002			3600mA	11V DC	27V DC	
DS96W4000C0824-XXX-UD-3002			4000mA	8V DC	24V DC	

**UL Listed External Remote Mount Cases Available for BR1 Form Factor



96W DS96-3002 120-277V AC UniDriver Series Constant Current & Constant Voltage

ELECTRICAL SPECIFICATIONS

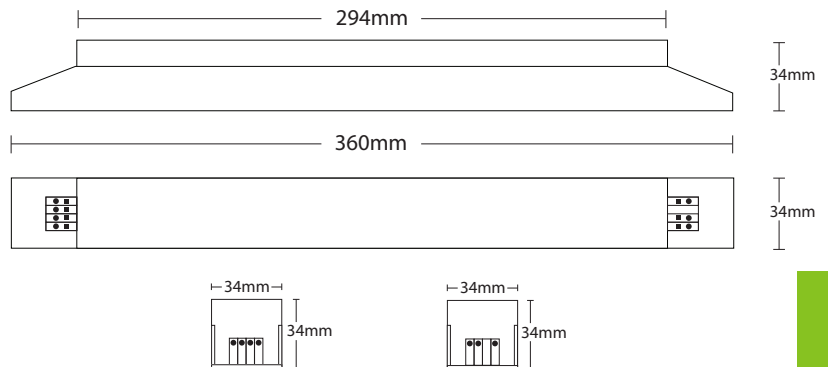
DS96W-UD-3002 Series Constant Voltage Options					
Model #	Wattage	Input	Output Constant Voltage	Max. Output Current	Case Form Factor
DS96W24VLI15UD-3002	96W	120-277V AC 1A 50/60Hz	24V DC	4000mA	LI15 LI14 BR1** Title 24 Compliant
DS96W36VLI15UD-3002			36V DC	2650mA	
DS96W48VLI15UD-3002			48V DC	2000mA	
DS96W24VLI14UD-3002			24V DC	4000mA	
DS96W36VLI14UD-3002			36V DC	2650mA	
DS96W48VLI14UD-3002			48V DC	2000mA	
DS96W24VBR1UD-3002			24V DC	4000mA	
DS96W36VBR1UD-3002			36V DC	2650mA	
DS96W48VBR1UD-3002			48V DC	2000mA	

**UL Listed External Remote Mount Cases Available for BR1 Form Factor

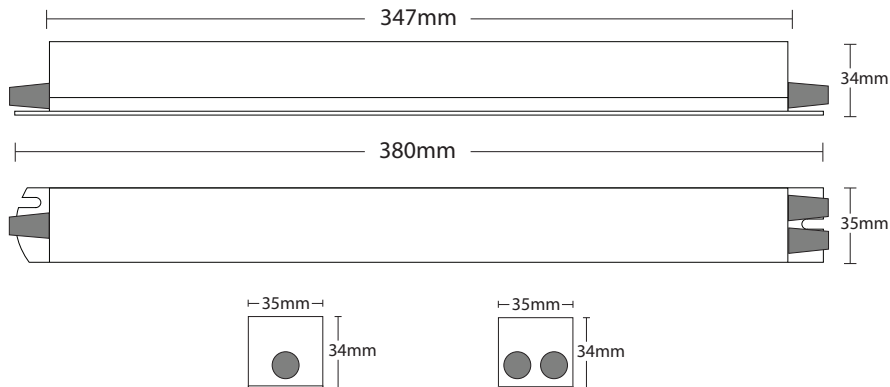
Mechanical Specifications

Case Form Factors	Dimensions
"LI15"	360 x 34 x 34mm
"LI14"	380 x 34 x 35mm
"BR1"	194 (172) x 57 x 37mm

LI15



LI14

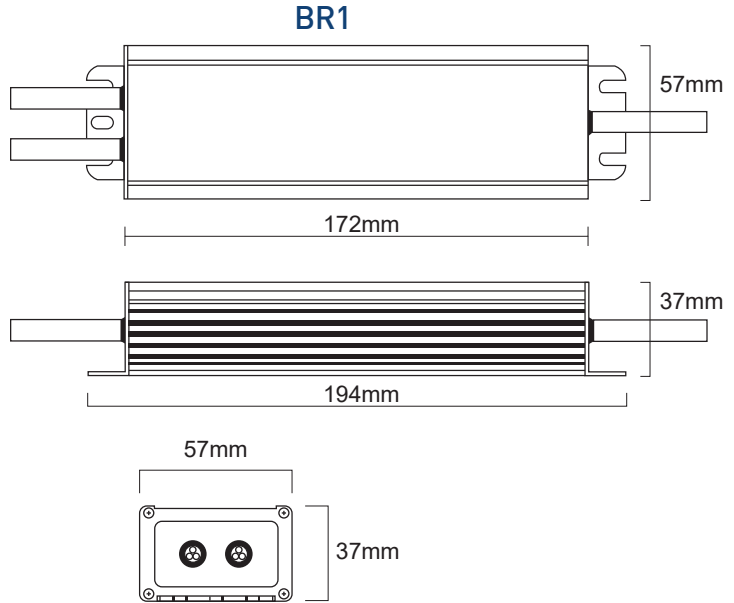




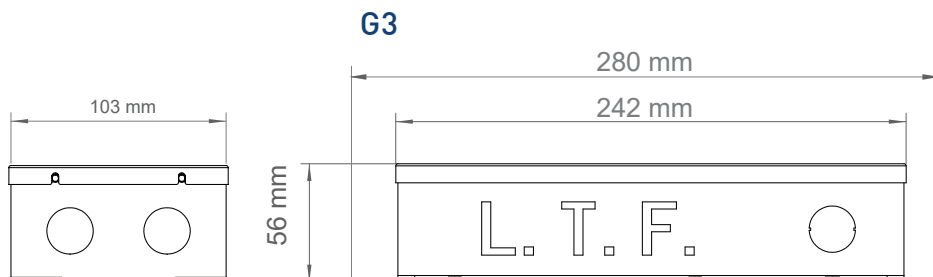
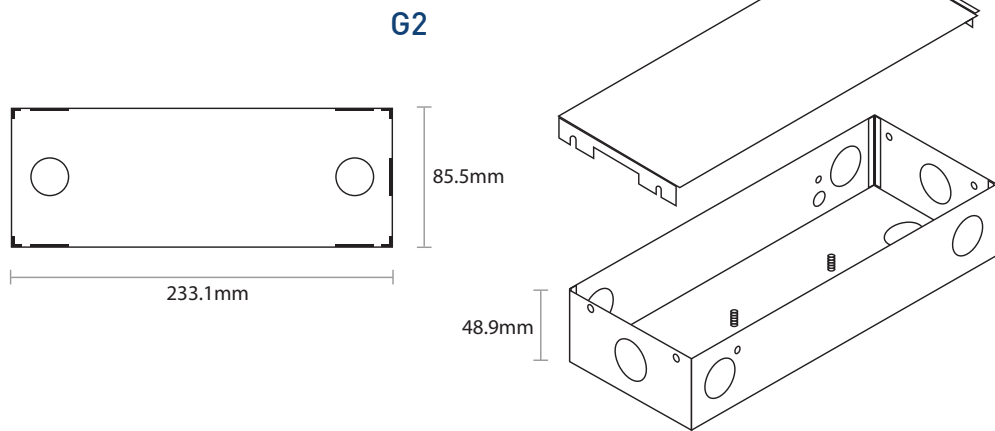
**96W DS96-3002 120-277V AC UniDriver Series
Constant Current & Constant Voltage**



Mechanical Specifications	
Case Form Factors	Dimensions
"LI15"	360 x 34 x 34mm
"LI14"	380 x 34 x 35mm
"BR1"	194 (172) x 57 x 37mm



DS96W-BR1-UD-3002 Series Remote Enclosures - UL Listed		
Model	Enclosure Type	Enclosure Dimensions
LDS96W-XXX-BR1-UD-RE-3002	G2 (Damp Rated)	233x85.5x49mm
LDS96W-XXX-BR1-UD-REO-3002	G3 (Wet Rated)	280x103x56mm



DS UniDriver Series Dimmable LED Driver