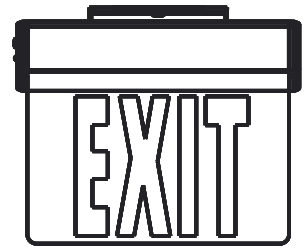


## Installation instructions for Emergency Lighting

ModeNo.:LED-EM-EXT-EL-RG		
Part	Description	Quantity
1	LED Edge-Lit Exit Sign	1
2	Canopy	1
3	Hardware Bag	1



### Warnings and Cautions

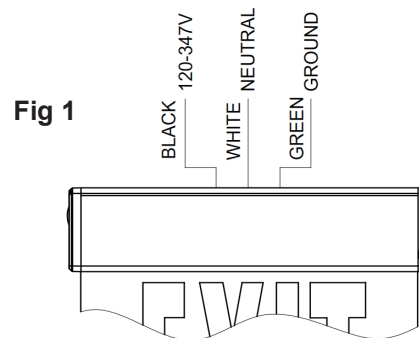
## IMPORTANT SAFEGUARDS READ AND FOLLOW ALL SAFETY INSTRUCTIONS

1. Review the diagrams thoroughly before beginning.
2. All electrical connections must be in accordance with local codes, ordinances and the National Electric code
3. Disconnect power at fuse or circuit breaker before installing or servicing.
4. Do not use outdoors.
5. Do not mount in hazardous locations, or near gas or electric heaters.
6. Do not let power cords touch hot surface.
7. Equipment should be mounted in locations and at heights where it will not be subjected to tampering by unauthorized personnel.
8. The use of accessory equipment not recommend by the manufacturer may cause an unsafe condition.
9. Do not use this equipment for other than intended use.
10. All servicing should be performed by qualified personnel only.
11. Allow battery to charge for 24 hours before first use.
12. For connection to a single source of supply such that all lamps are simultaneously illuminated

## SAVE THESE INSTRUCTIONS

### ELECTRIAL CONNECTIONS(Fig 1)

Make the proper AC wire connections  
Connect the black, white and green wires  
to the building utility.  
Use standard wires nuts to connect to wires

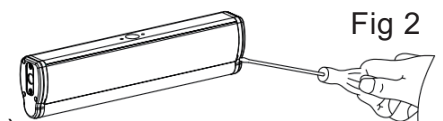


### Mounting Instructions

**(NOTE:First turn off electricity.)**

Choose mounting configuration (end, top or back mount). Plug remaining holes with the appropriate color plugs

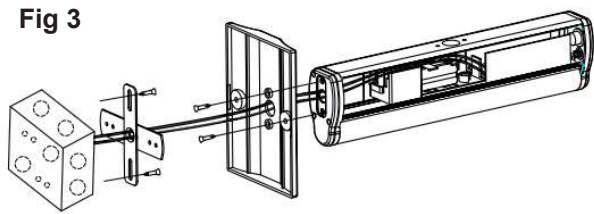
1. Secure canopy bracket to ceiling or wall.
2. Open the housing cover(Fig 2).
3. Secure housing and canopy with screws (see mounting configuration)
4. Feed the AC input leads (black, white and green) through the housing and canopy's center hole.  
Connect AC input leads to AC power supply leads.
5. Secure canopy into canopy bracket with 1-1/2"long #8-32 screws, then connect the battery
6. Connect battery only after continuous AC power can be provided to the unit.
7. Snap housing cover into place.
8. Apply chevron directional indicators as required. Remove application templates when finished



## Mounting Instructions (NOTE: First turn off electricity.)

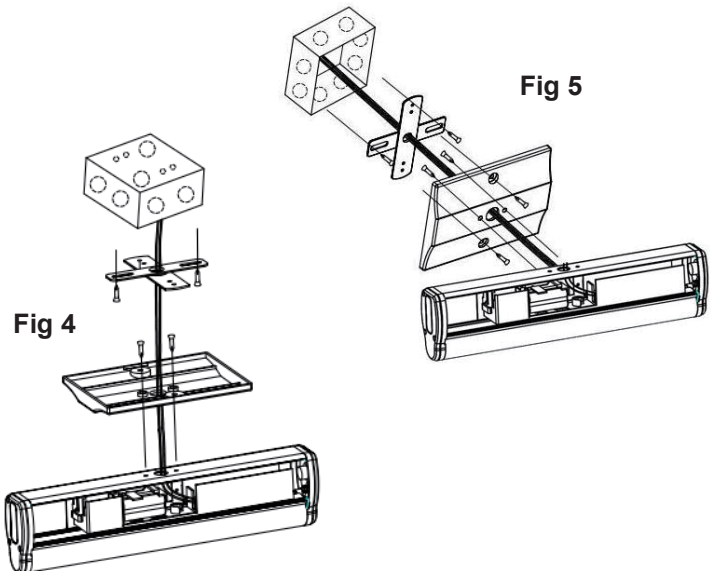
### End Mount(Fig 3)

1. Secure canopy to end plate of fixture with (2)3/4"#10 -24 screws (included).
2. Run connection wires through large hole
3. Make electrical connections and mount canopy to junction box using (2)1-1/2"#8 -32 screws (included)



### Top Mount(Fig 4)

1. Secure canopy to top of fixture using 3/4" #8-32 screw and hex nut, and 1/2" center hole with threaded nipple and hex nuts (included).
2. Run connection wires through threaded nipple.
3. Make electrical connections and mount canopy to junction box using (2)1-1/2"#8 -32 screws (included)



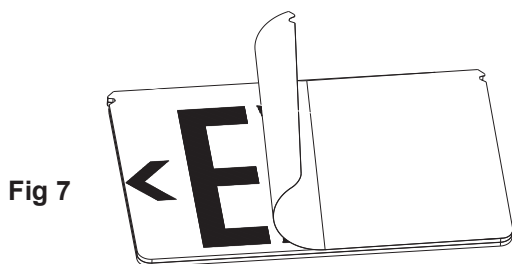
### Back Mount(Fig 5)

1. Mount canopy to junction box using (2)1-1/2" #8-32 screws.
2. Run connection wires through large hole in center of canopy.
3. Secure fixture to canopy with (2)3/4" #10 -24 screws (included) by going directly into mounting holes
4. Make electrical connections

### Single Sided and Double Sided

When out of factory, one of the side is covered

- 1) You can use it as single sided directly, just peel off the arrows you don't need.
  - 2) When you need double sided, peel off the film on the side then it would become double sided.(Fig 7)
- Remember to peel off the arrows you don't need



### EXIT Plate Installation Snap in EXIT plate to frame (Fig 8)

#### Color switch

- 1) When out of factory, it is red as default.
- 2) When you need to change the color, keep products connected to AC, keep pressing the test button, then the light would switch between red and green, release the button at the color you need.

