

LEDVANCE LUMINAIRES PERFORMANCE CLASS OPTI-SELECT AREA LIGHT

OPTISELECT

LEDVANCE LUMINAIRE SPECIFICATION DATA

Catalog #	Comments
Project	
Type	
Prepared by	

PERFORMANCE CLASS™



APPLICATION

The Performance Class OPTI-SELECT Area Light offers 3 CCTs, 3 lumen outputs and 3 light distributions in the same product. With an integrated 7-pin NEMA receptacle and field installable screw-in sensors, this flexible product is ideal for parking lots, walkways and general outdoor area lighting.

BENEFITS & FEATURES

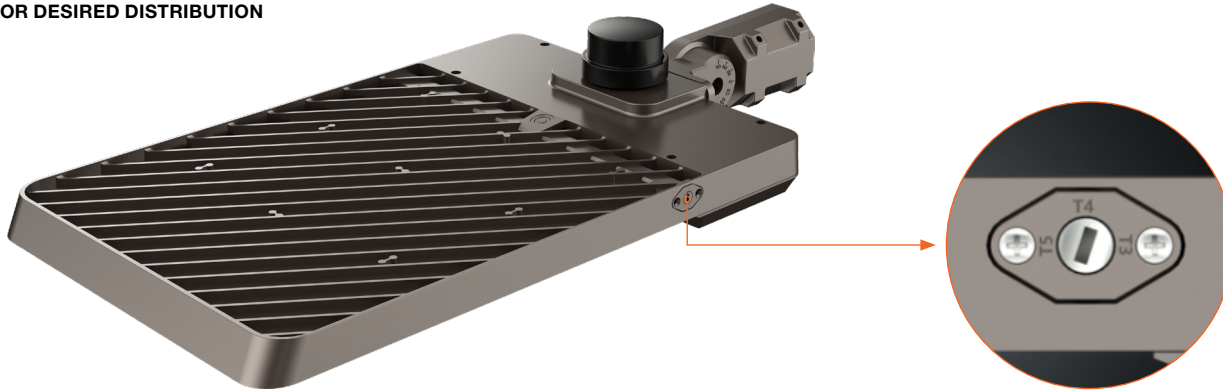
- OPTI-SELECT: Multiple distributions with a simple turn of a switch, no lens swap needed and no screws to remove. Types III, IV and V distribution in the same product
- Up to 150 LPW
- Selectable color temperature: 3000K/4000K/5000K, or the exclusive 1800K/2200K/2700K
- CRI >80
- Selectable wattage and lumens:
 - 40/60/80W | 6,000/9,000/12,000 lm
 - 90/120/150W | 13,500/18,000/22,500 lm
 - 180/240/300W | 27,000/36,000/45,000 lm
- FLEXMOUNT: Universal bracket for slip fitter, wall, round and square pole mounting
- DLC 5.1 Premium Listing assures high energy efficiency and qualifies this product for utility rebates
- Ready for field installable standalone sensors and LEDVANCE LINK™ Bluetooth® Controllers and sensors, no wiring required
- 7-pin NEMA receptacle + shorting cap (optional photocell available as an accessory)



SELECTABLE OPTICAL DISTRIBUTION

Innovative Field Adjustment Distribution
T3, T4 and T5 in one product

NO LENS CHANGE NEEDED; SIMPLY TURN A SWITCH FOR DESIRED DISTRIBUTION



OPTISELECT

ELECTRICAL

- 120-347 V_{AC}
(optional 277-480 V_{AC})
- Power Factor >0.9
- THD < 20%
- Dimmable 0-10V
- 10kV Surge protection

RATED LIFE

- 100,000 hours (L₇₀) @ 25°C

OPERATING TEMPERATURE

- -40°F to +122°F (-40°C to +50°C)

CERTIFICATIONS & LISTINGS

- cULus listed to UL1598 standards
- RoHs
- FCC
- IP65, wet location
- 3G vibration rated, ANSI C136.31
- DLC 5.1 Premium

WARRANTY

- 5 year
- NLB Trusted Warranty Program

INSTALLATION

- Universal mounting bracket included for square and round pole mounting as well as slip fitter mount



INSTALLATION GUIDE

WATTAGE COMPARISON

LED SOURCE WATTAGE/LUMENS	REPLACES TRADITIONAL SOURCE	ENERGY SAVINGS
90W/12,000lm	HPS/MH	up to 250W
150W/22,500lm		up to 400W
300W/45,000lm		up to 1000W

ORDERING GUIDE

AREAFLD	6A	SXXX	XXX	D	SCX	ADJ	XX
PRODUCT NAME	GENERATION	WATTAGE	VOLTAGE	DIMMING	COLOR TEMPERATURE	DISTRIBUTION	COLOR/ FINISH
AREAFLD = Area Flood	6A = Generation 6A	S080 = 40/60/80W S150 = 90/120/150W S300 = 180/240/300W	UNH = 120-347V HUV = 277-480V	D = 0-10V Dimming	SC2 = 3000/4000/5000K SC15 = 1800/2200/2700K	ADJ = Adjustable T3/T4/T5	BZ = Bronze BL = Black WH = White

ORDERING INFORMATION

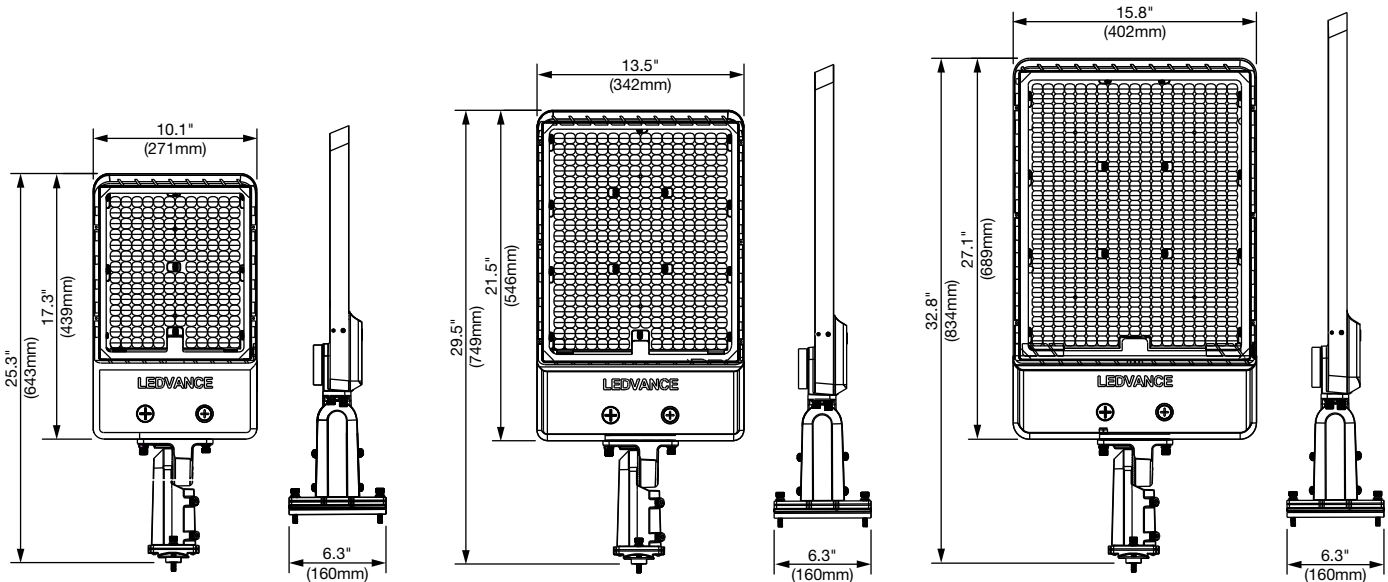
ITEM #	ORDERING ABBREVIATION	WATTAGE (W)	INPUT VOLTAGE (V)	DIM. (V)	CRI	COLOR TEMP (CCT)	DISTRIBUTION	TOTAL LUMENS (LM)	DLC	LPW	BUG RATING	FINISH	MTO*
OPTI-SELECT Adjustable Distribution, Lumen and CCT Selectable													
64012	AREAFD6AS080UNHDSC2ADJBZ	40/60/80	120-347V	0-10V	>80	3000/4000 /5000K	Adjustable T3/T4/T5	6,000/9,000 /12,000	5.1 Prrm	up to 150	B3U0G3	Bronze	–
64013	AREAFD6AS150UNHDSC2ADJBZ	90/120/150	120-347V	0-10V	>80	3000/4000 /5000K	Adjustable T3/T4/T5	13,500/18,000 /22,500	5.1 Prrm	up to 150	B3U0G3	Bronze	–
64014	AREAFD6AS300UNHDSC2ADJBZ	180/240/300	120-347V	0-10V	>80	3000/4000 /5000K	Adjustable T3/T4/T5	27,000/36,000 /45,000	5.1 Prrm	up to 150	B4U0G4	Bronze	–
64087	AREAFD6AS080UNHDSC15ADJBZ	40/60/80	120-347V	0-10V	>80	1800/2200 /2700K	Adjustable T3/T4/T5	5,040/7,560 /10,080	–	up to 126	B3U0G3	Bronze	✓
64088	AREAFD6AS150UNHDSC15ADJBZ	90/120/150	120-347V	0-10 V	>80	1800/2200 /2700K	Adjustable T3/T4/T5	11,340/15,120 /18,900	–	up to 126	B3U0G3	Bronze	✓
64089	AREAFD6AS300UNHDSC15ADJBZ	180/240/300	120-347V	0-10V	>80	1800/2200 /2700K	Adjustable T3/T4/T5	22,680/30,240 /37,800	–	up to 126	B4U0G4	Bronze	✓
66225	AREAFD6AS080UNHDSC2ADJBL	40/60/80	120-347V	0-10V	>80	3000/4000 /5000K	Adjustable T3/T4/T5	6,000/9,000 /12,000	5.1 Prrm	up to 150	B3U0G3	Black	–
66226	AREAFD6AS150UNHDSC2ADJBL	90/120/150	120-347V	0-10V	>80	3000/4000 /5000K	Adjustable T3/T4/T5	13,500/18,000 /22,500	5.1 Prrm	up to 150	B3U0G3	Black	–
66227	AREAFD6AS300UNHDSC2ADJBL	180/240/300	120-347V	0-10V	>80	3000/4000 /5000K	Adjustable T3/T4/T5	27,000/36,000 /45,000	5.1 Prrm	up to 150	B4U0G4	Black	–
66228	AREAFD6AS080UNHDSC2ADJWH	40/60/80	120-347V	0-10V	>80	3000/4000 /5000K	Adjustable T3/T4/T5	6,000/9,000 /12,000	5.1 Prrm	up to 150	B3U0G3	White	–
66229	AREAFD6AS150UNHDSC2ADJWH	90/120/150	120-347V	0-10V	>80	3000/4000 /5000K	Adjustable T3/T4/T5	13,500/18,000 /22,500	5.1 Prrm	up to 150	B3U0G3	White	–
66230	AREAFD6AS300UNHDSC2ADJWH	180/240/300	120-347V	0-10V	>80	3000/4000 /5000K	Adjustable T3/T4/T5	27,000/36,000 /45,000	5.1 Prrm	up to 150	B4U0G4	White	–
66052	AREAFD6AS080HUV DSC2ADJBZ	40/60/80	277-480V	0-10V	>80	3000/4000 /5000K	Adjustable T3/T4/T5	6,000/9,000 /12,000	5.1 Prrm	up to 150	B3U0G3	Bronze	✓
66053	AREAFD6AS150HUV DSC2ADJBZ	90/120/150	277-480V	0-10V	>80	3000/4000 /5000K	Adjustable T3/T4/T5	13,500/18,000 /22,500	5.1 Prrm	up to 150	B3U0G3	Bronze	✓
66054	AREAFD6AS300HUV DSC2ADJBZ	180/240/300	277-480V	0-10V	>80	3000/4000 /5000K	Adjustable T3/T4/T5	27,000/36,000 /45,000	5.1 Prrm	up to 150	B4U0G4	Bronze	✓
66055	AREAFD6AS080HUV DSC15ADJBZ	40/60/80	277-480V	0-10V	>80	1800/2200 /2700K	Adjustable T3/T4/T5	5040/7560 /10,080	–	up to 126	B3U0G3	Bronze	✓
66056	AREAFD6AS150HUV DSC15ADJBZ	90/120/150	277-480V	0-10V	>80	1800/2200 /2700K	Adjustable T3/T4/T5	11,340/15,120 /18,900	–	up to 126	B3U0G3	Bronze	✓
66057	AREAFD6AS300HUV DSC15ADJBZ	180/240/300	277-480V	0-10V	>80	1800/2200 /2700K	Adjustable T3/T4/T5	22,680/30,240 /37,800	–	up to 126	B4U0G4	Bronze	✓
66363	AREAFD6AS080HUV DSC2ADJBL	40/60/80	277-480V	0-10V	>80	3000/4000 /5000K	Adjustable T3/T4/T5	6,000/9,000/ 12,000	5.1 Prrm	up to 150	B3U0G3	Black	✓
66364	AREAFD6AS150HUV DSC2ADJBL	90/120/150	277-480V	0-10V	>80	3000/4000 /5000K	Adjustable T3/T4/T5	13,500/18,000 /22,500	5.1 Prrm	up to 150	B3U0G3	Black	✓
66365	AREAFD6AS300HUV DSC2ADJBL	180/240/300	277-480V	0-10V	>80	3000/4000 /5000K	Adjustable T3/T4/T5	27,000/36,000 /45,000	5.1 Prrm	up to 150	B4U0G4	Black	✓
66360	AREAFD6AS080HUV DSC2ADJWH	40/60/80	277-480V	0-10V	>80	3000/4000 /5000K	Adjustable T3/T4/T5	6,000/9,000 /12,000	5.1 Prrm	up to 150	B3U0G3	White	✓
66361	AREAFD6AS150HUV DSC2ADJWH	90/120/150	277-480V	0-10V	>80	3000/4000 /5000K	Adjustable T3/T4/T5	13,500/18,000 /22,500	5.1 Prrm	up to 150	B3U0G3	White	✓
66362	AREAFD6AS300HUV DSC2ADJWH	180/240/300	277-480V	0-10V	>80	3000/4000 /5000K	Adjustable T3/T4/T5	27,000/36,000 /45,000	5.1 Prrm	up to 150	B4U0G4	White	✓

*Made to Order

PHYSICAL INFORMATION

LUMINAIRE DESCRIPTION	LENGTH IN (MM)	WIDTH IN (MM)	HEIGHT IN (MM)	WEIGHT LB (KG)	EPA* (FT²) TILT ANGLE		
					0° (HORIZONTAL)	≤45°	≤90° (VERTICAL)
80W OPTI-SELECT	25.3 (643)	10.1 (271)	6.3 (160)	15.8 (7.2)	0.20	0.90	1.52
150W OPTI-SELECT	29.5 (749)	13.5 (342)	6.3 (160)	20.7 (9.4)	0.23	1.42	2.41
300W OPTI-SELECT	32.8 (834)	15.8 (402)	6.3 (160)	26 (11.8)	0.26	1.92	3.26

*Considering horizontal wind



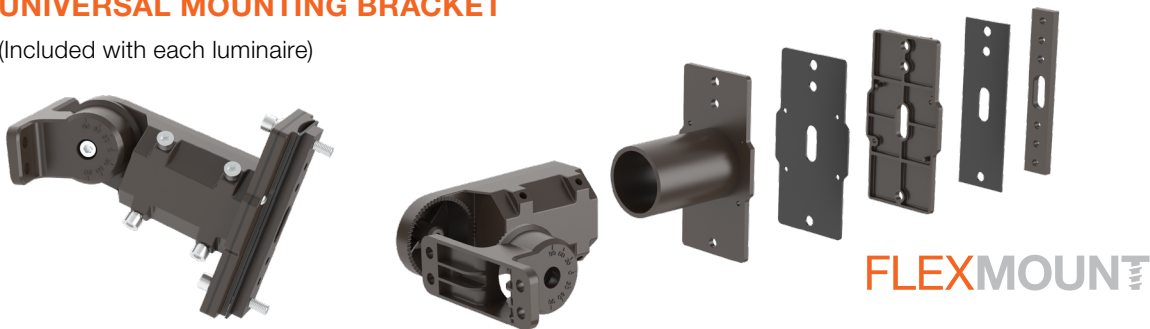
OPTI-SELECT 80W

OPTI-SELECT 150W

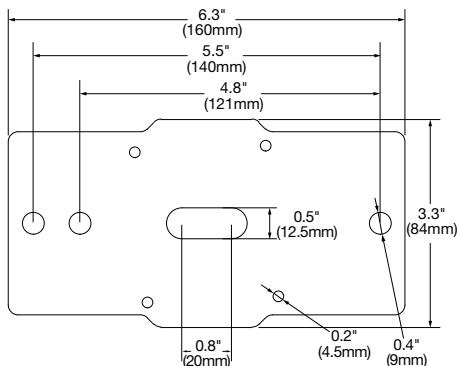
OPTI-SELECT 300W

UNIVERSAL MOUNTING BRACKET

(Included with each luminaire)



POLE DRILL PATTERN

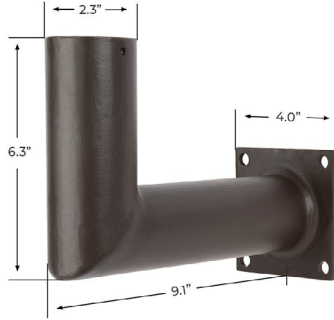
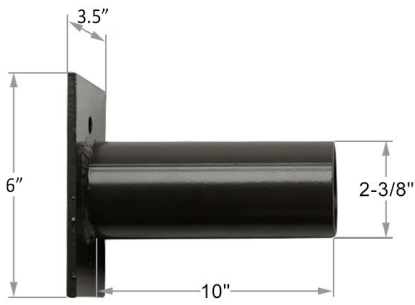


ACCESSORIES

ITEM #	ORDERING ABBREVIATION	ITEM DESCRIPTION
Visors		
66188	AREAOPTISELECTSMVISORFBBZ	Small visor, front or back, bronze (for 80W)
66189	AREAOPTISELECTMEDVISORFBBZ	Medium visor, front or back, bronze (for 150W)
66190	AREAOPTISELECTLRGVISORFBBZ	Large visor, front or back, bronze (for 300W)
66191	AREAOPTISELECTSMVISORLRBZ	Small visor, left or right, bronze (for 80W)
66192	AREAOPTISELECTMEDVISORLRBZ	Medium visor, left or right, bronze (for 150W)
66193	AREAOPTISELECTLRGVISORLRBZ	Large visor, left or right, bronze (for 300W)
66348	AREAOPTISELECTSMVISORFBBL	Small visor, front or back, black (for 80W)
66349	AREAOPTISELECTMEDVISORFBBL	Medium visor, front or back, black (for 150W)
66350	AREAOPTISELECTLRGVISORFBBL	Large visor, front or back, black (for 300W)
66351	AREAOPTISELECTSMVISORLRBL	Small visor, right or left, black (for 80W)
66352	AREAOPTISELECTMEDVISORLRBL	Medium visor, right or left, black (for 150W)
66353	AREAOPTISELECTLRGVISORLRBL	Large visor, right or left, black (for 300W)
66354	AREAOPTISELECTSMVISORFBWH	Small visor, front or back, white (for 80W)
66355	AREAOPTISELECTMEDVISORFBWH	Medium visor, front or back, white (for 150W)
66356	AREAOPTISELECTLRGVISORFBWH	Large visor, front or back, white (for 300W)
66357	AREAOPTISELECTSMVISORLRWH	Small visor, right or left, white (for 80W)
66358	AREAOPTISELECTMEDVISORLRWH	Medium visor, right or left, white (for 150W)
66359	AREAOPTISELECTLRGVISORLRWH	Large visor, right or left, white (for 300W)
Bird Spikes		
63961	AREAFLD6ASMBIRDSPIKE	Small Bird Spike (80-150W)
63962	AREAFLD6ALRGBIRDSPIKE	Large Bird Spike (300W)
Wall Mounting Brackets		
61174	BRACKET1AWALLHORIZTENONBZ	Horizontal wall mounting bracket, Bronze
61175	BRACKET1AWALL90DEGTENONBZ	90° wall mounting bracket, Bronze
Sensors		
62664	HIGHBAYPIRMOTIONDAYSENSOR2	Field installable PIR Motion/Daylight Sensor, IP65, Max. mounting height 39ft, White
65622*	HIGHBAYMOTIONDAYSENSOR	Field installable Microwave Motion/Daylight Sensor, IP65, Max. mounting height 49ft, White
65623	REMOTE/MOTIONDAY/001	Remote control for Motion/Daylight Sensors – Remote is required to change default settings
Photocells		
61393	AREAFLDXANEMAPHOTOCELLUNV	Area/Flood NEMA photocell 120-277V
64258	AREAFLDXANEMAPHOTOCELLHUV	Area/Flood NEMA photocell 347-480V
63197	NEMASHORTINGCAP	NEMA Shorting cap (base unit already ships with shorting cap)
LEDVANCE LINK™ Accessories		
63652	SENSORADAPTER1A	Sensor adapter for LEDVANCE LINK™ sensors
75913	SENSOR2ODPIR3.5BLEBLK	Outdoor Bluetooth® Low Energy Mesh PIR sensor with controller, Screw-in Plug & Play, 3.5mm AUX, Black
75914	CONTROL2OD3.5BLEBLK	Outdoor Bluetooth® Low Energy Mesh Controller, Screw-in Plug & Play, 3.5mm AUX, Black

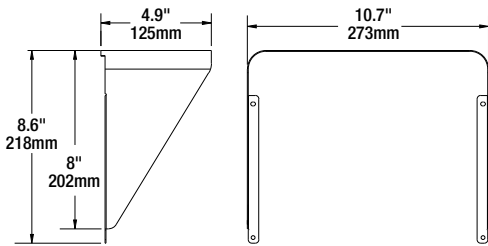
*Microwave sensors are not recommended for outdoor use. Microwave sensors are highly sensitive. Metal, glass, windows, industrial fans, and large obstructions can all generate false triggering. Based on installation, PIR sensor may be a better option, although extreme heat or cold can reduce sensitivity or cause false triggers. For additional application notes, please go to: <https://assets3.ledvanceus.com/media/resource/original/asset-13239171>

WALL BRACKET

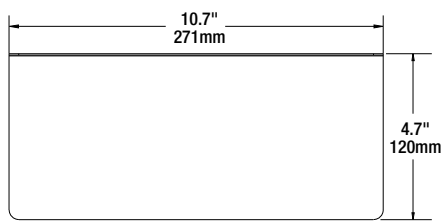


80W VISOR

FRONT/BACK

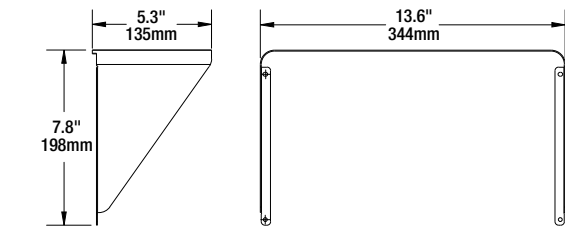


LEFT/RIGHT

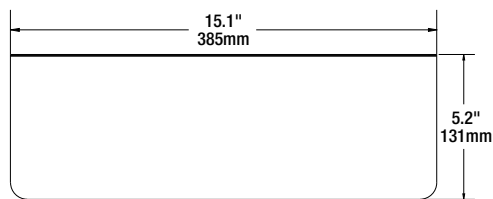


150W VISOR

FRONT/BACK

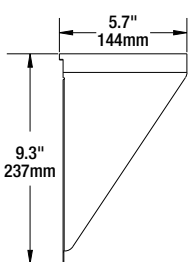


LEFT/RIGHT

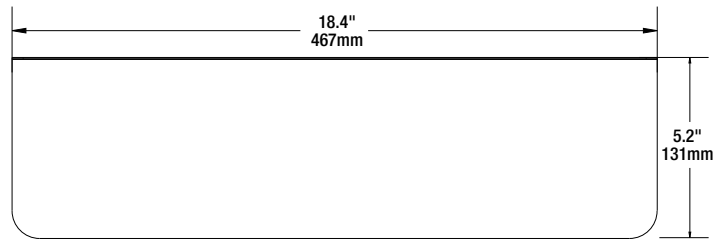


300W VISOR

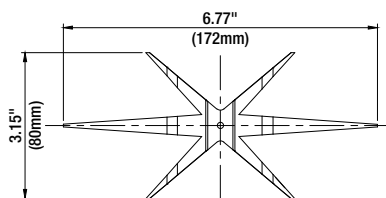
FRONT/BACK



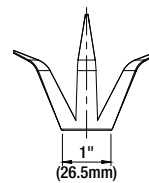
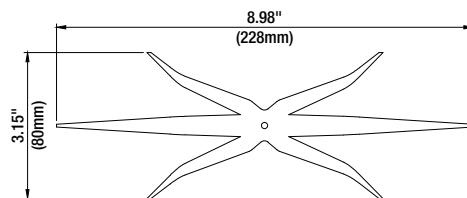
LEFT/RIGHT



SMALL BIRD SPIKE



LARGE BIRD SPIKE



OPTIONAL MOTION/DAYLIGHT SENSOR DEFAULT SETTINGS

Detection Area	100%
Hold time – Time fixtures stays at 100% after last motion before dimming	10 minutes
Daylight threshold – Light level above which lights will remain off	50 Lux
Stand-by period – Time light remains dimmed before shutting off	60 minutes
Stand-by Dimming – dimming level of light during the stand-by period	30%



**MOTION SENSOR
(62664)**



**REMOTE
(65623)**

OPTIONAL LEDVANCE LINK™ ACCESSORIES



**BLUETOOTH® MESH
WIRELESS CONTROLLER
& SENSOR, LEDVANCE
LINK™ (75913)**



**SENSOR
ADAPTER FOR
LEDVANCE LINK™
SENSORS**

BENEFITS & FEATURES

- The LEDVANCE LINK™ Bluetooth® Mesh Low Voltage components use Bluetooth® technology for easy and secure wireless communication
- Enables regular LEDVANCE luminaires to become Bluetooth® enabled and allows for luminaires to be turned on/off and dimmed (manual or auto)
- Components can be used up to 40ft fixture mounting height
- Control using either the LEDVANCE LINK™ app or the wireless/wired wall controller

SENSOR INFORMATION

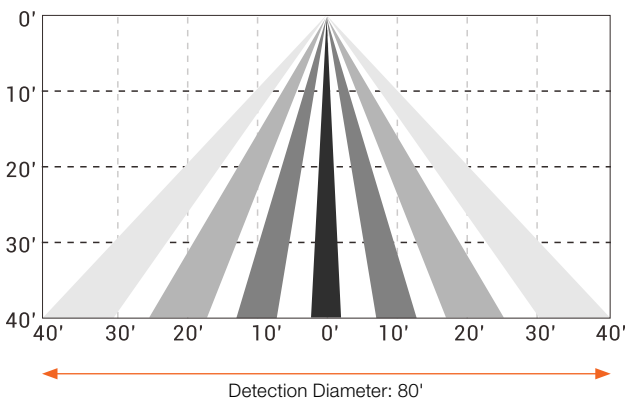
- Photocell Threshold On/Off + PIR sensing technology
- Input voltage: 12Vdc
- Bluetooth® transmission range: 328ft max.
- Detection range: 48-80ft
- Input current: 50mA
- Dimming: 0-10V
- Mounting height: 20-40ft
- Operating temperature: -22°F~131°F (-30°C~55°C)
- IP rating: IP66, wet rated
- Protocol: Bluetooth® Mesh BLE Proprietary



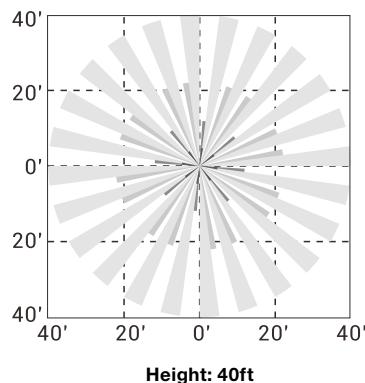
COMMISSIONING
GUIDE

MOUNTING HEIGHT: UP TO 40'

Detection Coverage Side View



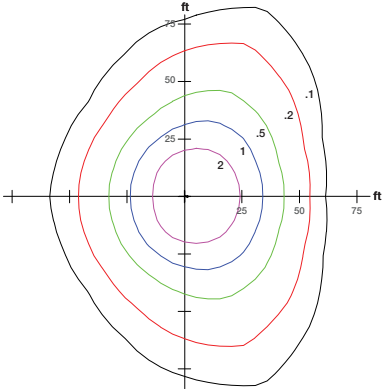
Detection Coverage Top View



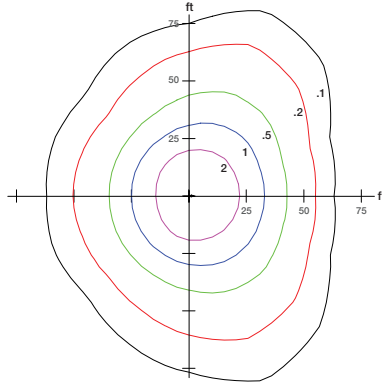
PHOTOMETRIC INFORMATION

HORIZONTAL ISO FOOT-CANDLE PLOT

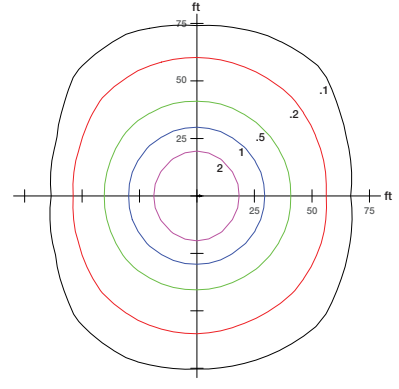
80W luminaire, T3 distribution, 4000K, mounted at 25' height



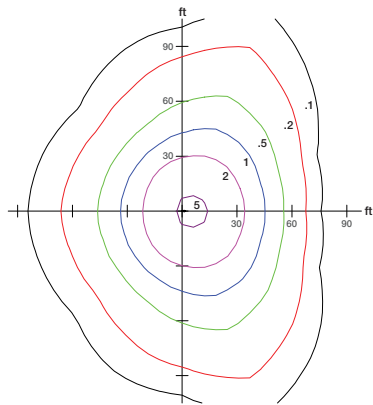
80W luminaire, T4 distribution, 4000K, mounted at 25' height



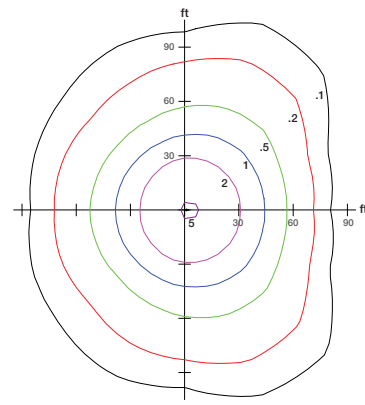
80W luminaire, T5 distribution, 4000K, mounted at 25' height



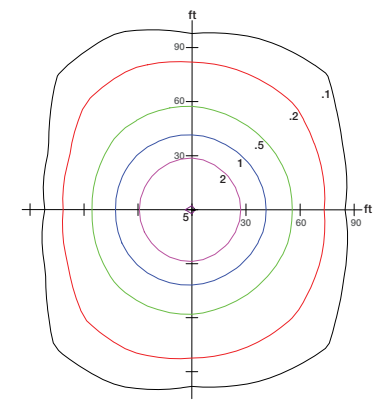
150W luminaire, T3 distribution, 4000K, mounted at 30' height



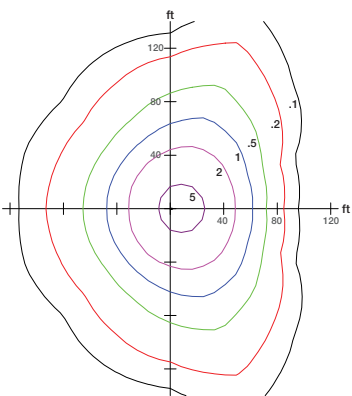
150W luminaire, T4 distribution, 4000K, mounted at 30' height



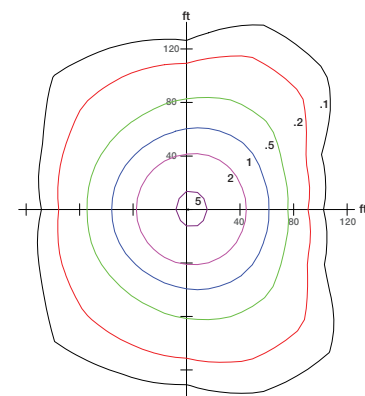
150W luminaire, T5 distribution, 4000K, mounted at 30' height



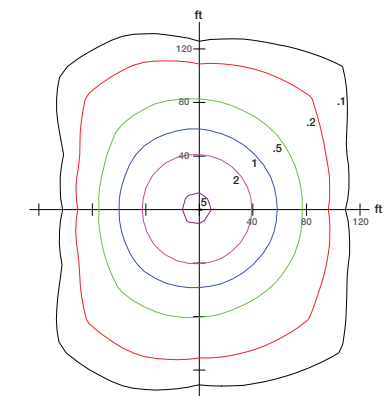
300W luminaire, T3 distribution, 4000K, mounted at 40' height



300W luminaire, T4 distribution, 4000K, mounted at 40' height



300W luminaire, T5 distribution, 4000K, mounted at 40' height



MOUNTING HEIGHT (FT)	15	20	25	30	35	40
MULTIPLIER	4.00	2.25	1.44	1	0.73	0.56

MOUNTING HEIGHT (FT)	25	30	35	40	45	50
MULTIPLIER	2.56	1.78	1.31	1	0.79	0.64

- Multiply the footcandle levels in the diagram according to the desired installation height
- Each tick on the diagram represents a multiple of the mounting height from the fixture



LEDVANCE LLC
181 Ballardvale Street, Suite 203
Wilmington, MA 01887 USA
Phone: 1-800-LIGHTBULB (1-800-544-4828)
www.ledvanceUS.com

LEDVANCE is a registered trademark.
The Bluetooth® word mark and logos are registered trademarks owned by the Bluetooth SIG, Inc. and any use of such marks by LEDVANCE LLC is under license. All other trademarks are those of their respective owners. Specifications subject to change without notice.



SCAN TO FOLLOW US
ON SOCIAL MEDIA