

UNIVERSAL MOUNT LED 4.5" CYLINDER SYSTEM - 5 CCT SELECTABLE UNIVERSAL VOLTAGE/DUAL DIMMING (TRIAC/0-10V)



LR43781
BLACK FINISH



LR43780
WHITE FINISH

SURFACE MOUNT OPTION*



LR43785 LR43786

RECESSED MOUNT OPTION*



LR43792 LR43793

TRIMLESS MOUNT OPTION*



LR43790

LR43791

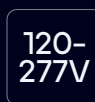


LR43783
TRIMLESS SURFACE
MOUNT BRACKET



COLOR SELECTABLE

2700K 3000K 3500K 4000K 5000K



*ALL ACCESSORIES ARE SOLD SEPARATELY

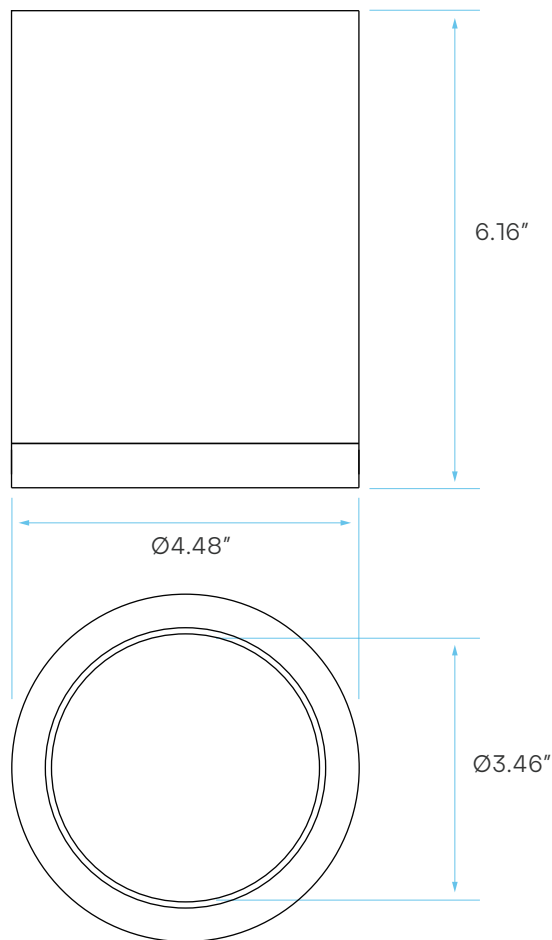
ELECTRICAL

		MODEL	DESCRIPTION	POWER	INPUT VOLTS	EFFICACY	DIMMABLE	LIFETIME	COST/YR
4.5"	WHITE	LR43780	LEDCYL4.5/35W/5CCT/FL38/UNV/DD/WT	35	120-277V	73	TRIAC/0-10V	50,000	\$ 4.21
	BLACK	LR43781	LEDCYL4.5/35W/5CCT/FL38/UNV/DD/BK	35	120-277V	73	TRIAC/0-10V	50,000	\$ 4.21

PHOTOMETRIC

MODEL	DESCRIPTION	COLOR (CCT)	TEMP	LUMEN	FLOOD	CRI	ETL LISTED
LR43780	LEDCYL4.5/35W/5CCT/FL38/UNV/DD/WT	2700K/3000K/3500K/4000K/5000K	CCT SELECT	2500	38°	90	YES
LR43781	LEDCYL4.5/35W/5CCT/FL38/UNV/DD/BK	2700K/3000K/3500K/4000K/5000K	CCT SELECT	2500	38°	90	YES

DIMENSIONS

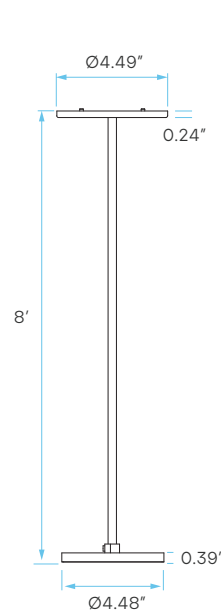


4.5" CYLINDER - SURFACE MOUNT 8FT CABLE

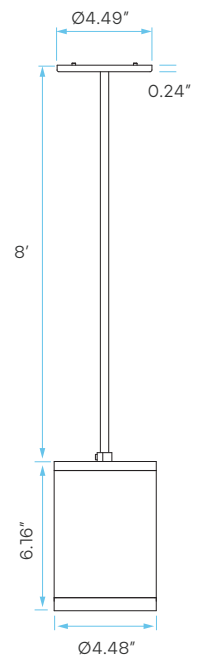
*SOLD SEPARATELY



DIMENSIONS



ASSEMBLED VIEW



SURFACE MOUNT 8FT CABLE

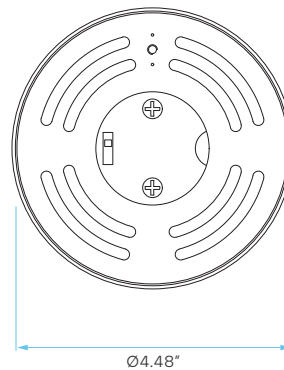
MODEL	DESCRIPTION	FINISH
LR43785	LEDCYL4.5/SMOUNT/8FTCBL/WT	WHITE
LR43786	LEDCYL4.5/SMOUNT/8FTCBL/BK	BLACK

4.5" CYLINDER - TRIMLESS SURFACE MOUNT BRACKET

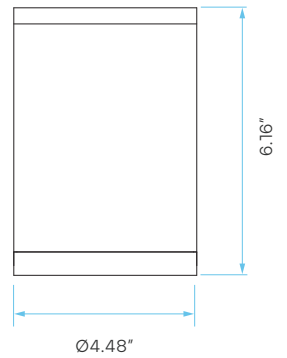
*SOLD SEPARATELY



DIMENSIONS



ASSEMBLED VIEW



TRIMLESS SURFACE MOUNT BRACKET

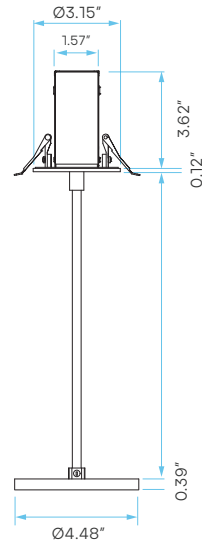
MODEL	DESCRIPTION
LR43783	LEDCYL4.5/SMOUNT

4.5" CYLINDER - RECESSED MOUNT 8FT CABLE

*SOLD SEPARATELY



DIMENSIONS

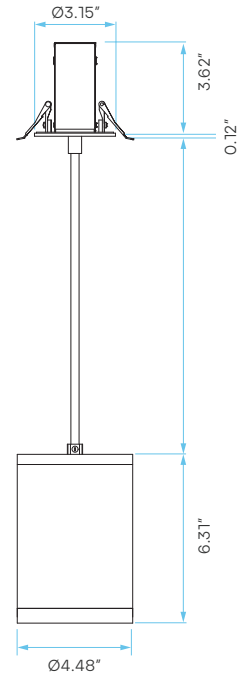


CUTOUT: Ø2.75"

PLATE COMPATIBILITY

PLATE	CUTOUT	KNOCKOUT SIZE
LR41004	#1	Ø2.83" (Ø72 mm)
LR41010	#L1	Ø2.83" (Ø72 mm)
LR41011	#1	Ø2.83" (Ø72mm)

ASSEMBLED VIEW



RECESSED MOUNT - 8FT CABLE

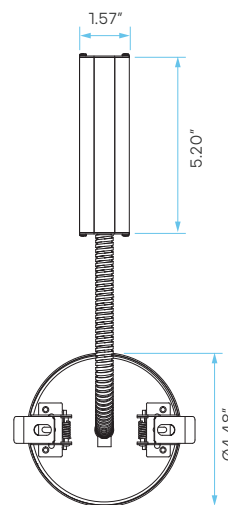
MODEL	DESCRIPTION	FINISH
LR43792	LEDCYL4.5/RMOUNT/8FTCBL/WT	WHITE
LR43793	LEDCYL4.5/RMOUNT/8FTCBL/BK	BLACK

4.5" CYLINDER - TRIMLESS MOUNT

*SOLD SEPARATELY



DIMENSIONS

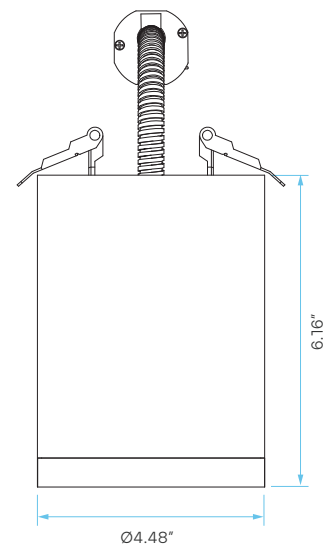


CUTOUT: Ø3.85"

PLATE COMPATIBILITY

PLATE	CUTOUT	KNOCKOUT SIZE
LR41006	#2	Ø3.75" (Ø95 mm)
LR41004	#2	Ø3.75" (Ø95 mm)
LR41010	#L2	Ø3.75" (Ø95 mm)
LR41011	#3	Ø3.75" (Ø95 mm)

ASSEMBLED VIEW



TRIMLESS MOUNT

MODEL	DESCRIPTION	FINISH
LR43790	LEDCYL4.5/RMOUNT/WT	WHITE
LR43791	LEDCYL4.5/RMOUNT/BK	BLACK