

LED SPOTLIGHT-CANLESS RECESSED MINI PANEL - CCT SELECT 3", 4", 5", 6", 8"



5"
LR23749

12W | 1000 LUMENS

4"
LR23756

10W | 750 LUMENS

3"
LR23751

8W | 540 LUMENS



8"
LR23765

18W | 1500 LUMENS

6"
LR23761

12W | 1000 LUMENS



COLOR SELECTABLE

2700K | 3000K | 3500K | 4000K | 5000K



ELECTRICAL

	MODEL	DESCRIPTION	POWER	INPUT VOLTS	LUMEN EFFICACY	LIFETIME	COST/YR
3"	LR23751	LED/MINI3/PANEL/5CCT/RD2	8	120V	68	50,000	\$ 0.96
4"	LR23756	LED/MINI4/PANEL/5CCT/RD2	10	120V	70	50,000	\$ 1.20
5"	LR23749	LED/MINI5/PANEL/5CCT/RD	12	120V	83	50,000	\$ 1.44
6"	LR23761	LED/MINI6/PANEL/5CCT/RD2	12	120V	83	50,000	\$ 1.45
8"	LR23765	LED/MINI8/PANEL/5CCT/RD2	18	120V	83	50,000	\$ 2.17

PHOTOMETRIC

MODEL	DESCRIPTION	COLOR (CCT)	TEMP	LUMEN	CRI	ETL	ENERGY STAR	PLATE (KNOCKOUT)
LR23751	LED/MINI3/PANEL/5CCT/RD2	2700K/3000K/3500K/4000K/5000K	CCT SELECT	540	80	YES	YES	LR41002 (#0) LR41006 (#1) LR41010(R0)
LR23756	LED/MINI4/PANEL/5CCT/RD2	2700K/3000K/3500K/4000K/5000K	CCT SELECT	750	80	YES	YES	LR41002 (#1) LR41006 (#3) LR41010(R1) LR41011 (#4)
LR23749	LED/MINI5/PANEL/5CCT/RD	2700K/3000K/3500K/4000K/5000K	CCT SELECT	1000	80	YES	YES	LR41004 (#3) LR41006 (#4) LR41010 (R2)
LR23761	LED/MINI6/PANEL/5CCT/RD2	2700K/3000K/3500K/4000K/5000K	CCT SELECT	1000	80	YES	YES	LR41002 (#2) LR41006 (#5) LR41010 (R3)
LR23765	LED/MINI8/PANEL/5CCT/RD2	2700K/3000K/3500K/4000K/5000K	CCT SELECT	1500	80	YES	YES	

COMPATIBILITY

LR41002
New Construction Mounting Plate

KNOCKOUTS

KNOCKOUT SIZE

- #0 Ø3.14" (Ø80 mm)
- #1 Ø4.33" (Ø110 mm)
- #2 Ø6.29" (Ø160 mm)

LR41004
New Construction Mounting Plate

KNOCKOUTS

KNOCKOUT SIZE

- #0 Ø2.125" (Ø54 mm)
- #1 Ø2.83" (Ø72 mm)
- #2 Ø3.75" (Ø95 mm)
- #3 Ø5.19" (Ø132 mm)

LR41006
New Construction Mounting Plate

KNOCKOUTS

KNOCKOUT SIZE

- #0 Ø2.12" (Ø54 mm)
- #1 Ø3.15" (Ø80 mm)
- #2 Ø3.75" (Ø95 mm)
- #3 Ø4.25" (Ø108 mm)
- #4 Ø5.25" (Ø132 mm)
- #5 Ø6.25" (Ø159 mm)

LR41010
New Construction Mounting Plate

KNOCKOUT SIZE

- #L0 Ø2.12" (Ø54 mm)
- #L1 Ø2.83" (Ø72 mm)
- #L2 Ø3.75" (Ø95 mm)
- #0 Ø2.12" (Ø54 mm)
- #1 Ø2.83" (Ø72 mm)
- #2 Ø3.75" (Ø95 mm)
- #3 Ø5.19" (Ø132 mm)
- #R0 Ø3.25" (Ø82 mm)
- #R1 Ø4.33" (Ø110 mm)
- #R2 Ø5.25" (Ø132 mm)
- #R3 Ø6.25" (Ø160 mm)

LR41011
New Construction Mounting Plate

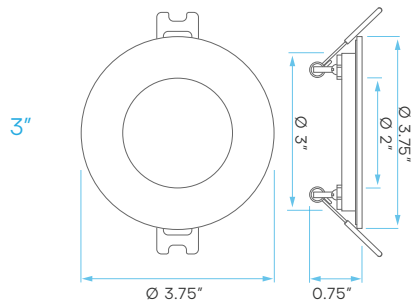
KNOCKOUTS

KNOCKOUT SIZE

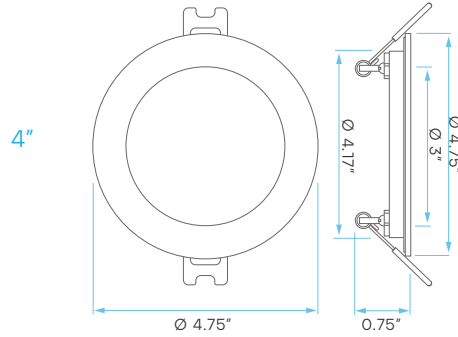
- #0 Ø2.48" (Ø63 mm)
- #1 Ø2.83" (Ø72 mm)
- #2 Ø3.34" (Ø85 mm)
- #3 Ø3.74" (Ø95 mm)
- #4 Ø4.25" (Ø108 mm)

LR35126
Emergency LED Driver

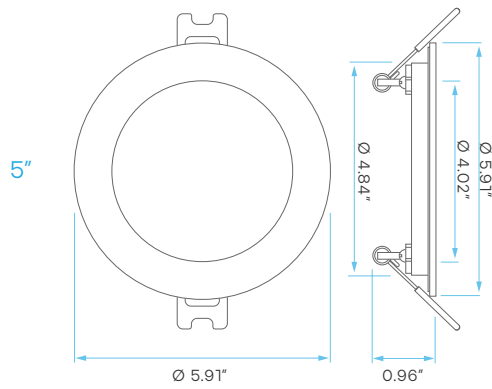
DIMENSIONS



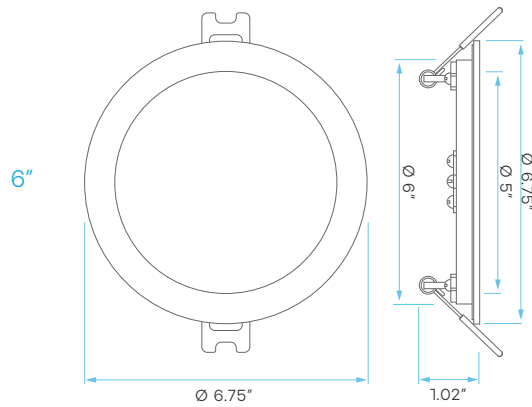
CUTOUT: Ø 3.25"



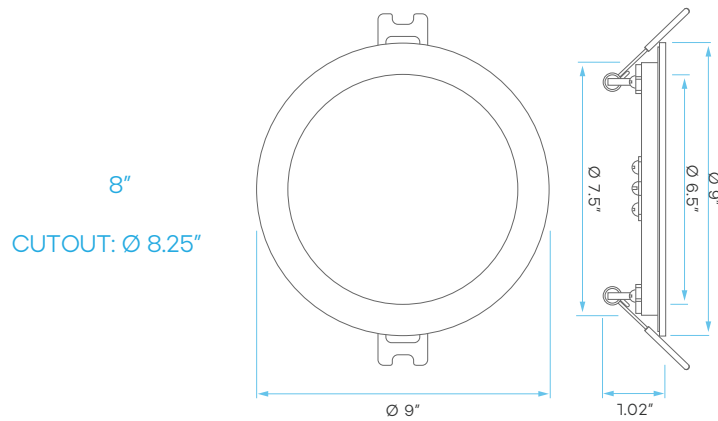
CUTOUT: Ø 4.25"



CUTOUT: Ø 5.12"

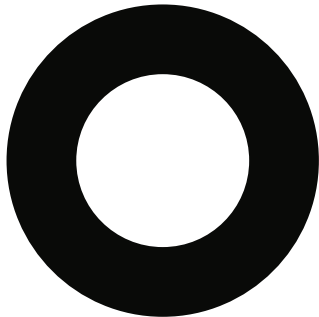


CUTOUT: Ø 6.3"



TRIM REPLACEMENT

*SOLD SEPARATELY



BLACK FINISH
3", 4" & 6"



BRUSHED NICKEL FINISH
4" & 6"



BRONZE FINISH
4" & 6"



BRASS FINISH
3", 4" & 6"

TRIM REPLACEMENT

*SOLD SEPARATELY

	MODEL	DESCRIPTION	TYPE	FINISH
3"	LR23850	LED/MINI3/5CCT/RD/TRIM/BK	3" ROUND TRIM REPLACEMENT	BLACK
	LR23857	LED/MINI3/5CCT/RD/TRIM/BRS	3" ROUND TRIM REPLACEMENT	BRASS
4"	LR23770	LED/MINI4/5CCT/RD/TRIM/BK	4" ROUND TRIM REPLACEMENT	BLACK
	LR23771	LED/MINI4/5CCT/RD/TRIM/BN	4" ROUND TRIM REPLACEMENT	BRUSHED NICKEL
	LR23772	LED/MINI4/5CCT/RD/TRIM/BZ	4" ROUND TRIM REPLACEMENT	BRONZE
	LR23858	LED/MINI4/5CCT/RD/TRIM/BRS	4" ROUND TRIM REPLACEMENT	BRASS
6"	LR23859	LED/MINI6/5CCT/RD/TRIM/BRS	6" ROUND TRIM REPLACEMENT	BRASS
	LR23776	LED/MINI6/5CCT/RD/TRIM/BK	6" ROUND TRIM REPLACEMENT	BLACK
	LR23777	LED/MINI6/5CCT/RD/TRIM/BN	6" ROUND TRIM REPLACEMENT	BRUSHED NICKEL
	LR23778	LED/MINI6/5CCT/RD/TRIM/BZ	6" ROUND TRIM REPLACEMENT	BRONZE

120-277V DRIVER

*SOLD SEPARATELY

	MODEL	DESCRIPTION	POWER	INPUT	OUTPUT
10W	LR23767	LED/MINI4/5CCT/UNV/DRIVER	10.5	120-277V	20-35DAC
12W	LR23768	LED/MINI6/5CCT/UNV/DRIVER	12	120-277V	20-35DAC

