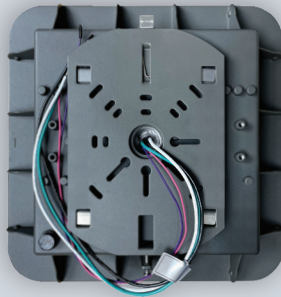


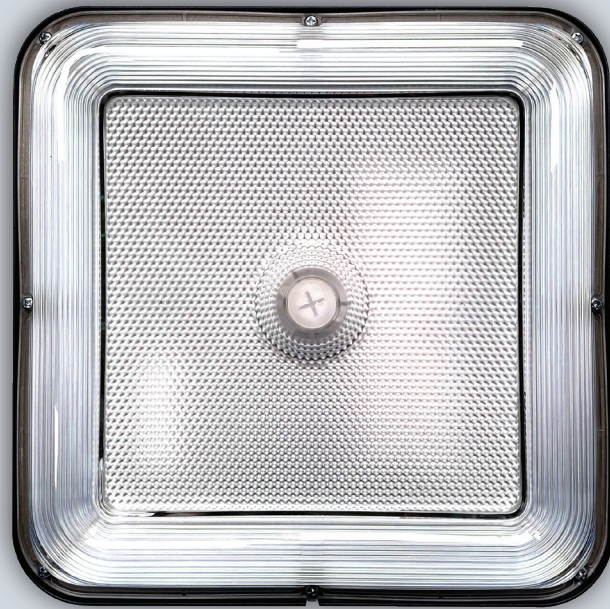
LED OUTDOOR GARAGE CANOPY - CCT & WATTAGE SELECTABLE 50W, 100W



UV RESISTANT LENS



MOUNTING BRACKET



LR40716
30W 40W 50W

LR40719
65W 80W 100W

EMERGENCY OPTION ALSO AVAILABLE

LR40716+EM
LR40719+EM



CRI
80

COLOR SELECTABLE

WATTAGE SELECTABLE

DIMMABLE

0-10V

120-
277V



BATTERY
BACKUP



WET
LOCATION
RATED
IP-65



UV
RESISTANT
LENS

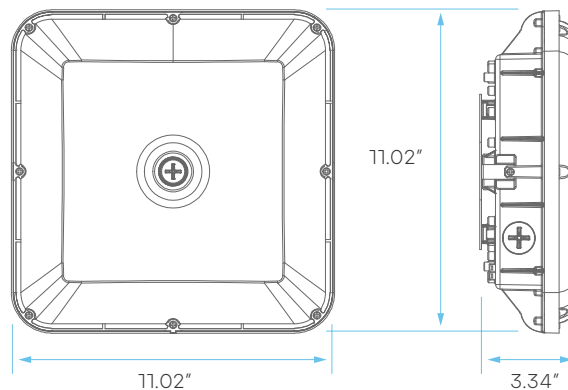


SENSOR
ADAPTER
READY



5
YEAR
WARRANTY

*OPTION
AVAILABLE



ELECTRICAL

	MODEL	DESCRIPTION	POWER	LUMEN	INPUT VOLTS	EFFICACY	LIFETIME	COST/YR	EMERGENCY TIME
50W	LR40716	LEDCN50/3CCT/3WO/UNV/B	30	3600	120-277V	120	50,000	\$ 6.02	
			40	4800					
			50	6000					
	LR40716+EM	LEDCN50/3CCT/3WO/UNV/B+EM	30	3600	120-277V	120	50,000	\$ 6.02	90 MINS
			40	4800					
			50	6000					
100W	LR40719	LEDCN100/3CCT/3WO/UNV/B	65	7800	120-277V	120	50,000	\$ 12.04	
			80	9600					
			100	12000					
	LR40719+EM	LEDCN100/3CCT/3WO/UNV/B+EM	65	7800	120-277V	120	50,000	\$ 12.04	90 MINS
			80	9600					
			100	12000					

PHOTOMETRIC

MODEL	DESCRIPTION	COLOR (CCT)	TEMP	FLOOD	CRI	UV RESISTANT LENS	UL	DLC
LR40716	LEDCN50/3CCT/3WO/UNV/B	3000K	CCT SELECT	150°	80	YES	YES	S-04QDDM
		4000K						
		5000K						
LR40716+EM	LEDCN50/3CCT/3WO/UNV/B+EM	3000K	CCT SELECT	150°	80	YES	YES	S-04QDDM
		4000K						
		5000K						
LR40719	LEDCN100/3CCT/3WO/UNV/B	3000K	CCT SELECT	150°	80	YES	YES	S-T56M53
		4000K						
		5000K						
LR40719+EM	LEDCN100/3CCT/3WO/UNV/B+EM	3000K	CCT SELECT	150°	80	YES	YES	S-T56M53
		4000K						
		5000K						

COMPATIBLE WITH:

LR35133
Emergency LED Driver



LR40713
MICROWAVE BI-LEVEL SENSOR



LR25189
MW BI-LEVEL REMOTE



LR40714
12VDC PHOTOCELL & DAYLIGHT SENSOR





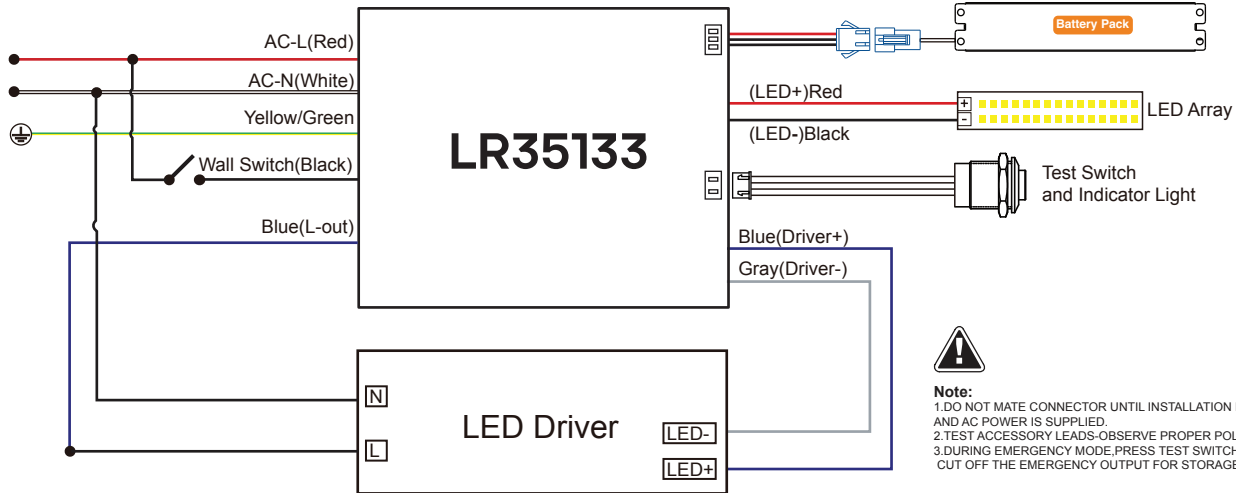
LR35133 - SPECIFICATIONS

MODEL	DESCRIPTION	EM POWER	INPUT VOLTS	FREQUENCY	INPUT CURRENT	INPUT POWER	OUTPUT VOLTAGE	RECHARGE TIME	EMERGENCY TIME
LR35133	LED/EMR/8W/DC/HV	8	100-347V	50/60Hz	<100mA	7W	60-300VDC	24Hr	90min

AMBIENT TEMPERATURE: 41°F ~ 140°F

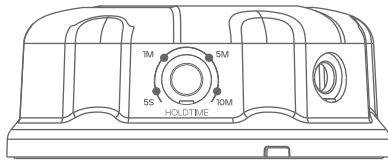
WIRING DIAGRAM

WARNING: DISCONNECT POWER BEFORE INSTALLING OR SERVICING

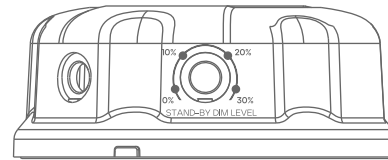


LR40713 - BI-LEVEL MOTION SENSOR SETTINGS

HOLD TIME



STAND-BY DIM LEVEL



LR40714 - 12VDC PHOTOCELL & DAYLIGHT SENSOR

