

LED Luminaires

ProLED Direct Fit Slim Downlight Series

- Five Selectable Color Temperatures
- 90+ CRI for Superior Color Rendering
- Triac Dimming to 10%
- Recessed Baffle Trims
- UL Listed for Wet Locations

Specifications



Description

The ProLED Select Direct Fit Slim Downlight Series provides an ultra-slim solution for shallow plenum spaces in both new construction and retrofit downlighting applications. This product features five selectable color temperatures, 90+ CRI and a low glare output to provide a high performing and simple solution for any lighting project.

Performance

- Selectable color temperatures 2700K, 3000K, 3500K, 4000K, 5000K
- Up to 101 lumens per watt
- High CRI 90+
- L70 lumen maintenance > 50,000 hours
- Dimmable to 10% on compatible dimmers
- 120VAC Input
- 5 Year limited warranty

Construction

- Recessed baffle trim
- Robust die cast aluminum housing - matte white finish
- Color select switch on remote driver enclosure
- Simple installation - no need for additional housing or junction box
- Low profile design
- Spring loaded universal mounting clips
- IC rated steel junction box - 2 x 3/4 knockouts
- 12" Plenum rated cable connector

Certifications

- ETL listed
- Energy Star certified
- IC rated
- Wet location
- Title 24 compliant

ProLED Direct Fit Slim Downlight Series

Ordering Logic

Series	Product Size	Wattage	CCT	Trim
DFDLS = Direct Fit Slim Downlight	3 = 3 Inch 4 = 4 Inch 5 = 5 Inch 6 = 6 Inch 8 = 8 Inch	8 = 6W 10 = 8W 12 = 10W or 11W 15 = 13W 18 = 18W	CS = Color Selectable 2700K/3000K/3500K/ 4000K/5000K	BT = Baffle Trim

Ordering Information

Product SKU	Product Code	Product Description	Energy Star ID
89150	DFDLS3-8-CS-BT	ProLED Select Direct Fit Slim Downlight 3" 6W 500lm CCT Selectable Baffle Trim	3890363
89107	DFDLS4-10-CS-BT	ProLED Select Direct Fit Slim Downlight 4" 8W 650lm CCT Selectable Baffle Trim	3890367
89151	DFDLS5-12-CS-BT	ProLED Select Direct Fit Slim Downlight 5" 10W 800lm CCT Selectable Baffle Trim	3891049
89108	DFDLS6-12-CS-BT	ProLED Select Direct Fit Slim Downlight 6" 11W 900lm CCT Selectable Baffle Trim	3890371
89109	DFDLS6-15-CS-BT	ProLED Select Direct Fit Slim Downlight 6" 13W 1100lm CCT Selectable Baffle Trim	3891048
89110	DFDLS8-18-CS-BT	ProLED Select Direct Fit Slim Downlight 8" 18W 1500lm CCT Selectable Baffle Trim	3891052
Accessories			
89156	DFDLS3-RT-RD-BT-BK	ProLED Select Direct Fit Slim Downlight 3" Round Replaceable Baffle Trim Black	
89111	DFDLS4-RT-RD-RC-BK	ProLED Select Direct Fit Slim Downlight 4" Round Replaceable Recessed Trim Black	
89157	DFDLS5-RT-RD-BT-BK	ProLED Select Direct Fit Slim Downlight 5" Round Replaceable Baffle Trim Black	
89112	DFDLS6-RT-RD-RC-BK	ProLED Select Direct Fit Slim Downlight 6" Round Replaceable Recessed Trim Black	
89113	DFDLS8-RT-RD-RC-BK	ProLED Select Direct Fit Slim Downlight 8" Round Replaceable Recessed Trim Black	
89160	DFDLS3-RT-RD-BT-SN	ProLED Select Direct Fit Slim Downlight 3" Round Replaceable Baffle Trim Satin Nickel	
89114	DFDLS4-RT-RD-RC-SN	ProLED Select Direct Fit Slim Downlight 4" Round Replaceable Recessed Trim Satin Nickel	
89161	DFDLS5-RT-RD-BT-SN	ProLED Select Direct Fit Slim Downlight 5" Round Replaceable Baffle Trim Satin Nickel	
89115	DFDLS6-RT-RD-RC-SN	ProLED Select Direct Fit Slim Downlight 6" Round Replaceable Recessed Trim Satin Nickel	
89116	DFDLS8-RT-RD-RC-SN	ProLED Select Direct Fit Slim Downlight 8" Round Replaceable Recessed Trim Satin Nickel	
89164	DFDLS3-RT-RD-BT-BZ	ProLED Select Direct Fit Slim Downlight 3" Round Replaceable Baffle Trim Bronze	
89117	DFDLS4-RT-RD-RC-BZ	ProLED Select Direct Fit Slim Downlight 4" Round Replaceable Recessed Trim Bronze	
89165	DFDLS5-RT-RD-BT-BZ	ProLED Select Direct Fit Slim Downlight 5" Round Replaceable Baffle Trim Bronze	
89118	DFDLS6-RT-RD-RC-BZ	ProLED Select Direct Fit Slim Downlight 6" Round Replaceable Recessed Trim Bronze	
89119	DFDLS8-RT-RD-RC-BZ	ProLED Select Direct Fit Slim Downlight 8" Round Replaceable Recessed Trim Bronze	
89129	DFDLS-RP-468-RD	ProLED Select Direct Fit Slim Downlight Adjustable Rough In Pan 4", 6", 8"	
89166	FSDLS/RP3RD	ProLED Select Direct Fit Slim Downlight Rough In Pan 3"	
89104	FSDLS/RP4RD	ProLED Select Direct Fit Slim Downlight Rough In Pan 4"	
89167	FSDLS/RP5RD	ProLED Select Direct Fit Slim Downlight Rough In Pan 5"	
89105	FSDLS/RP6RD	ProLED Select Direct Fit Slim Downlight Rough In Pan 6"	
89102	FSDLS/EXT12	ProLED Select Direct Fit Slim Downlight Extension Cable 12"	

ProLED Direct Fit Slim Downlight Series

Specifications Table

	DFDSL3-8-CS-BT	DFDSL4-10-CS-BT	DFDLS5-12-CS-BT	DFDLS6-12-CS-BT	DFDLS6-15-CS-BT	DFDLS8-18-CS-BT
Nominal Wattage	6W	8W	10W	11W	13W	18W
Delivered Lumens	503 - 534	665 - 710	826 - 865	977 - 1019	1117 - 1166	1714 - 1765
Efficacy (lm/W)	85 - 91	83 - 90	83 - 91	89 - 95	87 - 93	98 - 103
CCT	Selectable - 2700K, 3000K, 3500K, 4000K, 5000K					
CRI	90+					
L70 Lifetime (hrs)	50,000					
Voltage	120VAC					
Power Factor	>0.9					
Dimming	Triac Dimming to 10%					
Housing Material	Aluminum					
Driver Housing Material	Steel					
Operating Temperature	-20°C - '40°C					
Listings	ETL, Energystar, Title 24, JA-8					
Environment	UL, Wet Location, IC Rated					
Warranty	5 Years Standard					

Performance Table

Product Code	Selectable Wattage	2700K		3000K		3500K		4000K		5000K	
		Lumen Output (lm)	Efficacy (lm/W)	Lumen Output (lm)	Efficacy (lm/W)	Lumen Output (lm)	Efficacy (lm/W)	Lumen Output (lm)	Efficacy (lm/W)	Lumen Output (lm)	Efficacy (lm/W)
DFDSL3-8-CS-BT	6	503	85	512	88	534	91	522	91	519	88
DFDSL4-10-CS-BT	8	665	83	670	87	710	90	706	89	686	87
DFDLS5-12-CS-BT	10	826	85	830	88	865	91	852	90	845	88
DFDLS6-12-CS-BT	11	977	89	981	92	1019	95	1008	94	1004	92
DFDLS6-15-CS-BT	13	1117	87	1124	90	1166	93	1163	93	1152	90
DFDLS8-18-CS-BT	18	1714	98	1740	101	1765	103	1761	103	1757	101

ProLED Direct Fit Slim Downlight Series

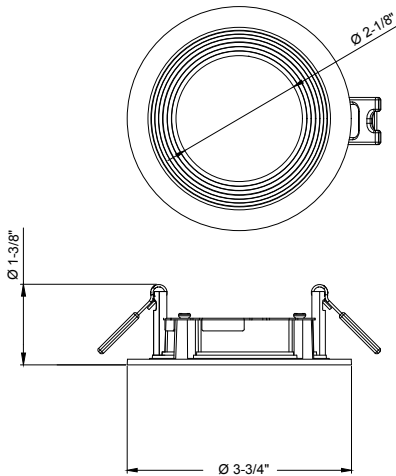
Dimmer Compatibility

Dimmer Compatibility List

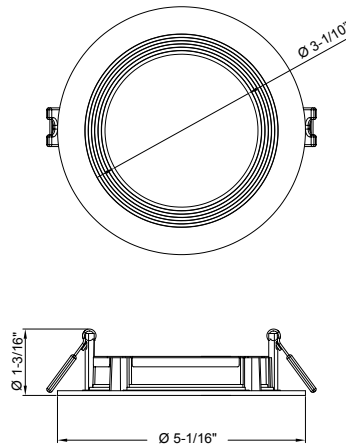
Dimmer Brand	Dimmer Model
LUTRON	MACL-153M, P-PKG1W-WH-R, DVCL-153P, CTCL-153PDH-WH, TGCL-153PH-WH
LEVITON	R12-06672-1LW, R50-IPLO6-10M, R62-066740POW
EATON	SAL06P-LA-K, AAL06-C1

Dimensions

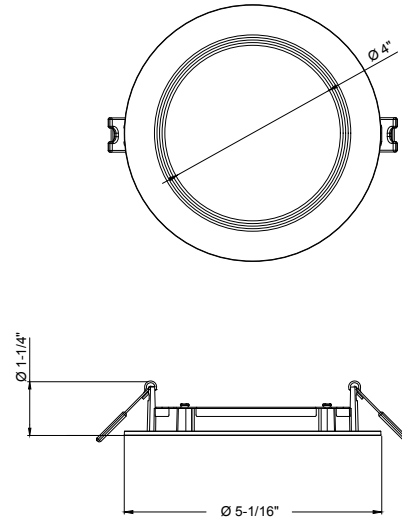
3 Inch-Baffle



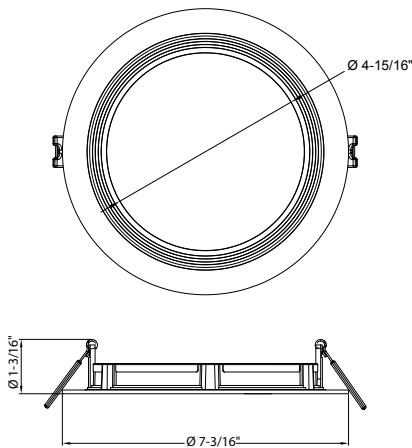
4 Inch-Baffle



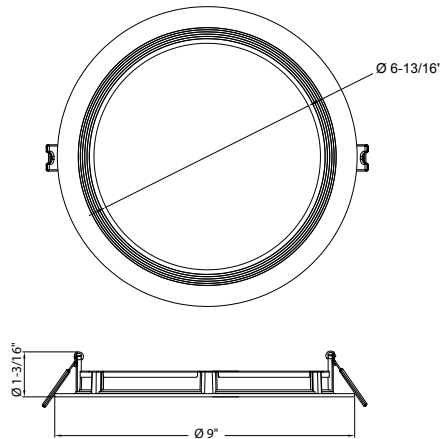
5 Inch-Baffle



6 Inch-Baffle



8 Inch-Baffle

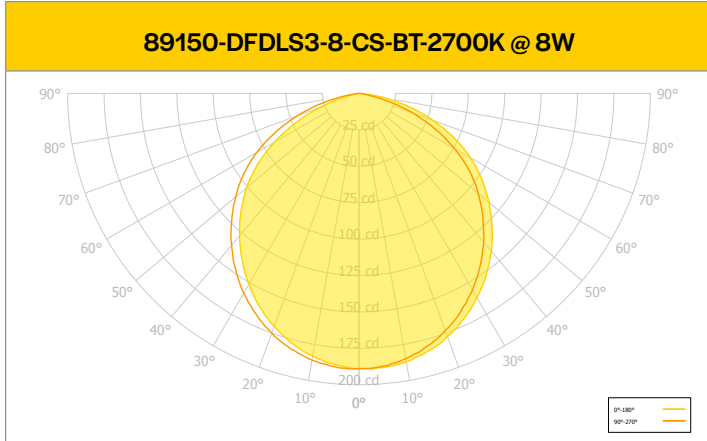


SKU	Ceiling Cutout
89150	3-4/16"
89107	4-5/16"
89151	5-2/16"
89108	6-5/16"
89109	6-5/16"
89110	8-4/16"

ProLED Direct Fit Slim Downlight Series

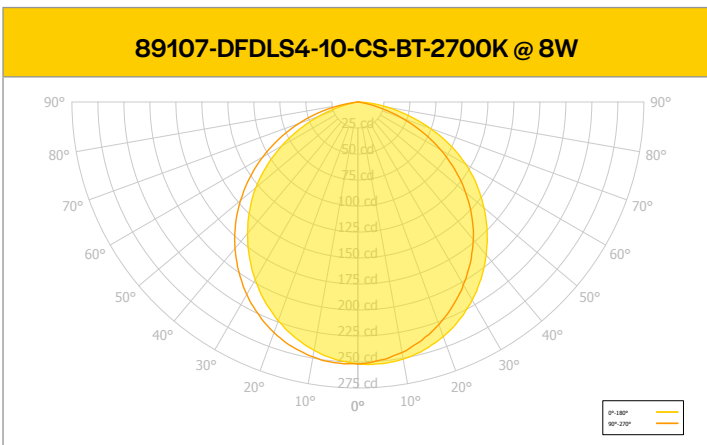
*The below diagrams and zonal lumen summaries represent each fixture at highest wattage selection and at 3000K. For complete photometry/IES files, please visit our website.

Photometrics



Zonal Lumen Summary

LCS Zone	Lumens	% Fixture
0° - 10°	18	4%
10° - 20°	51	10%
20° - 30°	76	15%
30° - 40°	91	18%
40° - 50°	94	19%
50° - 60°	84	17%
60° - 70°	59	12%
70° - 80°	26	5%
80° - 90°	3	1%
90° - 180°	0	0%
0° - 180°	503	100%



Zonal Lumen Summary

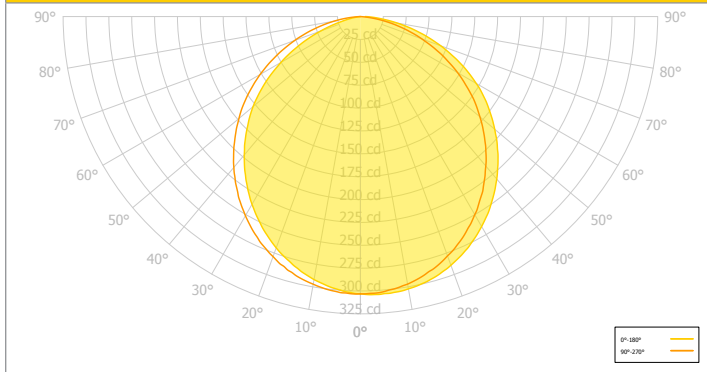
LCS Zone	Lumens	% Fixture
0° - 10°	24	4%
10° - 20°	68	10%
20° - 30°	102	15%
30° - 40°	121	18%
40° - 50°	124	19%
50° - 60°	109	16%
60° - 70°	76	11%
70° - 80°	34	5%
80° - 90°	5	1%
90° - 180°	1	0%
0° - 180°	665	100%

ProLED Direct Fit Slim Downlight Series

*The below diagrams and zonal lumen summaries represent each fixture at highest wattage selection and at 3000K. For complete photometry/IES files, please visit our website.

Photometrics

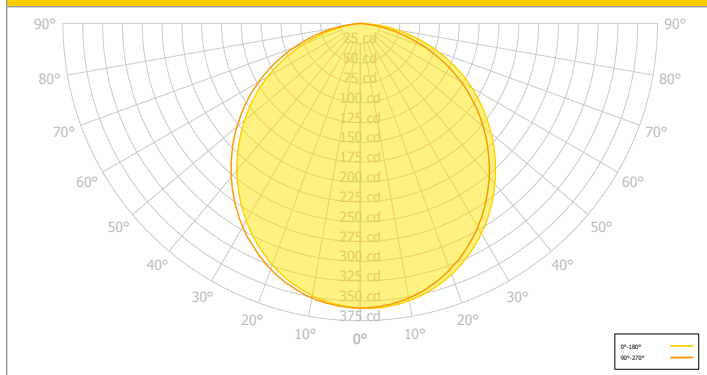
89151-DFDLS5-12-CS-BT-2700K @ 10W



Zonal Lumen Summary

LCS Zone	Lumens	% Fixture
0° - 10°	29	3%
10° - 20°	82	10%
20° - 30°	123	15%
30° - 40°	146	18%
40° - 50°	150	18%
50° - 60°	133	16%
60° - 70°	98	12%
70° - 80°	52	6%
80° - 90°	13	2%
90° - 180°	2	0%
0° - 180°	826	100%

89108-DFDLS6-12-CS-BT-2700K @ 11W



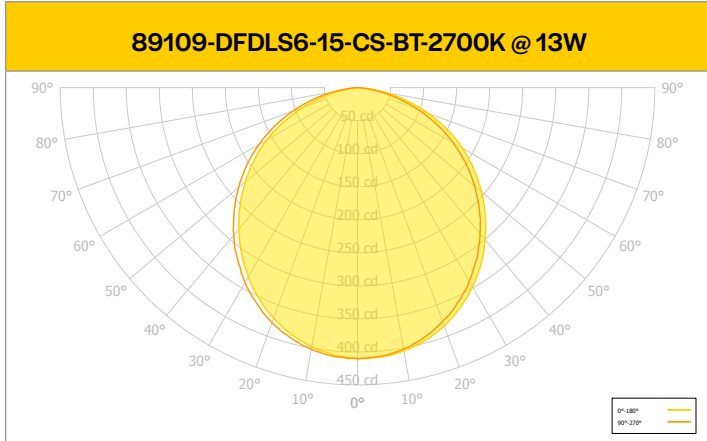
Zonal Lumen Summary

LCS Zone	Lumens	% Fixture
0° - 10°	34	3%
10° - 20°	97	10%
20° - 30°	145	15%
30° - 40°	173	18%
40° - 50°	176	18%
50° - 60°	157	16%
60° - 70°	118	12%
70° - 80°	63	7%
80° - 90°	13	1%
90° - 180°	1	0%
0° - 180°	977	100%

ProLED Direct Fit Slim Downlight Series

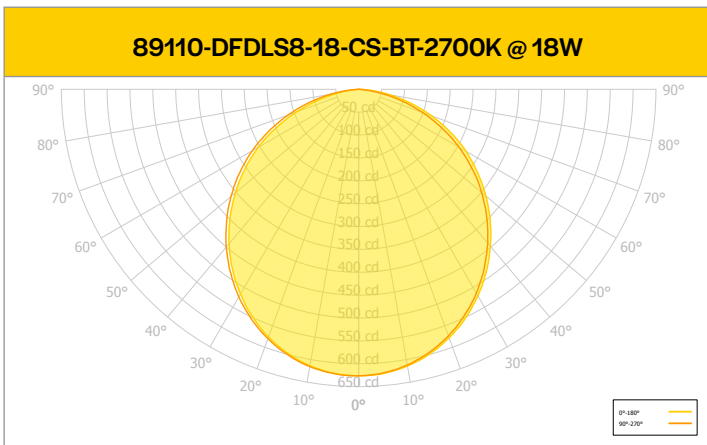
*The below diagrams and zonal lumen summaries represent each fixture at highest wattage selection and at 3000K. For complete photometry/IES files, please visit our website.

Photometrics



Zonal Lumen Summary

LCS Zone	Lumens	% Fixture
0° - 10°	39	3%
10° - 20°	110	10%
20° - 30°	166	15%
30° - 40°	198	18%
40° - 50°	202	18%
50° - 60°	181	16%
60° - 70°	135	12%
70° - 80°	71	6%
80° - 90°	13	1%
90° - 180°	1	0%
0° - 180°	1117	100%



Zonal Lumen Summary

LCS Zone	Lumens	% Fixture
0° - 10°	59	3%
10° - 20°	169	10%
20° - 30°	253	15%
30° - 40°	302	18%
40° - 50°	310	18%
50° - 60°	277	16%
60° - 70°	207	12%
70° - 80°	111	7%
80° - 90°	23	1%
90° - 180°	2	0%
0° - 180°	1714	100%