

LEDVANCE LUMINAIRES

DUAL SELECTABLE AREA LIGHT

LEDVANCE LUMINAIRE SPECIFICATION DATA

Catalog #	Comments
Project	
Type	
Prepared by	

PERFORMANCE CLASS™



APPLICATION

The Performance Class Dual Selectable Area Flood offers 3 CCTs and 3 lumen outputs in the same product, an integrated 7-pin NEMA receptacle and field installable screw-in sensors. Available in multiple distribution options, it is ideal for parking lots, walkways and general outdoor area lighting.

BENEFITS & FEATURES

- Up to 160 LPW
- Selectable color temperature: 3000K, 4000K, and 5000K
- CRI>80
- Selectable wattage and lumens:
 - 40/60/80W | 6,400/9,600/12,800 lm
 - 90/120/150W | 14,400/19,200/24,000 lm
 - 180/240/300W | 28,800/38,400/48,000 lm
- FLEXMOUNT: Universal bracket for slip fitter, wall, round and square pole mounting
- DLC 5.1 Premium Listing assures high energy efficiency and qualifies this product for utility rebates
- Types II, III, IV, V and Front Row distribution options
- Ready for field installable standalone sensors and LEDVANCE LINK™ Bluetooth® controllers and sensors, no wiring required
- 7-pin NEMA receptacle + shorting cap (optional photocell available as an accessory)



ELECTRICAL

- 120-347 V_{AC}
(optional 277-480 V_{AC})
- Power Factor > 0.9
- THD < 20%
- Dimmable 0-10V
- 10kV Surge protection

RATED LIFE

- 100,000 hours (L₇₀) @ 25°C

OPERATING TEMPERATURE

- -40°F to +122°F (-40°C to +50°C)

CERTIFICATIONS & LISTINGS

- cULus listed to UL1598 standards
- RoHs
- FCC
- IP65, wet location
- 3G vibration rated, ANSI C136.31
- DLC 5.1 Premium

WARRANTY

- 5 year
- NLB Trusted Warranty Program

INSTALLATION

- Universal mounting bracket included for square and round pole mounting as well as slip fitter mount

Installation Guide



WATTAGE COMPARISON

LED SOURCE WATTAGE/LUMENS	REPLACES TRADITIONAL SOURCE	ENERGY SAVINGS
90W/12,900lm	HPS/MH	up to 250W
150W/24,000lm		up to 400W
300W/49,000lm		up to 1000W

ORDERING GUIDE

AREAFLD	6A	SXXX	XXX	D	SC2	XX	BZ
PRODUCT NAME	GENERATION	WATTAGE	VOLTAGE	DIMMING	COLOR TEMPERATURE	DISTRIBUTION	COLOR/ FINISH
AREAFLD = Area Flood	6A = Generation 6A	S080 = 40/60/80W S150 = 90/120/150W S300 = 180/240/300W	UNH = 120-347V HUV = 277-480V	D = 0-10V Dimming	SC2 = 3000/4000/5000K	T2 = T2 Distribution T3 = T3 Distribution T4 = T4 Distribution T5 = T5 Distribution FR = Front Row Distribution	BZ = Bronze

ORDERING INFORMATION

ITEM #	ORDERING ABBREVIATION	WATTAGE (W)	INPUT VOLTAGE (V)	DIM. (V)	CRI	COLOR TEMP (CCT)	DISTRIBUTION	TOTAL LUMENS (LM)	DLC	LPW	BUG RATING	MTO*
63845	AREAFLD6AS080UNHDSC2T2BZ	40/60/80	120-347	0-10	>80	3000/4000/5000K	T2 Distribution	6400/9600/12,800	5.1 Prem	Up to 160	B3-U0-G3	✓
63846	AREAFLD6AS080UNHDSC2T3BZ	40/60/80	120-347	0-10	>80	3000/4000/5000K	T3 Distribution	6400/9600/12,800	5.1 Prem	Up to 160	B3-U0-G3	-
63847	AREAFLD6AS080UNHDSC2T4BZ	40/60/80	120-347	0-10	>80	3000/4000/5000K	T4 Distribution	6400/9600/12,800	5.1 Prem	Up to 160	B3-U0-G3	-
63848	AREAFLD6AS080UNHDSC2T5BZ	40/60/80	120-347	0-10	>80	3000/4000/5000K	T5 Distribution	6400/9600/12,800	5.1 Prem	Up to 160	B3-U0-G1	-
63849	AREAFLD6AS080UNHDSC2FRBZ	40/60/80	120-347	0-10	>80	3000/4000/5000K	FR Distribution	6400/9600/12,800	5.1 Prem	Up to 160	B3-U0-G3	✓
63963	AREAFLD6AS080HUVDC2T2BZ	40/60/80	277-480	0-10	>80	3000/4000/5000K	T2 Distribution	6400/9600/12,800	5.1 Prem	Up to 160	B3-U0-G3	✓
63964	AREAFLD6AS080HUVDC2T3BZ	40/60/80	277-480	0-10	>80	3000/4000/5000K	T3 Distribution	6400/9600/12,800	5.1 Prem	Up to 160	B3-U0-G3	✓
63965	AREAFLD6AS080HUVDC2T4BZ	40/60/80	277-480	0-10	>80	3000/4000/5000K	T4 Distribution	6400/9600/12,800	5.1 Prem	Up to 160	B3-U0-G3	✓
63966	AREAFLD6AS080HUVDC2T5BZ	40/60/80	277-480	0-10	>80	3000/4000/5000K	T5 Distribution	6400/9600/12800	5.1 Prem	Up to 160	B3-U0-G1	✓
63967	AREAFLD6AS080HUVDC2FRBZ	40/60/80	277-480	0-10	>80	3000/4000/5000K	FR Distribution	6400/9600/12,800	5.1 Prem	Up to 160	B3-U0-G3	✓
63850	AREAFLD6AS150UNHDSC2T2BZ	90/120/150	120-347	0-10	>80	3000/4000/5000K	T2 Distribution	14,400/19,200/24,000	5.1 Prem	Up to 160	B4-U0-G4	✓
63851	AREAFLD6AS150UNHDSC2T3BZ	90/120/150	120-347	0-10	>80	3000/4000/5000K	T3 Distribution	14,400/19,200/24,000	5.1 Prem	Up to 160	B4-U0-G4	-
63852	AREAFLD6AS150UNHDSC2T4BZ	90/120/150	120-347	0-10	>80	3000/4000/5000K	T4 Distribution	14,400/19,200/24,000	5.1 Prem	Up to 160	B3-U0-G3	-
63853	AREAFLD6AS150UNHDSC2T5BZ	90/120/150	120-347	0-10	>80	3000/4000/5000K	T5 Distribution	14,400/19,200/24,000	5.1 Prem	Up to 160	B4-U0-G2	-
63854	AREAFLD6AS150UNHDSC2FRBZ	90/120/150	120-347	0-10	>80	3000/4000/5000K	FR Distribution	14,400/19,200/24,000	5.1 Prem	Up to 160	B4-U0-G4	✓
63968	AREAFLD6AS150HUVDC2T2BZ	90/120/150	277-480	0-10	>80	3000/4000/5000K	T2 Distribution	14,400/19,200/24,000	5.1 Prem	Up to 160	B4-U0-G4	✓
63969	AREAFLD6AS150HUVDC2T3BZ	90/120/150	277-480	0-10	>80	3000/4000/5000K	T3 Distribution	14,400/19,200/24,000	5.1 Prem	Up to 160	B4-U0-G4	✓
63970	AREAFLD6AS150HUVDC2T4BZ	90/120/150	277-480	0-10	>80	3000/4000/5000K	T4 Distribution	14,400/19,200/24,000	5.1 Prem	Up to 160	B3-U0-G3	✓
63971	AREAFLD6AS150HUVDC2T5BZ	90/120/150	277-480	0-10	>80	3000/4000/5000K	T5 Distribution	14,400/19,200/24,000	5.1 Prem	Up to 160	B4-U0-G2	✓
63972	AREAFLD6AS150HUVDC2FRBZ	90/120/150	277-480	0-10	>80	3000/4000/5000K	FR Distribution	14,400/19,200/24,000	5.1 Prem	Up to 160	B4-U0-G4	✓
63855	AREAFLD6AS300UNHDSC2T2BZ	180/240/300	120-347	0-10	>80	3000/4000/5000K	T2 Distribution	28,800/38,400/48,000	5.1 Prem	Up to 160	B5-U0-G5	✓
63856	AREAFLD6AS300UNHDSC2T3BZ	180/240/300	120-347	0-10	>80	3000/4000/5000K	T3 Distribution	28,800/38,400/48,000	5.1 Prem	Up to 160	B5-U0-G5	-
63857	AREAFLD6AS300UNHDSC2T4BZ	180/240/300	120-347	0-10	>80	3000/4000/5000K	T4 Distribution	28,800/38,400/48,000	5.1 Prem	Up to 160	B5-U0-G5	-
63858	AREAFLD6AS300UNHDSC2T5BZ	180/240/300	120-347	0-10	>80	3000/4000/5000K	T5 Distribution	28,800/38,400/48,000	5.1 Prem	Up to 160	B5-U0-G3	-
63859	AREAFLD6AS300UNHDSC2FRBZ	180/240/300	120-347	0-10	>80	3000/4000/5000K	FR Distribution	28,800/38,400/48,000	5.1 Prem	Up to 160	B5-U0-G5	✓
63973	AREAFLD6AS300HUVDC2T2BZ	180/240/300	277-480	0-10	>80	3000/4000/5000K	T2 Distribution	28,800/38,400/48,000	5.1 Prem	Up to 160	B5-U0-G5	✓
63974	AREAFLD6AS300HUVDC2T3BZ	180/240/300	277-480	0-10	>80	3000/4000/5000K	T3 Distribution	28,800/38,400/48,000	5.1 Prem	Up to 160	B5-U0-G5	✓
63975	AREAFLD6AS300HUVDC2T4BZ	180/240/300	277-480	0-10	>80	3000/4000/5000K	T4 Distribution	28,800/38,400/48,000	5.1 Prem	Up to 160	B5-U0-G5	✓
63976	AREAFLD6AS300HUVDC2T5BZ	180/240/300	277-480	0-10	>80	3000/4000/5000K	T5 Distribution	28800/38,400/48,000	5.1 Prem	Up to 160	B5-U0-G3	✓
63977	AREAFLD6AS300HUVDC2FRBZ	180/240/300	277-480	0-10	>80	3000/4000/5000K	FR Distribution	28,800/38,400/48,000	5.1 Prem	Up to 160	B5-U0-G5	✓

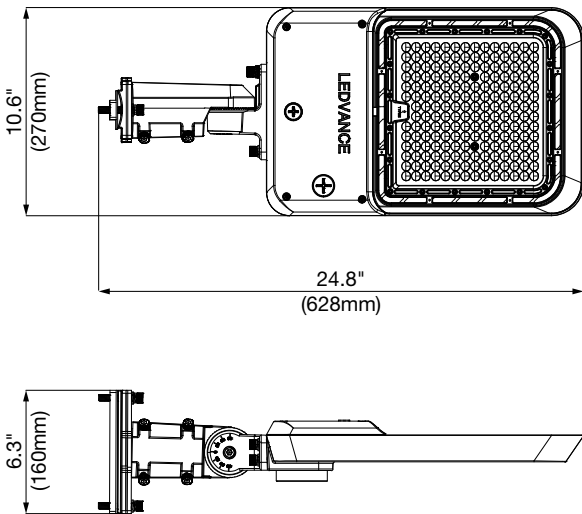
*Made to Order

PHYSICAL INFORMATION

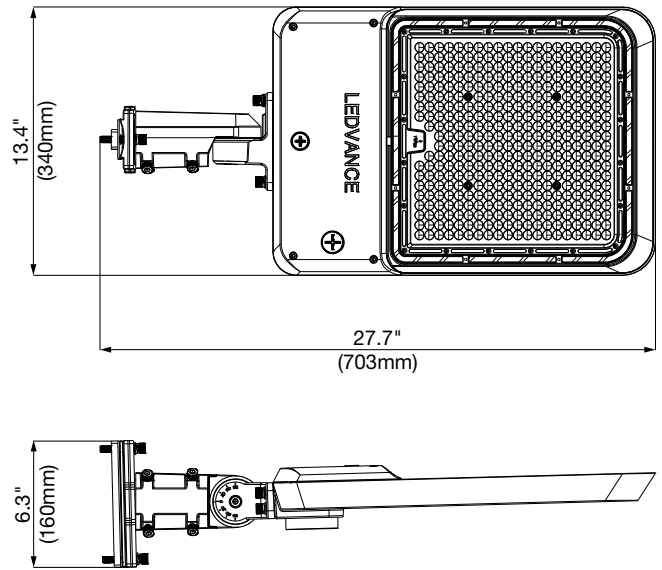
LUMINAIRE DESCRIPTION	LENGTH IN (MM)	WIDTH IN (MM)	HEIGHT IN (MM)	WEIGHT LB (KG)	EPA* (FT²) TILT ANGLE		
					0° (HORIZONTAL)	≤45°	≤90° (VERTICAL)
80W/150W	24.8 (628)	10.6 (270)	6.3 (160)	13 (5.9)	0.44	1.17	1.41
300W	27.7 (703)	13.4 (340)	6.3 (160)	16 (7.26)	0.52	1.82	2.11

*Considering horizontal wind

80W-150W

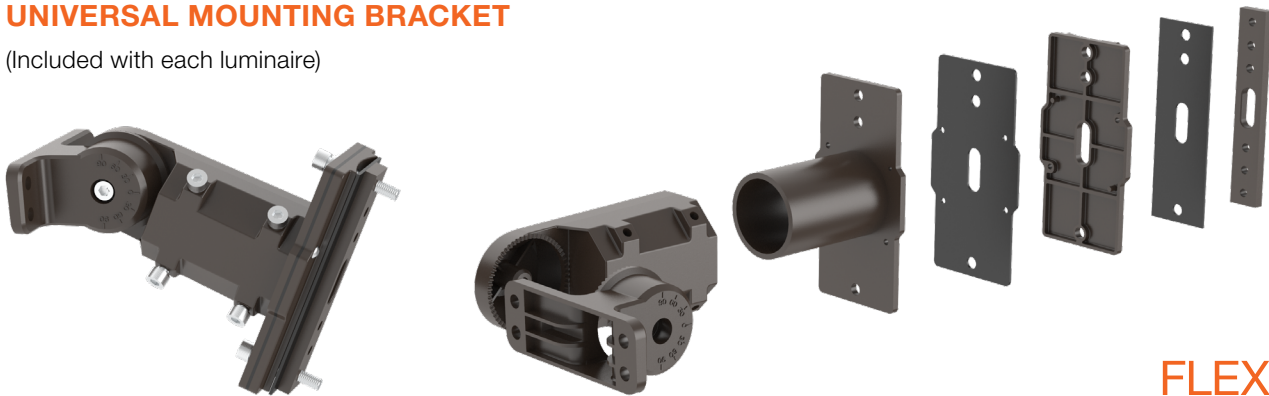


300W



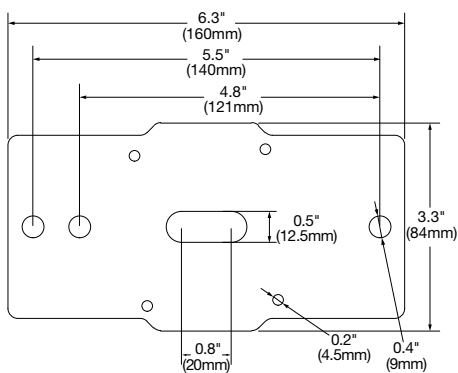
UNIVERSAL MOUNTING BRACKET

(Included with each luminaire)



FLEXMOUNT

POLE DRILL PATTERN

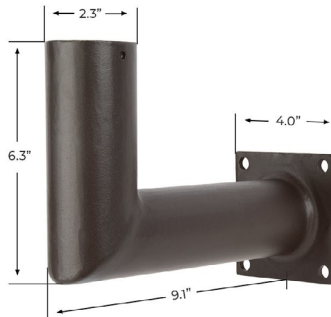
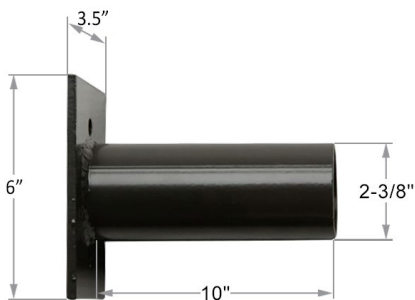


ACCESSORIES

ITEM #	ORDERING ABBREVIATION	ITEM DESCRIPTION
Visors		
63959	AREAFLD6ASMVISORLRBZ	Small Visor, left and right, Bronze (80-150W)
63978	AREAFLD6ASMVISORFBBZ	Small Visor, front and back, Bronze (80-150W)
63960	AREAFLD6ALRGVISORLRBZ	Large Visor, left and right, Bronze (300W)
63979	AREAFLD6ALRGVISORFBBZ	Large Visor, front and back, Bronze (300W)
Bird Spikes		
63961	AREAFLD6ASMBIRDSPIKE	Small Birdspike Kit (80-150W) – one kit for one luminaire
63962	AREAFLD6ALRGBIRDSPIKE	Large Birdspike Kit (300W) – one kit for one luminaire
Wall Mounting Brackets		
61174	BRACKET1AWALLHORIZTENONBZ	Horizontal wall mounting bracket, Bronze
61175	BRACKET1AWALL90DEGTENONBZ	90° wall mounting bracket, Bronze
Sensors		
62664	HIGHBAYPIRMOTIONDAYSENSOR2	Field installable PIR Motion/Daylight Sensor, IP65, Max. mounting height 39ft, White
65622*	HIGHBAYMOTIONDAYSENSOR	Field installable Microwave Motion/Daylight Sensor, IP65, Max. mounting height 49ft, White
65623	REMOTE/MOTIONDAY/001	Remote control for Motion/Daylight Sensors – Remote is required to change default settings
Photocells		
61393	AREAFLDXANEMAPHOTOCELLUNV	Area/Flood NEMA photocell 120-277V
64258	AREAFLDXANEMAPHOTOCELLHUV	Area/Flood NEMA photocell 347-480V
63197	NEMASHORTINGCAP	NEMA Shorting cap (base unit already ships with shorting cap)
LEDVANCE LINK™ Accessories		
63652	SENSORADAPTER1A	Sensor adapter for LEDVANCE LINK™ sensors
75913	SENSOR2ODPIR3.5BLEBLK	Outdoor Bluetooth® Low Energy Mesh PIR sensor with controller, Screw-in Plug & Play, 3.5mm AUX, Black
75914	CONTROL2OD3.5BLEBLK	Outdoor Bluetooth® Low Energy Mesh Controller, Screw-in Plug & Play, 3.5mm AUX, Black

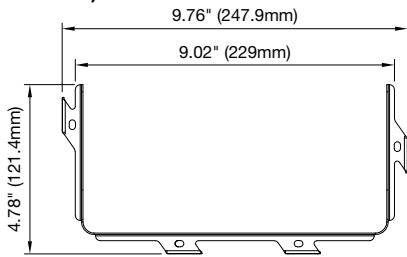
*Microwave sensors are not recommended for outdoor use. Microwave sensors are highly sensitive. Metal, glass, windows, industrial fans, and large obstructions can all generate false triggering. Based on installation, PIR sensor may be a better option, although extreme heat or cold can reduce sensitivity or cause false triggers. For additional application notes, please go to: <https://assets3.ledvanceus.com/media/resource/original/asset-13239171>

WALL BRACKET

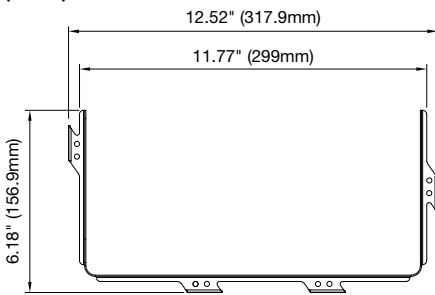


ACCESSORIES: PHYSICAL INFORMATION

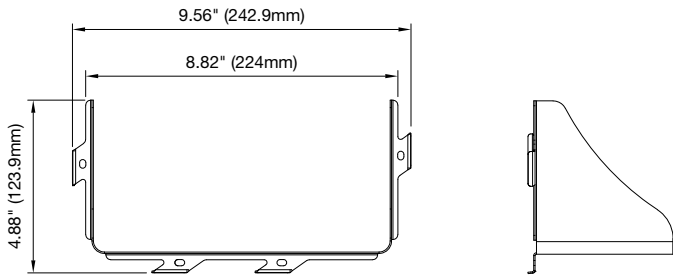
FRONT AND BACK VISOR (80W-150W)



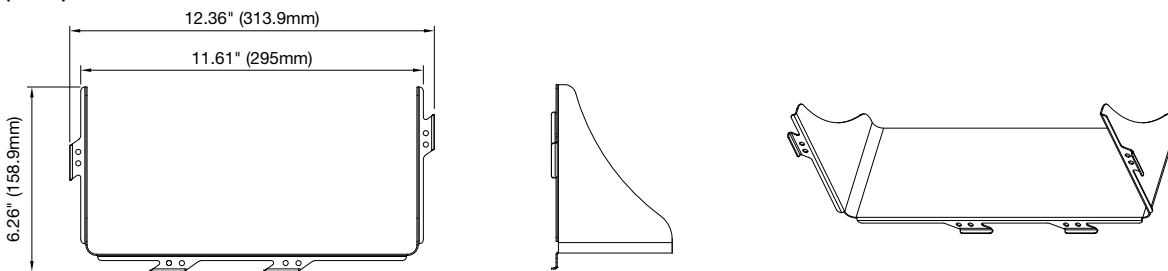
FRONT AND BACK VISOR (300W)



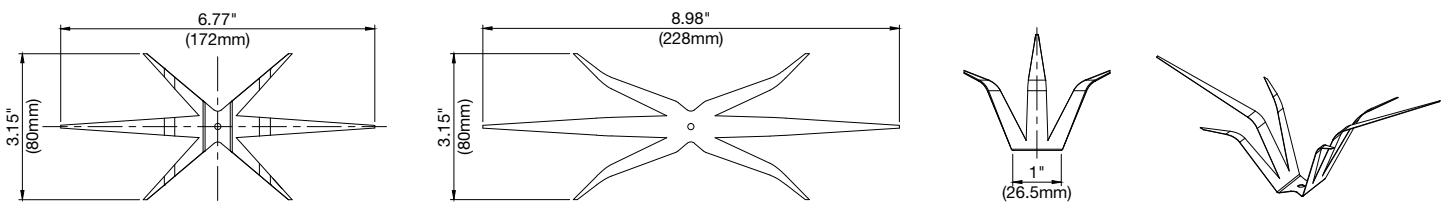
RIGHT AND LEFT VISOR (80W-150W)



RIGHT AND LEFT VISOR (300W)



BIRD SPIKE



OPTIONAL MOTION/DAYLIGHT SENSOR DEFAULT SETTINGS

Detection Area	100%
Hold time – Time fixtures stays at 100% after last motion before dimming	10 minutes
Daylight threshold – Light level above which lights will remain off	50 Lux
Stand-by period – Time light remains dimmed before shutting off	60 minutes
Stand-by Dimming – dimming level of light during the stand-by period	30%



**MOTION SENSOR
(62664)**



**REMOTE
(65623)**

OPTIONAL LEDVANCE LINK ACCESSORIES



**BLUETOOTH® MESH
WIRELESS CONTROLLER
& SENSOR, LEDVANCE
LINK™ (75913)**



**SENSOR
ADAPTER FOR
LEDVANCE LINK™
SENSORS**

Black available in Q1/2025

BENEFITS & FEATURES

- The LEDVANCE LINK Bluetooth® Mesh Low Voltage components use Bluetooth technology for easy and secure wireless communication
- Enables regular LEDVANCE luminaires to become Bluetooth® enabled and allows for luminaires to be turned on/off and dimmed (manual or auto)
- Components can be used up to 40ft fixture mounting height
- Control using either the LEDVANCE LINK™ App or the wireless/wired wall controller

SENSOR INFORMATION

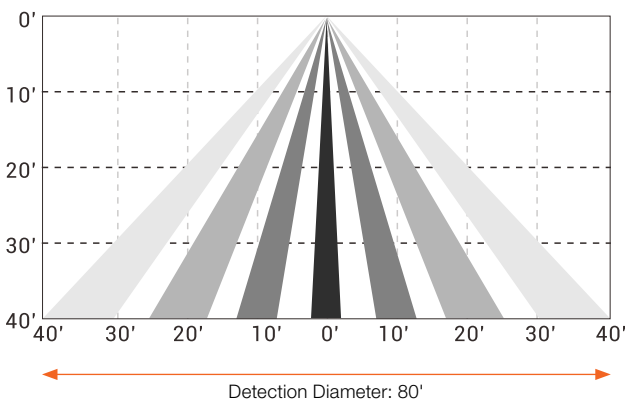
- Photocell Threshold On/Off + PIR sensing technology
- Input voltage: 12Vdc
- Bluetooth® transmission range: 328ft max.
- Detection range: 48-80ft
- Input current: 50mA
- Dimming: 0-10V
- Mounting height: 20-40ft
- Operating temperature: -22°F~131°F (-30°C~55°C)
- IP rating: IP66, wet rated
- Protocol: Bluetooth® Mesh BLE Proprietary



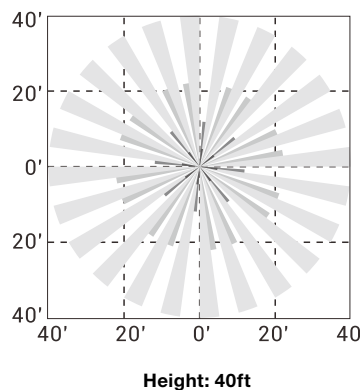
COMMISSIONING
GUIDE

MOUNTING HEIGHT: UP TO 40'

Detection Coverage Side View



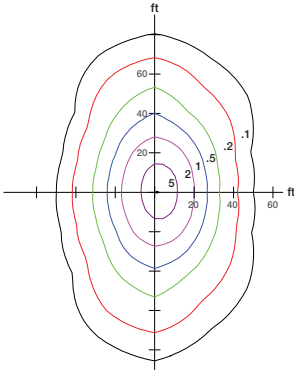
Detection Coverage Top View



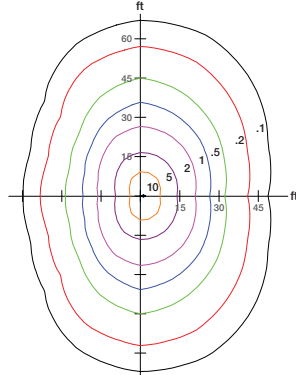
PHOTOMETRIC INFORMATION

HORIZONTAL ISO FOOT-CANDLE PLOT

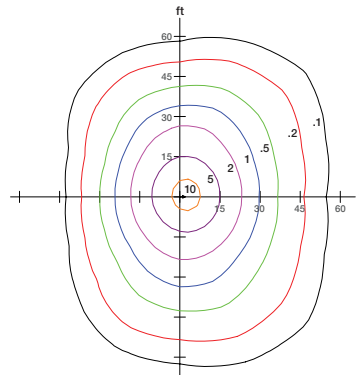
80W Fixture, Type II Distribution, Mounted at 20' mounting height



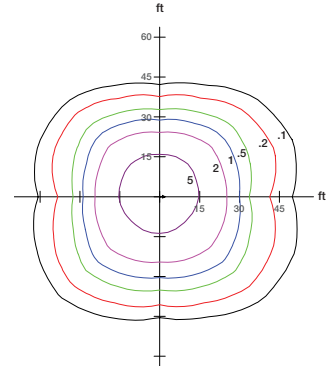
80W Fixture, Type III Distribution, Mounted at 15' mounting height



80W Fixture, Type IV Distribution, Mounted at 15' mounting height

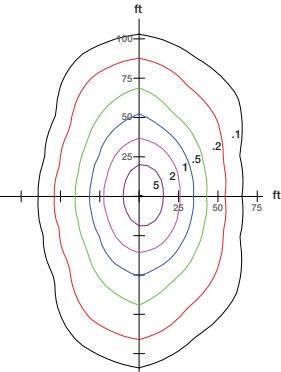


80W Fixture, Type V Distribution, Mounted at 15' mounting height

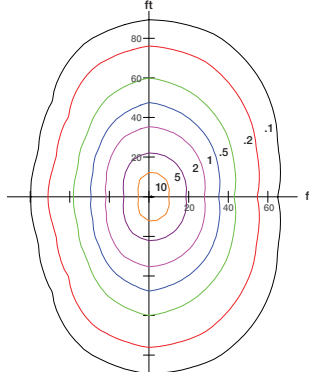


MOUNTING HEIGHT (FT)	10	12	15	18	20	22
MULTIPLIER	2.25	1.56	1.00	0.69	0.56	0.46

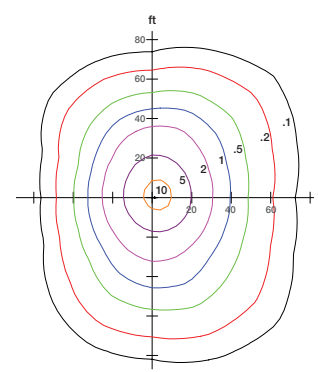
150W Fixture, Type II Distribution, Mounted at 25' mounting height



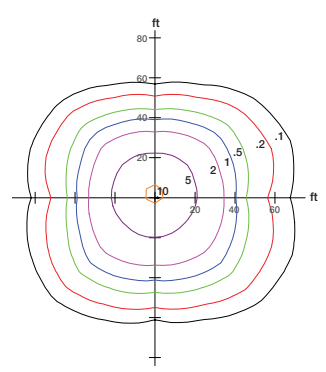
150W Fixture, Type III Distribution, Mounted at 20' mounting height



150W Fixture, Type IV Distribution, Mounted at 20' mounting height

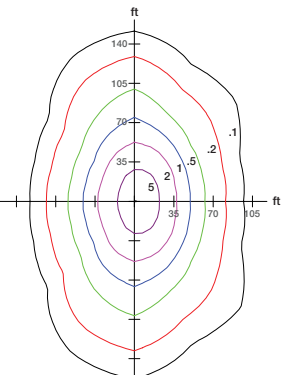


150W Fixture, Type V Distribution, Mounted at 20' mounting height

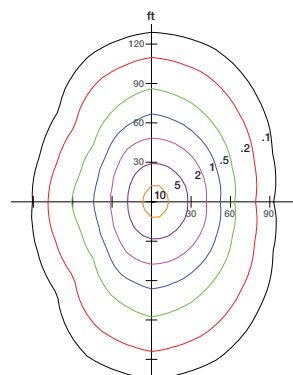


MOUNTING HEIGHT (FT)	12	15	18	20	22	25
MULTIPLIER	2.78	1.78	1.23	1	0.83	0.64

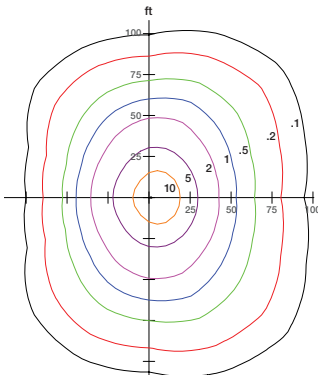
300W Fixture, Type II Distribution, Mounted at 35' mounting height



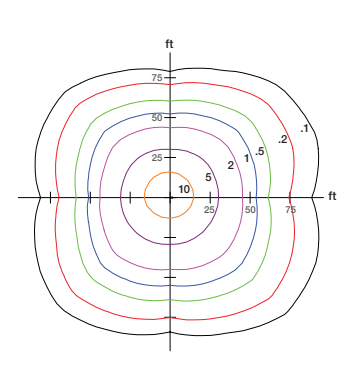
300W Fixture, Type III Distribution, Mounted at 30' mounting height



300W Fixture, Type IV Distribution, Mounted at 25' mounting height



300W Fixture, Type V Distribution, Mounted at 25' mounting height



MOUNTING HEIGHT (FT)	15	20	22	25	30	35
MULTIPLIER	2.78	1.56	1.29	1	0.69	0.51

- Multiply the footcandle levels in the diagram according to the desired installation height
- Each tick on the diagram represents a multiple of the mounting height from the fixture



LEDVANCE LLC
181 Ballardvale Street, Suite 203
Wilmington, MA 01887 USA
Phone: 1-800-LIGHTBULB (1-800-544-4828)
www.ledvanceUS.com

LEDVANCE is a registered trademark.
The Bluetooth® word mark and logos are registered trademarks owned by the Bluetooth SIG, Inc. and any use of such marks by LEDVANCE LLC is under license. All other trademarks are those of their respective owners. Specifications subject to change without notice.



SCAN TO FOLLOW US
ON SOCIAL MEDIA