



JOB NAME \_\_\_\_\_

CONTACT \_\_\_\_\_

ORDERING CODE \_\_\_\_\_

## AURORA Canopy, Track SW

ORDERING CODE		
LIGHT SOURCE	MLED <sup>1</sup>	standard white LED, 450 lm
CCT	30K 35K	3000K 3500K
CRI	90	90 CRI
SHADE COLOR	950 951 952	clear amber blue
FINISH	BK <sup>2</sup> CH <sup>2</sup> MC <sup>2</sup>	black with clear braided cable chrome with clear braided cable matte chrome with clear braided cable
MOUNTING OPTIONS	P <sup>2</sup> ECOBK ECOWH ECOMC GEOBK GEOWH GEOHC ZONMC	canopy pendant ECO/HALO black ECO/HALO white ECO/HALO matte chrome GEO black GEO white GEO matte chrome Zonyx matte chrome



950 clear



951 amber



952 blue

ORDERING CODE \_\_\_\_\_

Follow the steps to specify your fixture, example:  
**MLED - 30K - 90 - 950 - MC - P**

- NOTES**
- For LED info see page 2.
  - Canopy matches the finish chosen.
  - Cable info: 22ga Type SVT Cable. 0.120" outer diameter. Rated to 300V & 105°C.

**DESCRIPTION**

Bruck's European and American Artisan, mouth-blown glass is known throughout the world for its quality and beauty. Offered with cutting edge LED technology along with several mounting options, colors and finishes allow for a unique design. Most of Bruck's mini-pendant glass allows for easy screw-on/screw-off for a simple installation or design change. Pendant L70 is 145,000 hours of operation.

**HOUSING**

The hardware is offered in matte chrome or chrome finish and seconds as the pendant thermal heatsink.

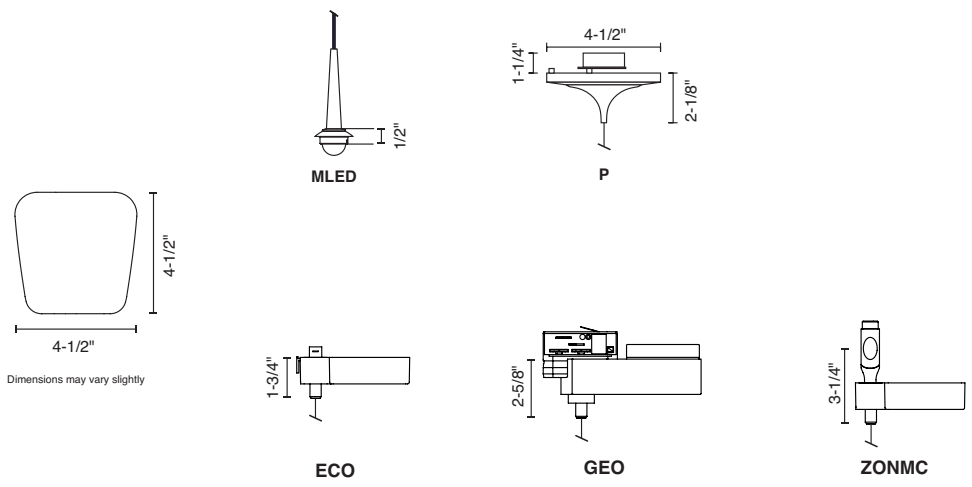
**MOUNTING**

- The pendant can be mounted from Bruck's field adjustable canopy. The standard overall cable length of 59" can be field-cut or specified when ordering. Overall cable length is measured and begins from top of canopy. See the decorative Junction Box Cover for open ceiling applications.
- Optional track mounting: Global Trac Systems, GEO track, ECO track / Halo® Power track, and Zonyx track. Overall cable length begins at the shoulder of the ECO/GEO adapter and the track center of the Zonyx adapter. Cable length measurement ends at the top of glass or to the mounting arms.
- Kevlar coated cable for easy cleaning, short circuit protection, no discoloration and fraying over time.

**LISTINGS**

- Listed to UL1598 and UL1574 (Suitable for dry locations only)
- Listed to CSA C22.2 #250.0 and #9.0

## MOUNTING OPTIONS



## LIGHT SOURCE

Light Source	MLED - Static White LED
<b>Performance</b>	
LED	Cree XHP50
Lumens	450lm
CCT	3000K or 3500K
SDCM	2-Step MacAdam Ellipse
CRI	>90
Lumen Maintenance	L <sub>70</sub> > 145,000 hours
<b>Technical Specs</b>	
Socket Listing	<ul style="list-style-type: none"> <li>• Integrated LED module</li> <li>• ETLus Listed to UL1598, and UL1574 (Suitable for dry locations only)</li> <li>• cETL Listed to CSA C22.2 #250.0 and #9.0</li> </ul>
<b>Mounting</b>	
Canopy	<ul style="list-style-type: none"> <li>• 120-277Vac, 50/60Hz input</li> <li>• 7.0W, 7.5VA</li> <li>• Tri-mode dimming (Triac, ELV and 0-10V)</li> <li>• Mount to 3-1/2" to 4" round J-Box</li> <li>• Short circuit protection</li> <li>• Thermal protection</li> </ul>
Line Voltage Track	<ul style="list-style-type: none"> <li>• 120Vac, 50/60Hz input</li> <li>• 7.0W, 7.5VA</li> <li>• Triac and ELV phase dimming</li> <li>• Connects to line voltage adapter (ECO, GEO, Zonyx)</li> </ul>
<b>Warranty</b>	<ul style="list-style-type: none"> <li>• 5 year limited fixture warranty</li> </ul>