

LUXRITE®

LED CANLESS - SPOTLIGHT JACKSONVILLE COLLECTION

2"



LR25030
LR25031



LR25020
LR25021



LR25034
LR25035

*TRIMS SOLD SEPARATELY



LR25030
LED/DLMD2/5CCT/D/FL



LR25031
LED/DLMD2/5CCT/D/WFL



*TRIMS SOLD SEPARATELY

FRONT VIEW

APERTURE	2"
DISTRIBUTION	FIXED
APPLICATION	NEW CONSTRUCTION & REMODEL

ELECTRICAL

POWER	8W
INPUT VOLTS	120V
INPUT CURRENT	0.067A
FREQUENCY	60Hz
DIMMING TYPE	TRIAC
DIMMING RANGE	10-100%
FEED WIRE GAUGE	18AWG
BREAKER SPECIFICATION (15A @120V)	149pcs*

*Mathematically estimated value. Actual capacity may vary by breaker type and installation environment.

PHOTOMETRIC

COLOR CCT	2700K/3000K/3500K/4000K/5000K
CRI	90
LUMEN	600lm
EFFICACY	75lm/w
BEAM ANGLE	LR25030: 38°
	LR25031: 60°

CERTIFICATIONS & SAFETY

LR25030	ETL
LR25031	ETL
IP RATING	IP54
WET LOCATION	YES
IC RATED	YES
AIR TIGHT	YES
OPERATING TEMP.	-4°F to 104°F
COST/YR	\$ 0.96
WARRANTY	5 YR

MATERIAL & APPLICATION

HEAT SINK	DIE-CAST ALUMINUM
TRIM	ALUMINUM
LENS	PC ACRYLIC
CUTOUT	Ø2.83"
MOUNTING TYPE	RECESSED
AREA OF APPLICATION	RESIDENTIAL, COMMERCIAL
CEILING TYPE	DRYWALL, WOOD

DRIVER

	POWER	INPUT VOLTS	INPUT CURRENT	FREQUENCY	INPUT POWER	OUTPUT VOLTAGE	DIMENSIONS	KNOCKOUTS
INCLUDED DRIVER	8W	120V	0.067A	60Hz	8W max	36V DC	4.80"L X 2.04"W X 2.04"H	2

MODEL	DESCRIPTION	EM POWER	INPUT VOLTS	INPUT CURRENT	FREQUENCY	INPUT POWER	OUTPUT VOLTAGE	RECHARGE TIME	EMERGENCY TIME
LR35126**	LED/EMR/15W/AC/SF/E	15W	100-347V	100mA	50/60Hz	12W max	170V DC	24HR	90MINS

*AMBIENT TEMPERATURE: 41°F ~ 122°F
*SOLD SEPARATELY

DIMENSIONS

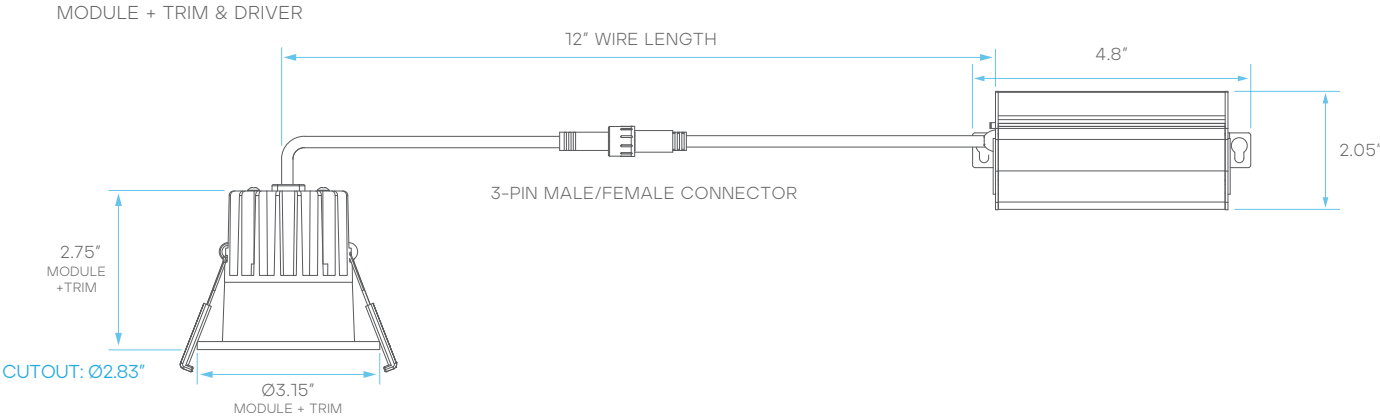
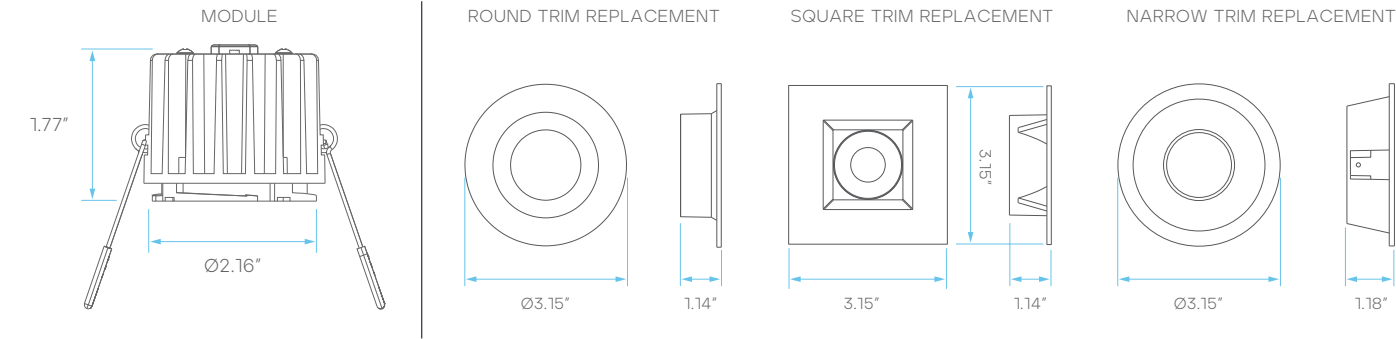
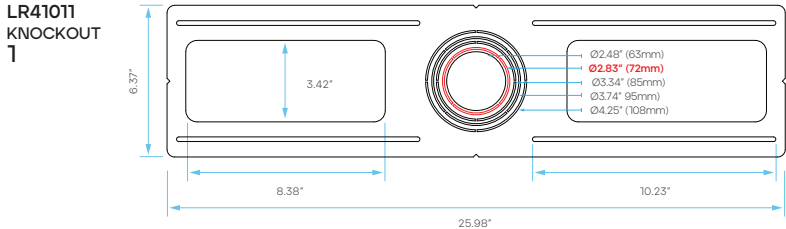
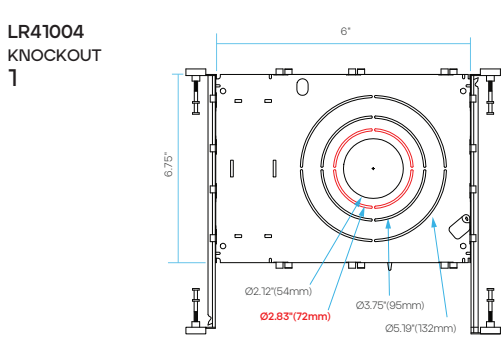
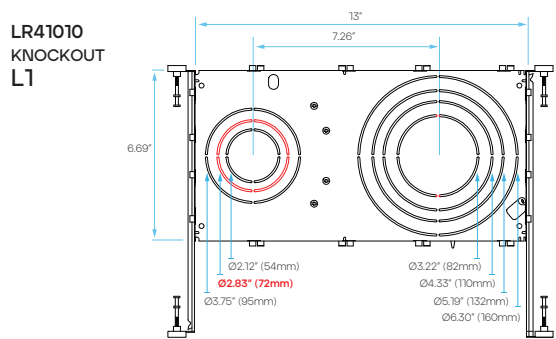


PLATE COMPATIBILITY*

*SOLD SEPARATELY



LR25020
LED/DLMD2HO/5CCT/D/FL



LR25021
LED/DLMD2HO/5CCT/D/WFL



APERTURE	2"
DISTRIBUTION	FIXED
APPLICATION	NEW CONSTRUCTION & REMODEL



*TRIMS SOLD SEPARATELY



FRONT VIEW

ELECTRICAL

POWER	15W
INPUT VOLTS	120V
INPUT CURRENT	0.125A
FREQUENCY	60Hz
DIMMING TYPE	TRIAC
DIMMING RANGE	10-100%
FEED WIRE GAUGE	18AWG
BREAKER SPECIFICATION (15A @120V)	79pcs

*Mathematically estimated value. Actual capacity may vary by breaker type and installation environment.

PHOTOMETRIC

COLOR CCT	2700K/3000K/3500K/4000K/5000K
CRI	90
LUMEN	1000lm
EFFICACY	67lm/w
BEAM ANGLE	LR25020: 30°
	LR25021: 60°

CERTIFICATIONS & SAFETY

LR25020	ETL
LR25021	ETL
IP RATING	IP-54
WET LOCATION	YES
IC RATED	YES
AIR TIGHT	YES
OPERATING TEMP.	-4°F to 104°F
COST/YR	\$ 1.80
WARRANTY	5 YR

MATERIAL & APPLICATION

HEAT SINK	DIE-CAST ALUMINUM
TRIM	ALUMINUM
LENS	PC ACRYLIC
CUTOUT	Ø2.83"
MOUNTING TYPE	RECESSED
AREA OF APPLICATION	RESIDENTIAL, COMMERCIAL
CEILING TYPE	DRYWALL, WOOD

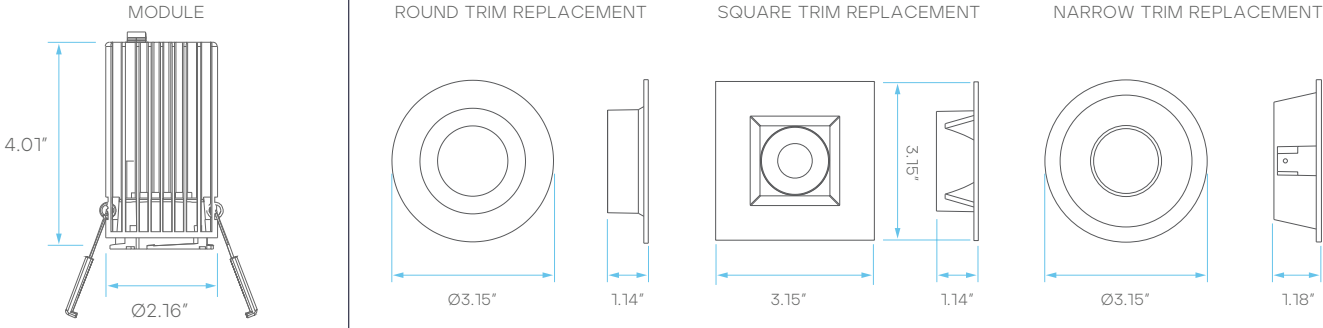
DRIVER

	POWER	INPUT VOLTS	INPUT CURRENT	FREQUENCY	INPUT POWER	OUTPUT VOLTAGE	DIMENSIONS	KNOCKOUTS
INCLUDED DRIVER	15W	120V	0.125A	60Hz	15W max	36V DC	3.85"L X 2.32"W X 1.53"H	4

MODEL	DESCRIPTION	EM POWER	INPUT VOLTS	INPUT CURRENT	FREQUENCY	INPUT POWER	OUTPUT VOLTAGE	RECHARGE TIME	EMERGENCY TIME
LR35126**	LED/EMR/15W/AC/SF/E	15W	100-347V	100mA	50/60Hz	12W max	170V DC	24HR	90MINS

*AMBIENT TEMPERATURE: 41°F ~ 122°F
*SOLD SEPARATELY

DIMENSIONS



MODULE + TRIM & DRIVER

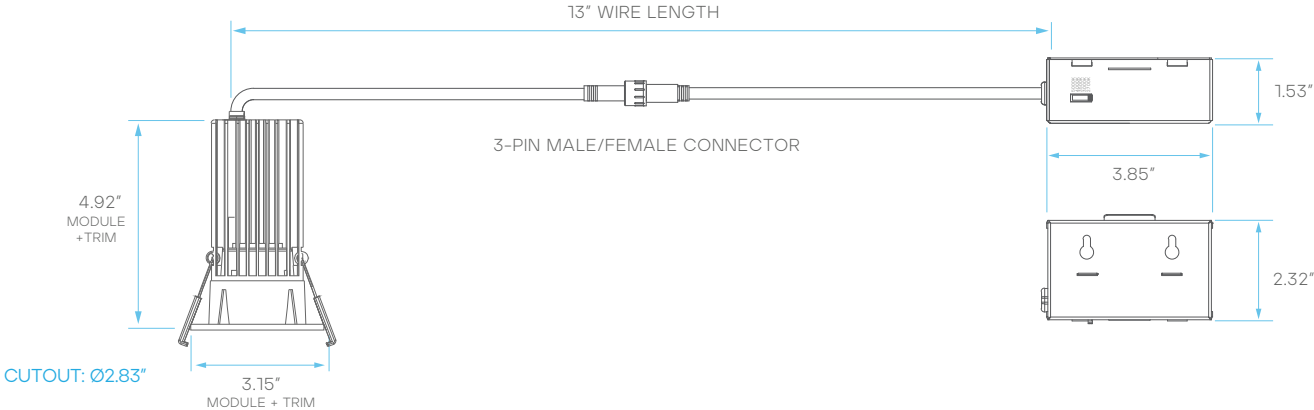
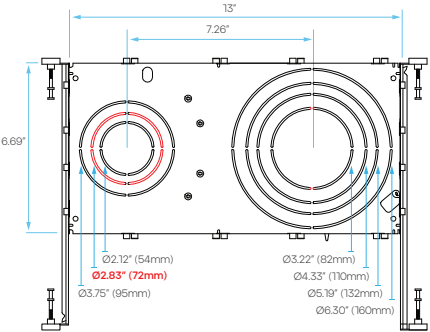


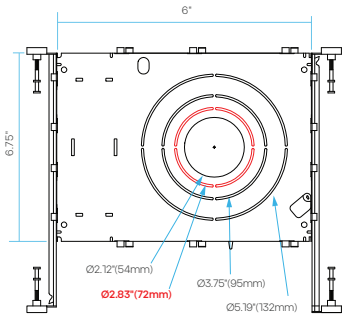
PLATE COMPATIBILITY*

*SOLD SEPARATELY

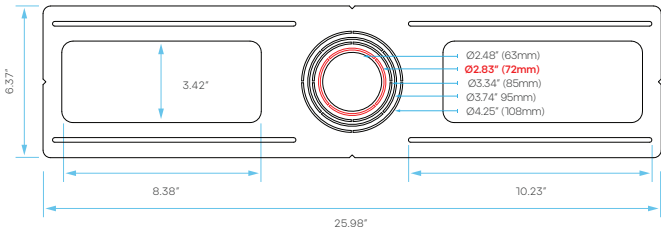
LR41010 KNOCKOUT L1



LR41004 KNOCKOUT 1



LR41011 KNOCKOUT 1



LR25034

LED/DLMD2VHO/2WO/5CCT/DD/UNV/FL



LR25035

LED/DLMD2VHO/2WO/5CCT/DD/UNV/WFL



APERTURE	2"
DISTRIBUTION	FIXED
APPLICATION	NEW CONSTRUCTION & REMODEL



*TRIMS SOLD SEPARATELY



FRONT VIEW

ELECTRICAL

POWER	14W/20W - SELECTABLE
INPUT VOLTS	120-277V
INPUT CURRENT	320mA/460mA
FREQUENCY	60Hz
DIMMING TYPE	TRIAC/0-10V
DIMMING RANGE	10-100%
FEED WIRE GAUGE	18AWG
BREAKER SPECIFICATION *(15A @120V)	59pcs @ 20W

*Mathematically estimated value. Actual capacity may vary by breaker type and installation environment.

PHOTOMETRIC

COLOR CCT	2700K/3000K/3500K/4000K/5000K
CRI	90
LUMEN	1200lm @14W
	1700lm @20W
EFFICACY	85l/w
BEAM ANGLE	LR25034: 38°
	LR25035: 60°

CERTIFICATIONS & SAFETY

LR25034	ETL
LR25035	ETL
IP RATING	IP-54
WET LOCATION	YES
IC RATED	YES @ 14W
AIR TIGHT	YES
OPERATING TEMP.	-4°F to 104°F
COST/YR	\$ 2.40
WARRANTY	5 YR

MATERIAL & APPLICATION

HEAT SINK	DIE-CAST ALUMINUM
TRIM	ALUMINUM
LENS	PC ACRYLIC
CUTOUT	Ø2.83"
MOUNTING TYPE	RECESSED
AREA OF APPLICATION	RESIDENTIAL, COMMERCIAL
CEILING TYPE	DRYWALL, WOOD

DRIVER

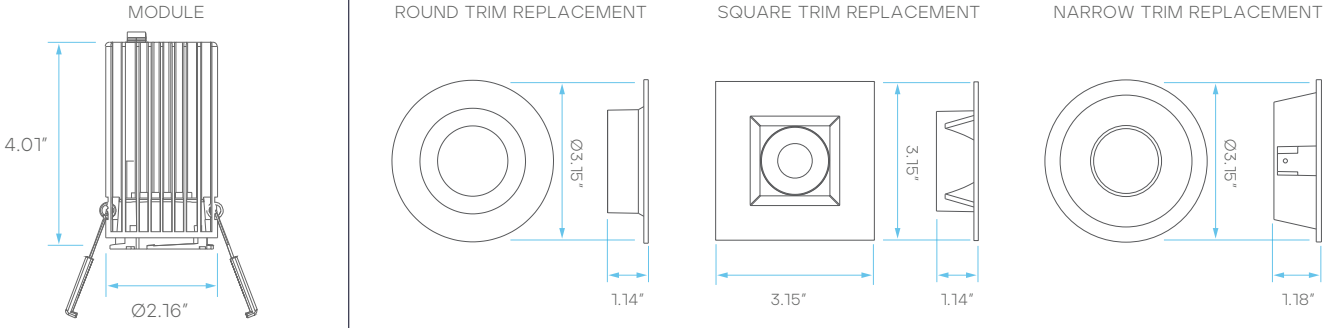
	POWER	INPUT VOLTS	INPUT CURRENT	FREQUENCY	INPUT POWER	OUTPUT VOLTAGE	DIMENSIONS	KNOCKOUTS
INCLUDED BENDABLE DRIVER	14W/20W	120-277V	320mA/460mA	60Hz	20W max	36V DC	10.35"L X 1.95"W X 1.61"H	3

MODEL	DESCRIPTION	EM POWER	INPUT VOLTS	INPUT CURRENT	FREQUENCY	INPUT POWER	OUTPUT VOLTAGE	RECHARGE TIME	EMERGENCY TIME
LR35126**	LED/EMR/15W/AC/SF/E	15W	100-347V	100mA	50/60Hz	12W max	170V DC	24HR	90MINS

*AMBIENT TEMPERATURE: 41°F ~ 122°F

**SOLD SEPARATELY

DIMENSIONS



MODULE + TRIM & DRIVER

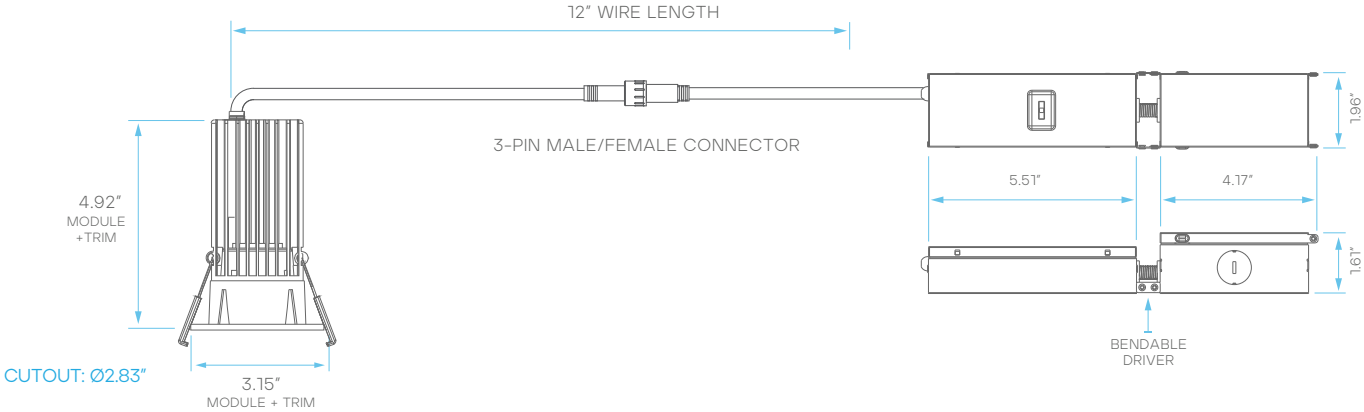
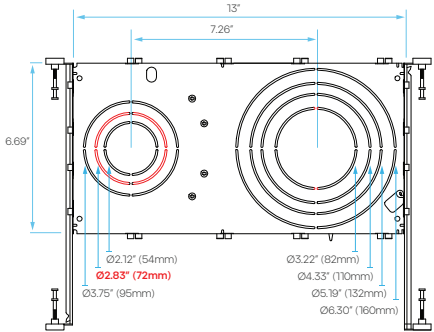


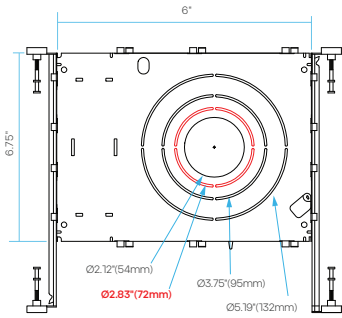
PLATE COMPATIBILITY*

*SOLD SEPARATELY

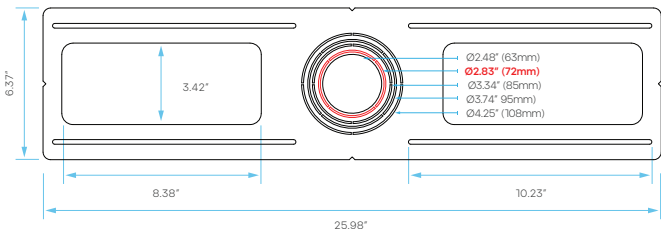
LR41010 KNOCKOUT L1



LR41004 KNOCKOUT 1












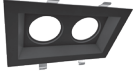


LR41011 KNOCKOUT 1



INTERCHANGEABLE TRIM OPTIONS*

*SOLD SEPARATELY

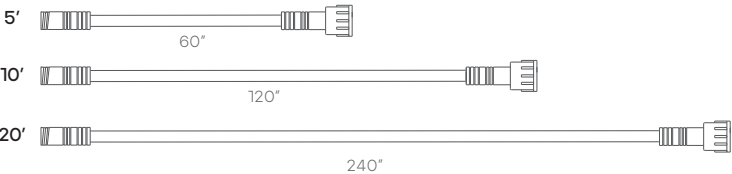
	MODEL	DESCRIPTION	SIZE	FINISH	SHAPE	APPLICATION
	LR25022	LED/DLMD2/TRIM/RD/WT	2"	WHITE	ROUND	FIXED
	LR25024	LED/DLMD2/TRIM/SQ/WT	2"	WHITE	SQUARE	FIXED
	LR25025	LED/DLMD2/TRIM/RD/BK	2"	BLACK	ROUND	FIXED
	LR25026	LED/DLMD2/TRIM/SQ/BK	2"	BLACK	SQUARE	FIXED
	LR25027	LED/DLMD2/TRIM/RD/BRS	2"	BRASS	ROUND	FIXED
	LR25028	LED/DLMD2/TRIM/SQ/BRS	2"	BRASS	SQUARE	FIXED
	LR25032	LED/DLMD2/TRIM/RD/BN	2"	BRUSHED NICKEL	ROUND	FIXED
	LR25033	LED/DLMD2/TRIM/SQ/BN	2"	BRUSHED NICKEL	SQUARE	FIXED
	LR24921	LED/DLMD2/NTRIM/RD/WT	2"	WHITE NARROW	ROUND	FIXED
	LR24922	LED/DLMD2/NTRIM/RD/BK	2"	BLACK NARROW	ROUND	FIXED
	LR23465	LED/URDL2/RPLT/2HD/WT	2"	WHITE	2-HEAD ROUND	FIXED
	LR23466	LED/URDL2/RPLT/2HD/BK	2"	BLACK	2-HEAD ROUND	FIXED

WIRE EXTENDER OPTIONS

*SOLD SEPARATELY

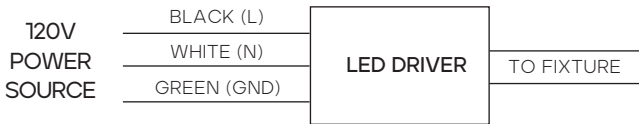


MODEL	TYPE	WIRE GAUGE
LR41051	5' - 3 PIN	22 AWG
LR41053	10' - 3 PIN	22 AWG
LR41055	20' - 3 PIN	22 AWG

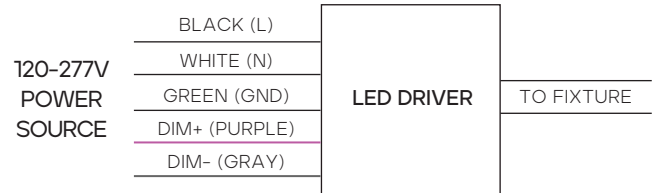


WIRING DIAGRAM

LR25020, LR25021, LR25030, LR25031
120V



LR25034, LR25035
120-277V



SUGGESTED COMPATIBLE DIMMER*

TRIAC DIMMING*

LUTRON	CTCL-153P
	DVCL-153PDH
	DVCL-153P
LEVITON	6672
	6674
PASS & SEYMOUR	HCL453PTCCCV6

0-10V DIMMING*

LUTRON	DIVA - DVTV
	DIVA - NFTV
	NOVA T - NTFTV
LEVITON	ILLUMATECH - IP7
LIGHTOLIER CONTROLS	ZP600FAM120
PHILIPS	SR1200ZTUNV

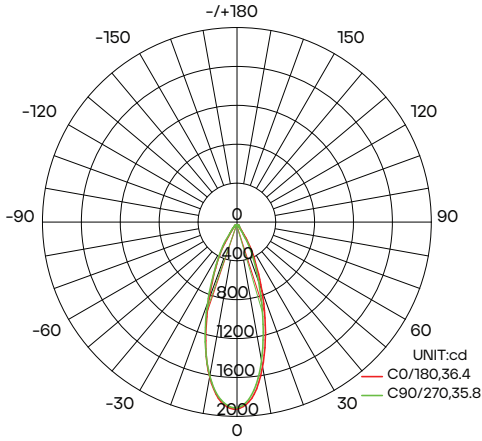
*Dimmer performance may vary based on load, wiring, and installation conditions. Inclusion on this chart does not guarantee compatibility for every installation, and omission does not indicate incompatibility. Refer to the dimmer manufacturer's installation instructions and verify minimum load requirements to avoid field issues.

PACKAGING

MODEL	STYLE	INNER BOX DIMENSIONS	MASTER CARTON DIMENSIONS	CASE
LR25020	INNER BOX + MASTER CARTON	6.49" X 5.31" X 2.36"	16.53" X 13.58" X 8.07"	18
LR25021	INNER BOX + MASTER CARTON	6.49" X 5.31" X 2.36"	16.53" X 13.58" X 8.07"	18
LR25030	INNER BOX + MASTER CARTON	5.90" X 4.92" X 2.36"	15.35" X 12.40" X 8.07"	18
LR25031	INNER BOX + MASTER CARTON	5.90" X 4.92" X 2.36"	15.35" X 12.40" X 8.07"	18
LR25034	INNER BOX + MASTER CARTON	8.26" X 5.70" X 2.36"	17.91" X 17.12" X 8.07"	18
LR25035	INNER BOX + MASTER CARTON	8.26" X 5.70" X 2.36"	17.91" X 17.12" X 8.07"	18

Luxrite® Luxiflow® tool is for informational purposes only, it is not intended to provide lighting or electrical advise.

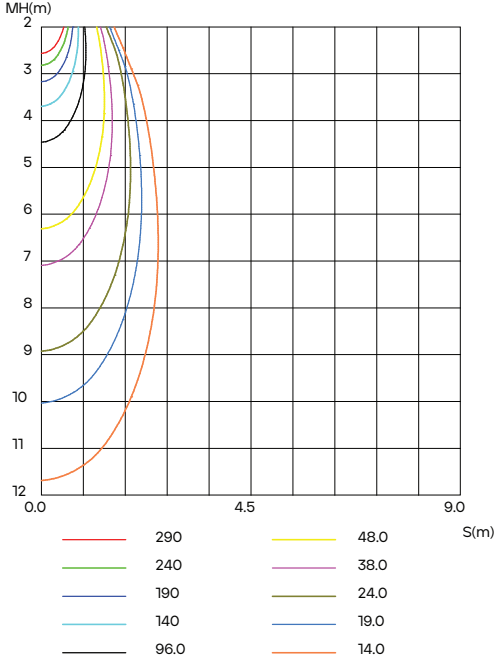
LUMINOUS INTENSITY DISTRIBUTION DIAGRAM



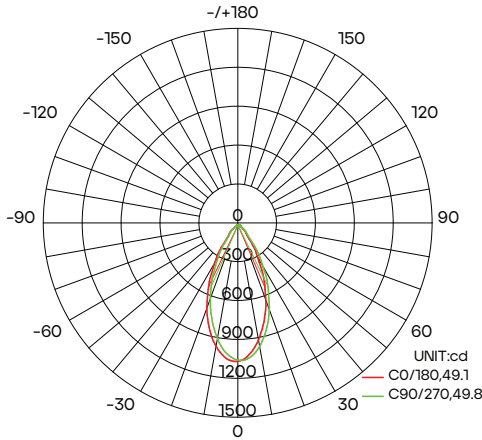
AVERAGE BEAM ANGLE(50%): 36.1 DEG

*DIAGRAM SHOWING LR25020 AT 2700K

CO PLANE ISOLUX DIAGRAM (UNIT:lx)



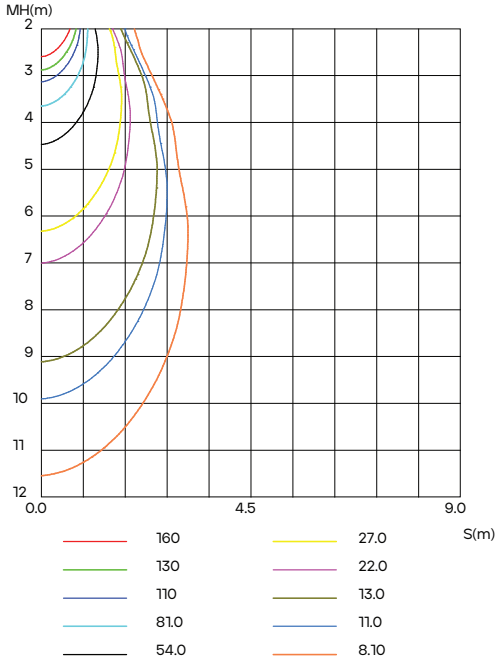
LUMINOUS INTENSITY DISTRIBUTION DIAGRAM



AVERAGE BEAM ANGLE(50%): 36.1 DEG

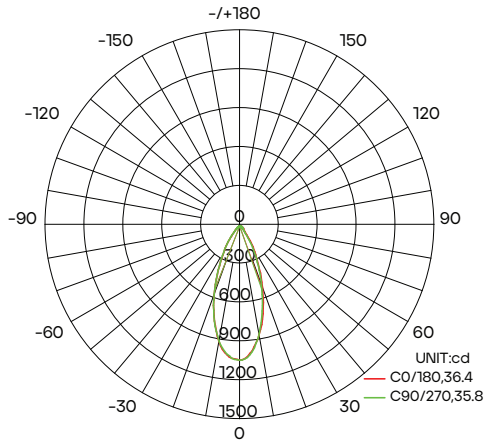
*DIAGRAM SHOWING LR25021 AT 2700K

CO PLANE ISOLUX DIAGRAM (UNIT:lx)



Luxrite® Luxiflow® tool is for informational purposes only, it is not intended to provide lighting or electrical advise.

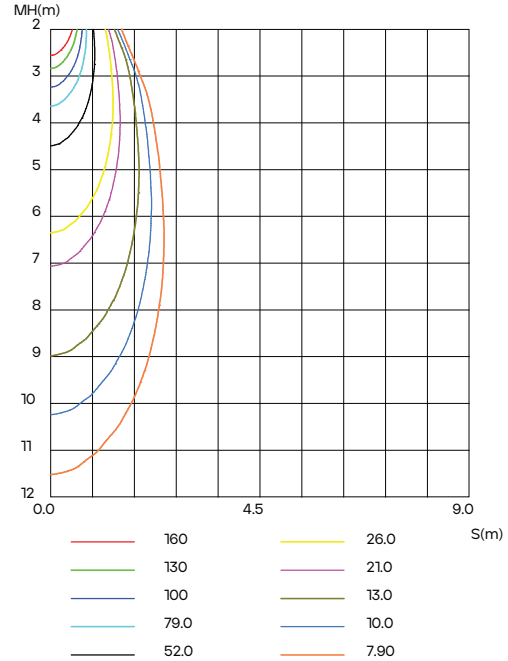
LUMINOUS INTENSITY DISTRIBUTION DIAGRAM



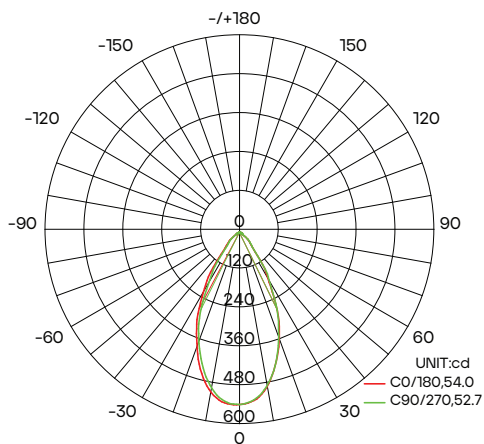
AVERAGE BEAM ANGLE(50%): 36.1 DEG

*DIAGRAM SHOWING LR25030 AT 2700K

C0 PLANE ISOLUX DIAGRAM (UNIT:lx)



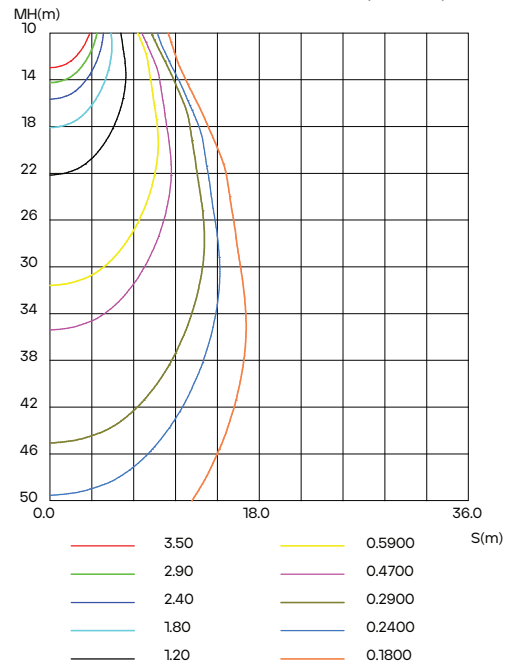
LUMINOUS INTENSITY DISTRIBUTION DIAGRAM



AVERAGE BEAM ANGLE(50%): 53.4 DEG

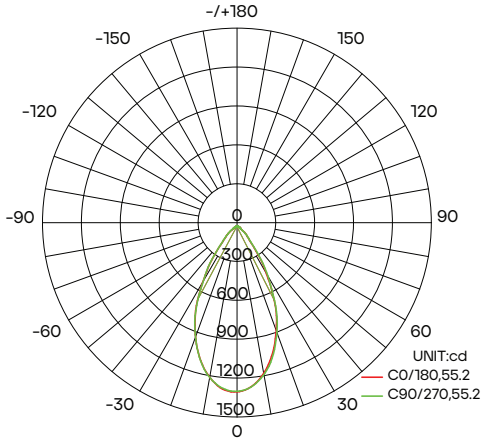
*DIAGRAM SHOWING LR25031 AT 2700K

C0 PLANE ISOLUX DIAGRAM (UNIT:lx)



Luxrite® Luxiflow® tool is for informational purposes only, it is not intended to provide lighting or electrical advise.

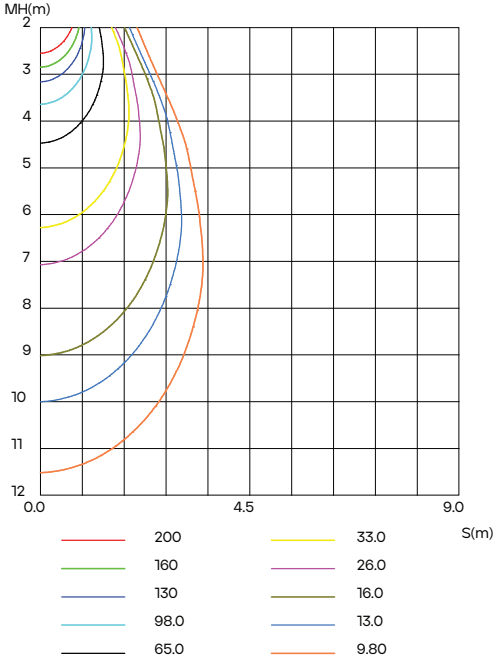
LUMINOUS INTENSITY DISTRIBUTION DIAGRAM



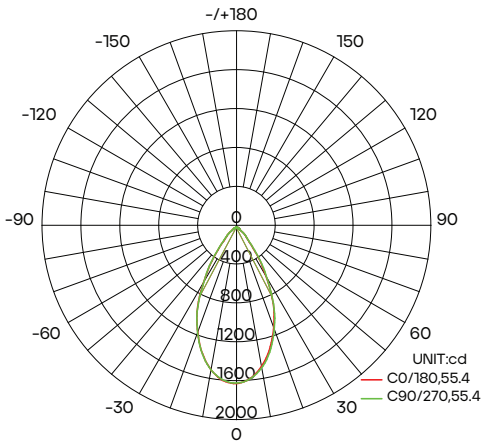
AVERAGE BEAM ANGLE(50%): 55.2 DEG

*DIAGRAM SHOWING LR25034 AT 2700K - 14W

CO PLANE ISOLUX DIAGRAM (UNIT:lx)



LUMINOUS INTENSITY DISTRIBUTION DIAGRAM



AVERAGE BEAM ANGLE(50%): 55.4 DEG

*DIAGRAM SHOWING LR25034 AT 2700K - 22W

CO PLANE ISOLUX DIAGRAM (UNIT:lx)

