

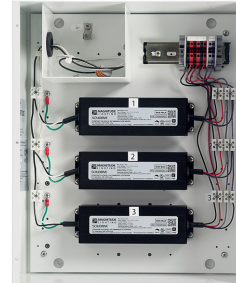
## Constant Voltage Electronic 0-10V % Non-Dimmable LED Driver | Multi-Channel

P/N: JB-

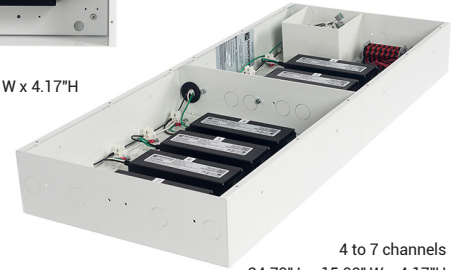
JB-SERIES contains 2-9 drivers  
and is wall or flush (recessed) mounted.

The JUNCTION BOX (JB) SERIES delivers a multi-channel, specification grade solution for select Magnitude Class 2, electronic LED drivers making it the perfect product for multi-output commercial lighting applications. Available in surface or plenum rated recessed mount, the high-quality metal junction box includes multiple 1½" knock-outs and comes pre-wired for quick and easy installation. The JB-SERIES is constructed with a high voltage compartment and utilizes DIN rail terminal blocks to support independent channel outputs.

The JB | SOLIDRIVE uses Magnitude's SOLIDRIVE electronic Class 2, 0-10V dimmable LED driver and is available in 2 to 7 channel configurations. The driver features hiccup mode, over current and short circuit protection as well as an efficiency over 84% resulting in low operating case temperature. The SOLIDRIVE SERIES is dimmable down to 1% with a 0-10V dimmer and is also available in a non-dimmable version.



2 to 3 channel  
17.83" L x 15.00" W x 4.17"H



4 to 7 channels  
34.70" L x 15.00" W x 4.17"H

**Installation:** Integrated Junction Box with Multiple 1½" Knock-Outs

**Driver Type:** Class 2 Multi-Channel

**Dimming:** 0-10V Dimmable Down to 1%; Non-Dimmable Available

**Input Voltage:** Universal 120VAC to 277VAC, 50/60Hz

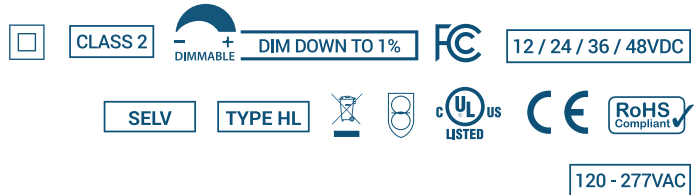
**Output Voltage:** 12VDC, 24VDC, 36VDC, or 48VDC

**Environmental:** Dry

**Listing:** UL Listed

**Certifications:** UL8750, UL2108 CSA C22.2 No. 250.0-08

**Warranty:** 5-Year Warranty



**SOLIDRIVE is also available in:**

- SOLIDRIVE UL WITH JUNCTION BOXES
- SOLIDRIVE UL WITHOUT JUNCTION BOXES
- EZJ SOLIDRIVE

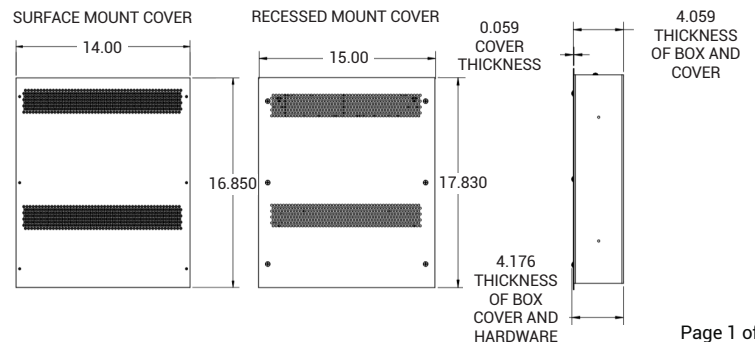
Refer to [Magnitudeinc.com](http://Magnitudeinc.com) for more details.

### Ordering Guide Example: JB-3-CVN50R12DC-RW

JB - - CV R DC -

TYPE	NUMBER OF CHANNELS	DRIVER SERIES	DIMMING	MAX POWER PER CHANNEL	DRIVER TYPE	OUTPUT	MOUNTING	FINISH
JB - JB-SERIES	2 - 2 channel	CV - SOLIDRIVE	N - Non-Dimmable	50 - 50W	R - UL Listed	12 - 12VDC	R - Recessed	W - White
	3 - 3 channel			96 - 96W		24 - 24VDC		
	4 - 4 channel			36 - 36VDC				
	5 - 5 channel			48 - 48VDC				
	6 - 6 channel							
	7 - 7 channel							

	Up to 4 Channels	Up to 7 Channels
LENGTH	Surface Mount 16.85" (427.99mm)	Surface Mount 33.70" (855.98mm)
	Recessed Mount 17.830" (453.0mm)	Recessed Mount 34.70" (881.0mm)
WIDTH	Surface Mount 14.00" (355.6mm)	Surface Mount 14.00" (355.6mm)
	Recessed Mount 15.00" (381.0mm)	Recessed Mount 15.00" (381.0mm)
DEPTH	Surface Mount 4.17" (106.0mm)	Surface Mount 4.17" (106.0mm)
	Recessed Mount 4.17" (106.0mm)	Recessed Mount 4.17" (106.0mm)

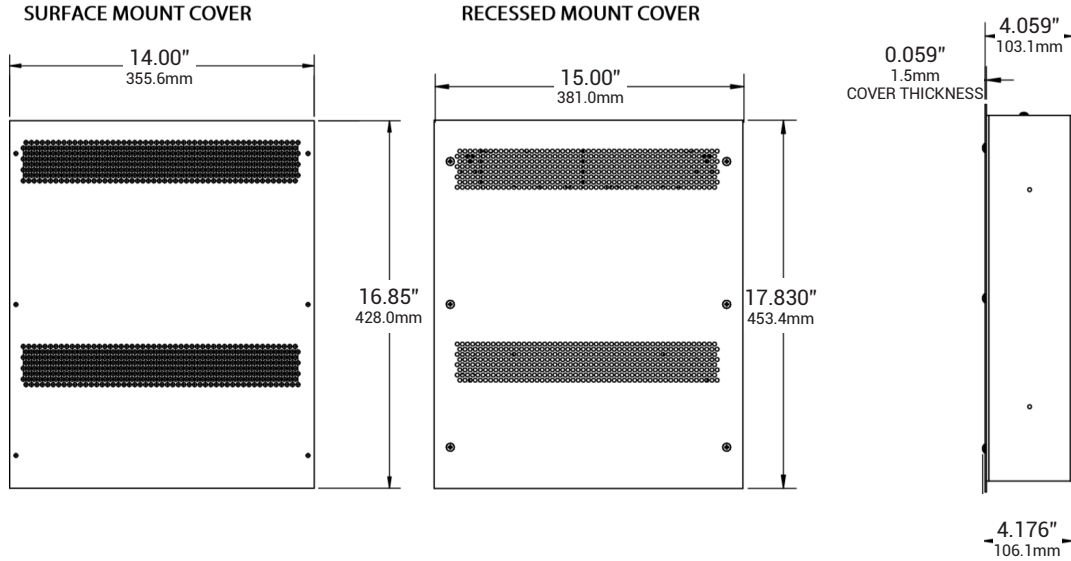


## Specifications

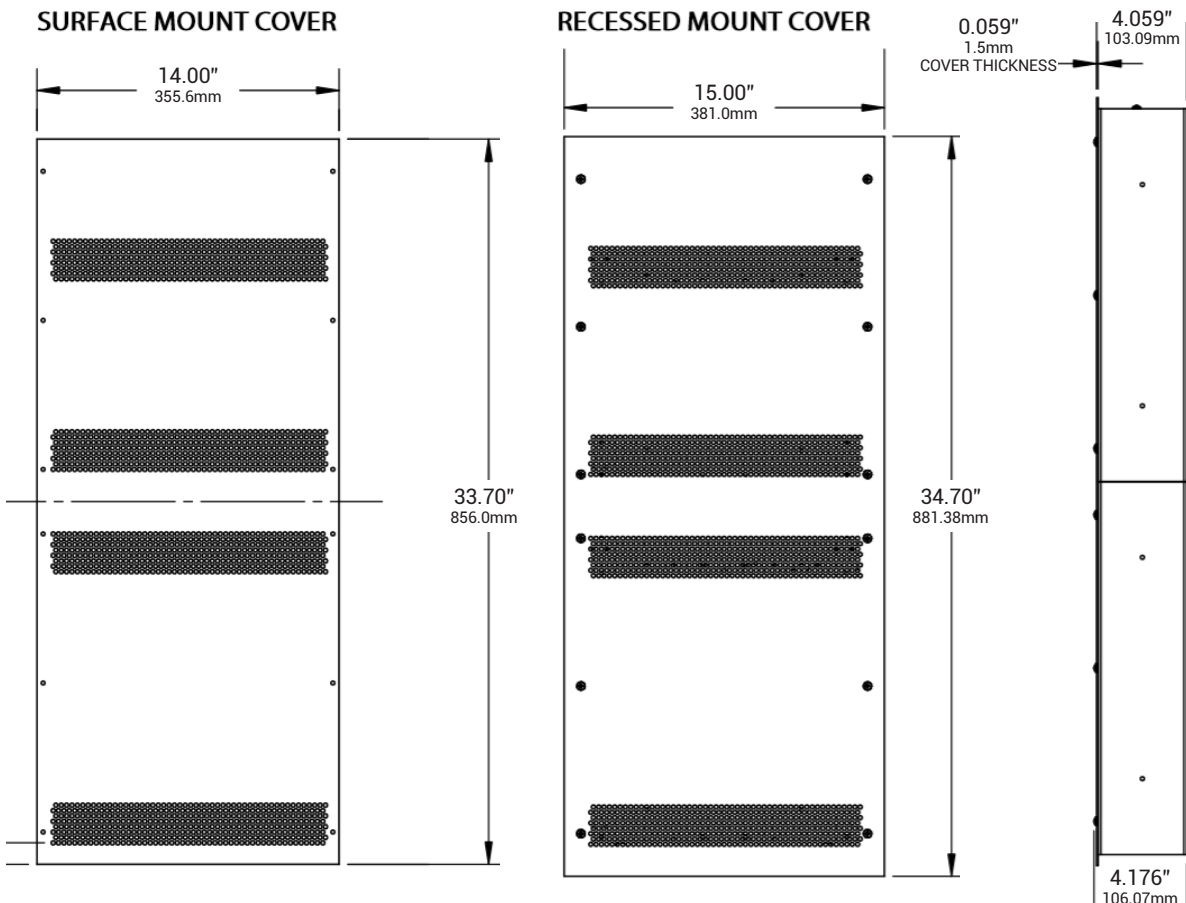
INPUT				
<b>Input Voltage Range</b>	120 to 277VAC ± 10%			
<b>Input Frequency</b>	50 / 60Hz	50 / 60Hz	50 / 60Hz	50 / 60Hz
<b>Input Current</b>	0.96A Max Per Channel	0.96A Max Per Channel	0.96A Max Per Channel	0.96A Max Per Channel
<b>Efficiency</b>	>80%	>84%	>84%	>84%
<b>Power Factor</b>	0.95	0.91	0.95	0.95
OUTPUT (PER CHANNEL)				
<b>Max Load</b>	50W	96W	96W	96W
<b>Output Voltage @ Max Load</b>	12.0 VDC	24.0 VDC	36.0 VDC	48.0 VDC
<b>Output Current @ Max Load</b>	4.2A	4.1A	2.7A	2.0A
ENVIRONMENTAL				
<b>Operating Temperature</b>	-30°C - +50°C (-22°F - 122°F)			
DIMMING				
<b>Minimum Dimming Level</b>	1%	1%	1%	1%
PROTECTION				
<b>Circuit Breaker</b>	Hiccup Mode, Over Current, Short Circuit			
APPROVAL MARKINGS				
<b>Certificates / Approval Signs</b>	UL8750 / UL2108	UL8750 / UL2108	UL8750 / UL2108	UL8750 / UL2108

### Mechanical Diagram

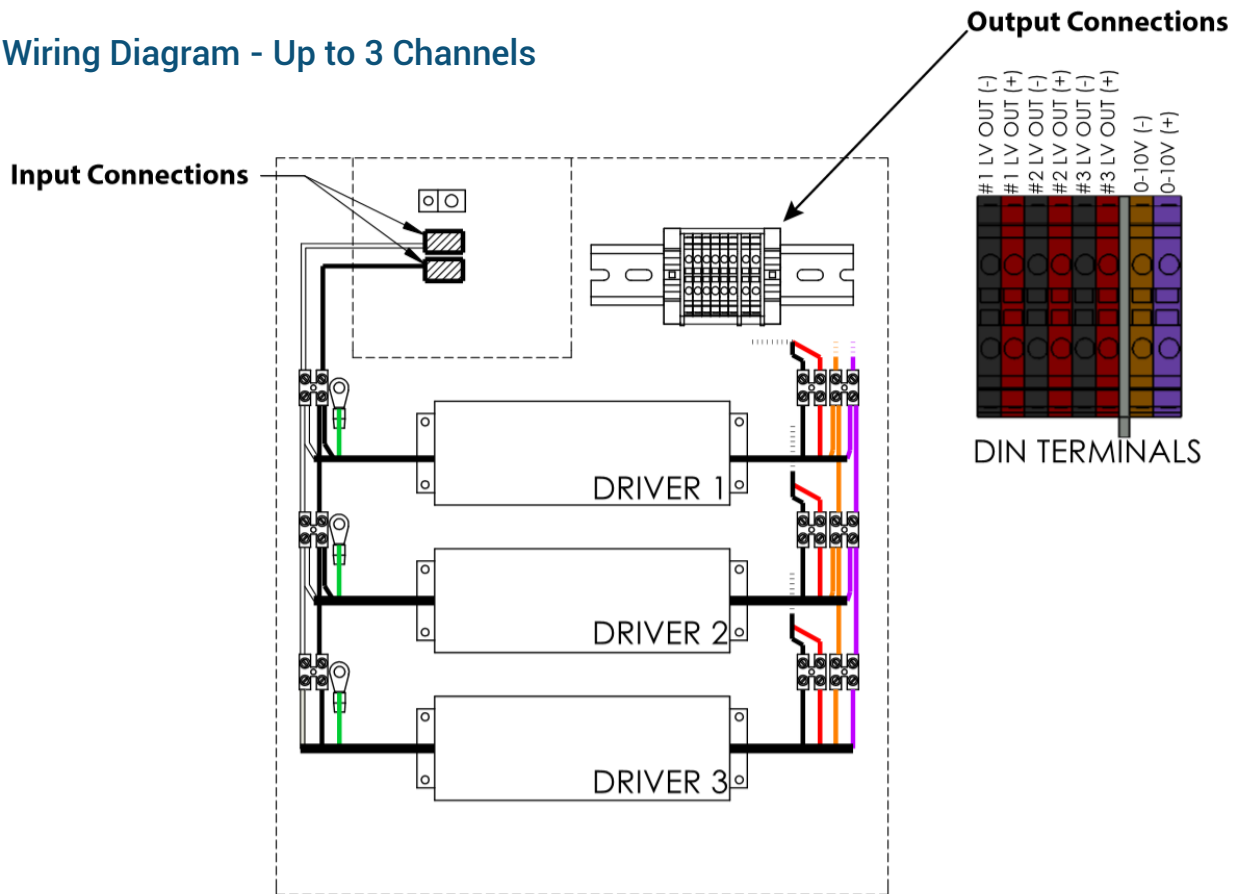
#### Up to 3 Channels



#### 4 to 7 Channels

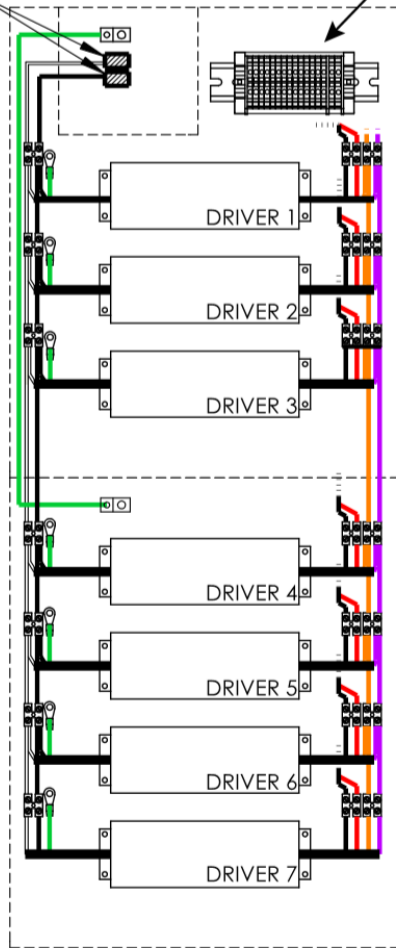


### Wiring Diagram - Up to 3 Channels

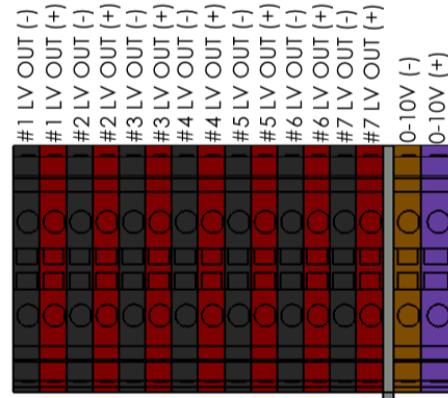


### Wiring Diagram - Up to 7 Channels

Input Connections



Output Connections



DIN TERMINALS