

LED OUTDOOR

FULL CUTOFF LED WALLPACK
3 OPTIC/3 CCT & 3 WATTAGE SELECTABLE
60W - SENSOR READY

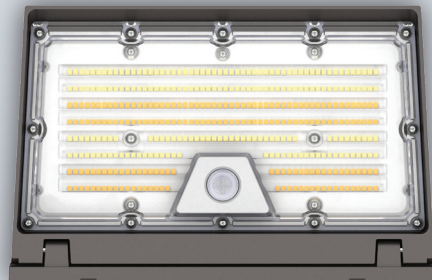


LR40585

30W | 45W | 60W



3 OPTIC SELECTABLE



BEAM SPREAD
100*97°

CRI
80

COLOR SELECTABLE

3000K | 4000K | 5000K

WATTAGE
SELECTABLE

3 OPTIONS

3
OPTIC
SELECTABLE

PHOTOCELL
SENSOR

6KV
SURGE
PROTECTOR

DIMMABLE
0-10V

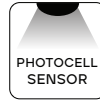
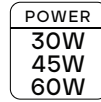
120-
277V

WET
LOCATION
RATED
IP-65

5
YEAR
WARRANTY

ITEM No.
LR40585

DESCRIPTION
LEDFWP60/3WO/3CCT/3OS/B/D/PC



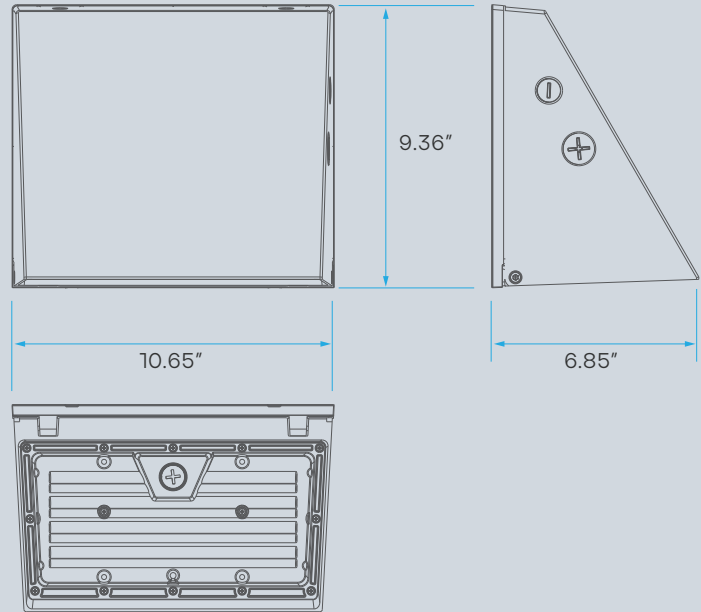
S-0P95CY



60W

30W | 45W | 60W

3 OPTIC SELECTABLE



INPUT POWER	TII OPTIC						TIII OPTIC						TIV OPTIC					
	3000K		4000K		5000K		3000K		4000K		5000K		3000K		4000K		5000K	
	EFFICACY	LUMEN	EFFICACY	LUMEN	EFFICACY	LUMEN	EFFICACY	LUMEN	EFFICACY	LUMEN	EFFICACY	LUMEN	EFFICACY	LUMEN	EFFICACY	LUMEN	EFFICACY	LUMEN
30	135	4,050	156	4,860	146	4,380	148	4,440	162	4,860	159	4,770	132	3,960	148	4,440	143	4,290
45	132	5,940	153	6,885	143	6,435	145	6,525	159	7,155	156	7,020	129	5,805	145	6,525	140	6,300
60	129	7,740	150	9,000	140	8,400	142	8,520	156	9,360	153	9,180	126	7,560	142	8,520	137	8,220
PHOTOMETRIC	CRI						>80											
	COLOR CONSISTENCY						<7 SDCM											
	BUG						B2-U0-G1											
	DISTRIBUTION PATTERN						T2/T3/T4 (BEAM ANGLE SWITCHABLE)											
	BEAM ANGLE (50%) (TOLERANCE: ±10%)						H100°V97 DEGREE @ TYPE III											
ELECTRICAL	INPUT VOLTAGE						120-277VAC											
	FREQUENCY						50/60Hz											
	POWER FACTOR (TOLERANCE: -3%)						>0.9											
	THD (TOLERANCE: +5%)						<20%											
	SURGE PROTECTION						L/N-PE: 6kV, L-N: 6kV											
	DIMMING						0-10V											
	IP RATING						IP-65											
MATERIALS	CHIP						SMD2835											
	HOUSING						DIE CAST ALUMINUM											
	FINISH						BRONZE											
TEMPERATURE	OPERATING TEMPERATURE						-40°F TO 122°F											
	OPERATING HUMIDITY						5% - 95% RH											

COMPATIBILITY

*SOLD SEPARATELY



3-PIN
SMART SENSOR
LR41511

LEDSNS/UFO/MW/BiLevel/SMRT/3XP



MICROWAVE BI-LEVEL
1P SENSOR
LR41510

LEDSNS/UFO/MW/BiLevel/3XP



MS REMOTE
CONTROLLER
LR41512
LEDUFO/REMOTE

COMPATIBLE EMERGENCY LED DRIVER & BATTERY PACK

*SOLD SEPARATELY



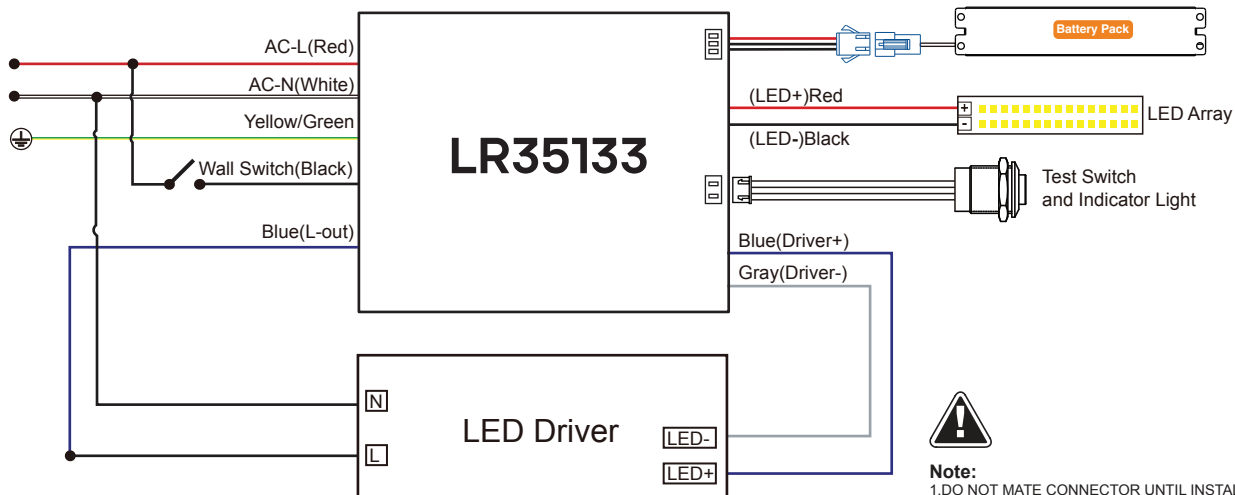
LR35133 - SPECIFICATIONS

MODEL	DESCRIPTION	EM POWER	INPUT VOLTS	FREQUENCY	INPUT CURRENT	INPUT POWER	OUTPUT VOLTAGE	RECHARGE TIME	EMERGENCY TIME
LR35133	LED/EMR/8W/DC/HV	8	100-347V	50/60Hz	<100mA	7W	60-300VDC	24Hr	90min

AMBIENT TEMPERATURE: 41°F ~ 140°F

WIRING DIAGRAM

! WARNING: DISCONNECT POWER BEFORE INSTALLING OR SERVICING



Note:

1. DO NOT MATE CONNECTOR UNTIL INSTALLATION IS COMPLETE AND AC POWER IS SUPPLIED.
2. TEST ACCESSORY LEADS-OBSERVE PROPER POLARITY WIRING.
3. DURING EMERGENCY MODE, PRESS TEST SWITCH TWICE TO CUT OFF THE EMERGENCY OUTPUT FOR STORAGE AND SHIPMENT.