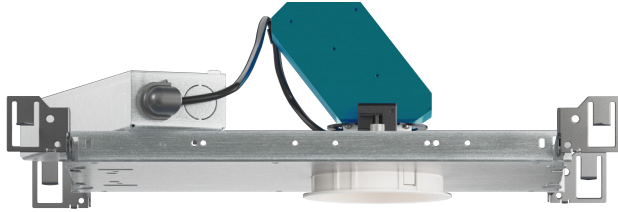


PROJECT INFORMATION		
JOB NAME		TYPE
ORDERING CODE		

NU3

3" Round Downlight Standard White



20° - 105° BEAM (Note: Specifications are subject to change without notice)		
9mm COB PERFORMANCE DATA		
LED LIGHT ENGINE	NOMINAL DELIVERED LUMENS	SYSTEM WATTAGE
10LM	1010LM @30K/90CRI	9W
15LM	1580LM @30K/90CRI	14W
20LM	2100LM @30K/90CRI	19W
25LM	2570LM @30K/90CRI	25W
30LM	3120LM @30K/90CRI	33W
Notes	Delivered lumens based on 20° optic with no lens, (see page 2)	

15° BEAM (Note: Specifications are subject to change without notice)		
6mm COB PERFORMANCE DATA		
LED LIGHT ENGINE	NOMINAL DELIVERED LUMENS	SYSTEM WATTAGE
10LM	1010LM @30K/90CRI	10W
15LM	1550LM @30K/90CRI	17W
Notes	Delivered lumens based on 15° optic with no lens, (see page 2)	

FEATURES

- 3/4" bezel regress with 1/16" micro flange
- UGR <17
- Up to 100 + LPW
- Glare control, specialty optics, trim options, and custom finishes available
- Microban® antimicrobial finish available on all exposed painted surfaces

DIMMING AND CONTROLS

- eldoLED 0-10V, 0.1% and 1%
- BAA - BABA compliant, flicker free 0-10V dim to 1%
- eldoLED DALI, dim to 0.1% and 1%
- DMX-512/RDM dim to 0%
- Lutron Hi-Lume Ecosystem, dim to 1% and 0.1%
- Leading & trailing edge (Triac/ELV), dim to 1%
- Night control interface dim to 0%
- Wireless control options, dim to 1% (Ref. page 13)

CONSTRUCTION

- Lexan™ (PC) highly resistant to impact and heat (240°F)
- Optimal material for wireless signal connectivity
- Shatter proof acrylic bezel lens
- Electrocoated 16-gauge cold-rolled steel construction
- Accommodates ceiling thickness from 1/8" to 1-3/8"

LED

- 90 CRI: SDCM = 2-step MacAdam Ellipse, Lumen Maintenance: L₇₀ > 66,000 hrs

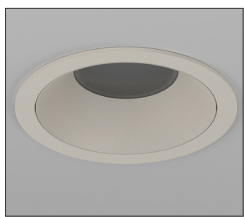
LISTING

- ULus Listed to UL1598 & UL2108; cUL Listed to CSA C22.2 #250.0
- IP65 with lens - Suitable for wet locations with lens - Suitable for damp locations without lens
- Non-conductive, dead-front construction (shower approved)
- NSF/ANSI-2 with lens (Non-Food and Splash Zones)
- **Declare.** - LBC Red List Approved
- 5 Year Limited warranty

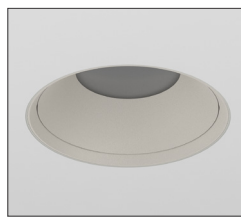
ELECTRICAL

- 120V-277V, 120 only Triac / ELV
- Power factor ≥ 0.9
- 2kV driver input surge protection
- Remote emergency test switch
- 7W, 10W (T20 CEC) and 12W EM 90min battery
- Max. ambient installation temperature 95°F (35°C)

TRIM OPTIONS



Trimmed

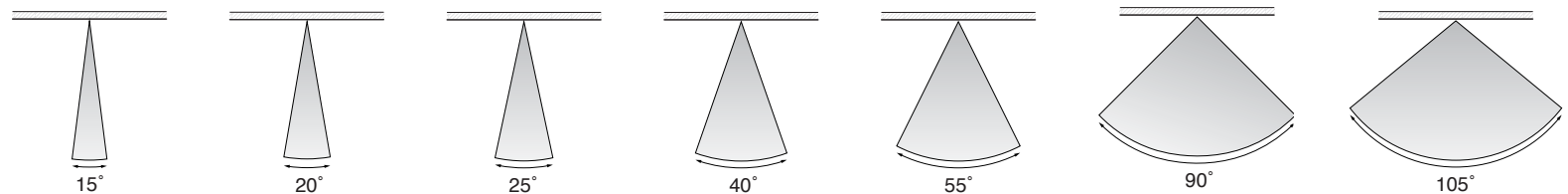


Trimless



Trimless Millwork

BEAM SPREADS



PROJECT INFORMATION		
JOB NAME		TYPE
ORDERING CODE		

ORDERING CODE																	
SERIES	NU3	NU3															
TYPE	RD	round downlight															
	RDT	round downlight trimless															
	RDTMW	round downlight trimless millwork															
LED	SW	standard white															
DELIVERED LUMENS	10LM	1009 lm															
	15LM	1576 lm															
	20LM	2103 lm															
	25LM	2571 lm															
	30LM	3124 lm															
Standard Configuration: 3000K 90CRI NL Calculated Delivered Lumens = [Delivered Lumen Value] x [CCT Multiplier] x [Optic Multiplier] x [Lens Multiplier]																	
CCT	27K	2700K															
	30K	3000K															
	35K	3500K															
	40K	4000K															
<table border="1"> <thead> <tr> <th>CCT</th> <th>2700K</th> <th>3000K</th> <th>3500K</th> <th>4000K</th> </tr> </thead> <tbody> <tr> <td>CRI</td> <td>90+</td> <td>90+</td> <td>90+</td> <td>90+</td> </tr> <tr> <td>CCT MULTIPLIER FOR LUMEN OUTPUT</td> <td>0.96</td> <td>1</td> <td>1.02</td> <td>1.02</td> </tr> </tbody> </table>			CCT	2700K	3000K	3500K	4000K	CRI	90+	90+	90+	90+	CCT MULTIPLIER FOR LUMEN OUTPUT	0.96	1	1.02	1.02
CCT	2700K	3000K	3500K	4000K													
CRI	90+	90+	90+	90+													
CCT MULTIPLIER FOR LUMEN OUTPUT	0.96	1	1.02	1.02													
CRI	90	90 CRI															
OPTIC & LM MULTIPLIER	15D¹	15 degrees (0.98)															
	20D	20 degrees (1.00)															
	25D	25 degrees (0.99)															
	40D	40 degrees (0.99)															
	55D	55 degrees (0.97)															
ACCESSORY	HCL²	honeycomb louver (0.95) Attached to bezel															
BEZEL LENS	NL³	no lens (1.00)															
	CL	clear lens (0.97)															
	DL	diffused lens (0.85)															
	E	elliptical beam spread (0.96)															
	HET	high efficiency textured lens, similar to Solite™ (0.96)															
	SBL	smoothing beam lens (0.96)															
	WDL	wide diffused lens* (0.90)															
*Wide diffusing lens achieves beams ≥ 90° Ref. page 3																	
TRIM COLOR	BK	black															
	WH	white															
	MC	matte chrome															
	BZ	bronze															
	CC⁴	custom color, consult factory for details															
Antimicrobial finish, add AM to black, white or matte chrome i.e. BKAM. Not applicable to trimless option. Do not include in trimless ordering code.																	
BEZEL COLOR	BK	black (0.98)															
	WH	white (1.00)															
	MC	matte chrome (0.99)															
	BZ	bronze (0.98)															
	CC⁴	custom color, consult factory for details															
Antimicrobial finish, add AM to black, white or matte chrome i.e. BKAM.																	

ORDERING CODE		
MOUNTING OPTIONS	Ref. compatibility table below for available configurations	
	NC	new construction plate
	NC-F	new construction plate, fixed driver
	IC⁵	insulation contact housing
	ICAT⁵	insulation contact/airtight housing
	CP⁵	chicago plenum housing
VOLTAGE	RET	retrofit, no ceiling plate
	120	120V
	UNV	120V-277V
	LVL⁶	low voltage luminaire
DIMMING	DIM10	eldoLED flicker free 0-10V dim to 1%
	BDIM10⁷	BAA - BABA compliant, flicker free 0-10V dim to 1%
	DIM10Z	eldoLED flicker free 0-10V dim 0.1%
	DALI	eldoLED flicker free DALI-2 dim to 1%
	DALIZ	eldoLED flicker free DALI-2 dim to 0.1%
	LUTP⁸	Lutron Hi-Lume Eco (fade) dim to 0.1%
	ELVI⁹	leading edge & trailing edge (Triac/ELV) dim to 1%
	DMX-RJ45	DMX control dimming to 0.1% with RJ45 connection
	DMX-WL	DMX-512/RDM dim to 0% with lead wire input
	DMX-XLR	DMX-512/RDM dim to 0% with XLR input
	NLT	nLight control interface: Cat-5/RJ45, dim to off
	ND	no driver included
	ELECTRICAL OPTIONS	WIRELESS (ref. page 13 for available options)
EM7		remote emergency battery, 90 min at 7W
EM12		remote emergency battery, 90 min at 12W
EM10CA20		remote emergency battery, 90 min at 10W

YOUR COMPLETED ORDERING CODE
Follow the steps to specify your fixture, example:
NU3 - RD - SW - 20LM - 30K - 90 - 20D - NL - WH - WH - NC - UNV - DIM10 - EM7

COMPATIBILITY - MOUNTING / ACCESSIBILITY / DIMMING						
DIMMING	NC-F	NC	IC	ICAT	CP	RET
	FIXED	FLOATING				
DIM10	✓	✓	✓	✓	✓	✓
BDIM10	✓	✓	✓	✓	✓	✓
DIM10Z	✓	✓	✓	✓	✓	✓
DALI	✓	✓	✓	✓	✓	✓
DALIZ	✓	✓	✓	✓	✓	✓
LUTP	✓	✓	✓	✓	✓	✓
ELVI	✓	✓	✓	✓	✓	✓
DMX	✓					
NLT	✓					
ND	REMOTE POWER SUPPLY					
Fixed driver - above ceiling access required (grid / T-Bar ceiling)						
Floating driver - below ceiling accessible (gypsum / hard lid ceiling)						

NOTES

- 15D available in 10LM/15LM.
 - HCL not available with lens.
 - NL option does not meet requirement for AT/DF/WET/NSF listings.
 - Custom set up fee plus minimum quantity required per color.
 - IC/ICAT/CP not available in 30LM.
 - Must select ND dimming code. For remote driver or POE (by other) Ref page 12
 - BDIM10 not available in 25LM
 - LUTP not available in 25LM/30LM.
 - ELVI available in 120V.
- ** EldoLED and DMX uses logarithmic dimming curve as standard. For linear dimming curve, add "LIN" after dimming code, i.e. DIM10LIN.

PROJECT INFORMATION		
JOB NAME		TYPE
ORDERING CODE		

OPTICAL OPTIONS

- Corrected UGR values generated per CIE 190-2010 at the following reference condition:
Room dimensions: X = 4H, Y = 8H
Reflectances: 70/50/20
- UGR calculation based on 15LM fixtures, unless otherwise noted.

REFLECTOR OPTIC ACCESSORY Honeycomb Louver



OPTIC	BEAM ANGLE	UGR
15D	12	<10
20D	16	<10
25D	20	<10
40D	32	<10
55D	44	<10

NL

No Lens



OPTIC	BEAM ANGLE	UGR
15D	15	<10
20D	21	<10
25D	24	<10
40D	39	<10
55D	55	<10

CL

Clear Lens



OPTIC	BEAM ANGLE	UGR
15D	14.4	<10
20D	22	<10
25D	25	<10
40D	39	<10
55D	56	<10

DL

Diffused Lens



OPTIC	BEAM ANGLE	UGR
20D	40	16.2
25D	45	16.3
40D	52	17.2
55D	59	18.4

HET

High Efficiency Textured Lens



OPTIC	BEAM ANGLE	UGR
15D	20	11.8
20D	24	13.3
25D	27	14.9
40D	39	14.5
55D	50	14.6

WDL

Wide Diffused Lens



OPTIC	BEAM ANGLE	UGR
20D	92	23.1
25D	94	23.4
40D	98	24.6
55D	104	25.9

EA

Elliptical Lens



OPTIC	BEAM ANGLE	UGR
20D	36X62	11X19
25D	39X64	13X21
40D	49X75	17X24
55D	54X79	17X25

SBL

Smoothing Beam Lens



OPTIC	BEAM ANGLE	UGR
15D	16	<10
20D	22	13.1
25D	27	14.9
40D	40	14.1
55D	56	14.2

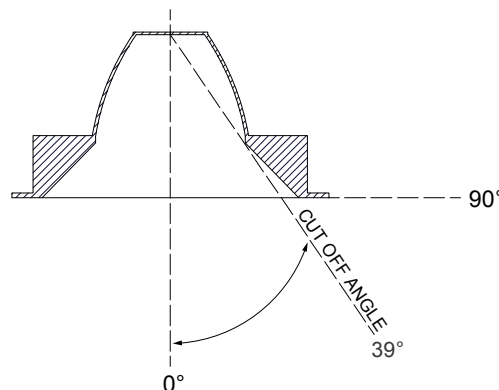
GLARE CONTROL

CUT-OFF ANGLE

Visual comfort is achieved with a lower cut-off angle due to improved glare control. The smaller the cut-off angle, the easier it is on the eye.

Alphabet downlights have been thoughtfully engineered to eliminate glare while still delivering functional illumination.

- Cutoff angle is 39° degrees;



PROJECT INFORMATION		
JOB NAME		TYPE
ORDERING CODE		

PHOTOMETRIC DATA

15LM CCT MULTIPLIERS	
	90CRI
2700K	0.96
3000K	1
3500K	1.01
4000K	1.02
FC Formula = CBCP / Distance	

20D 21° NO LENS	
Throw Distance (ft)	Beam Diameter (ft)
6	2.2
8	3
10	3.7
12	4.4
14	5.2
Illuminance at Center (fc)	
194	
109	
70	
48	
36	
WATTS: 13.7	LPW: 114.5
LUMENS: 1569	CCT: 3000K
INTENSITY	
DEGREE	CANDELA
0	6975
5	5996
15	1767
25	633
35	380
45	19

25D 25° NO LENS	
Throw Distance (ft)	Beam Diameter (ft)
6	2.6
8	3.4
10	4.3
12	5.2
14	6
Illuminance at Center (fc)	
143	
80	
52	
36	
26	
WATTS: 13.7	LPW: 115
LUMENS: 1576	CCT: 3000K
INTENSITY	
DEGREE	CANDELA
0	5151
5	4512
15	1893
25	824
35	381
45	15

40D 39° NO LENS	
Throw Distance (ft)	Beam Diameter (ft)
6	4.2
8	5.6
10	7
12	8.4
14	9.8
Illuminance at Center (fc)	
81	
46	
29	
20	
15	
WATTS: 13.7	LPW: 113.9
LUMENS: 1561	CCT: 3000K
INTENSITY	
DEGREE	CANDELA
0	2918
5	2827
15	1940
25	987
35	437
45	22

55D 55° NO LENS	
Throw Distance (ft)	Beam Diameter (ft)
6	6.2
8	8.2
10	10.3
12	12.3
14	14.4
Illuminance at Center (fc)	
58	
33	
21	
15	
11	
WATTS: 13.7	LPW: 112.6
LUMENS: 1543	CCT: 3000K
INTENSITY	
DEGREE	CANDELA
0	2097
5	2060
15	1778
25	1194
35	438
45	24

30LM CCT MULTIPLIERS	
	90CRI
2700K	0.96
3000K	1
3500K	1.01
4000K	1.02
FC Formula = CBCP / Distance	

20D 21° NO LENS	
Throw Distance (ft)	Beam Diameter (ft)
6	2.2
8	3
10	3.7
12	4.4
14	5.2
Illuminance at Center (fc)	
384	
216	
138	
96	
71	
WATTS: 32.8	LPW: 94.8
LUMENS: 3110	CCT: 3000K
INTENSITY	
DEGREE	CANDELA
0	13826
5	11885
15	3503
25	1256
35	754
45	38

25D 25° NO LENS	
Throw Distance (ft)	Beam Diameter (ft)
6	2.6
8	3.4
10	4.3
12	5.2
14	6
Illuminance at Center (fc)	
284	
160	
102	
71	
52	
WATTS: 32.8	LPW: 95.2
LUMENS: 3124	CCT: 3000K
INTENSITY	
DEGREE	CANDELA
0	10210
5	8943
15	3751
25	1634
35	756
45	30

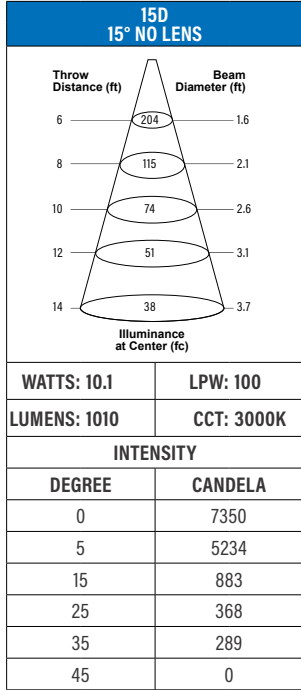
40D 39° NO LENS	
Throw Distance (ft)	Beam Diameter (ft)
6	4.2
8	5.6
10	7
12	8.4
14	9.8
Illuminance at Center (fc)	
161	
90	
58	
40	
30	
WATTS: 32.8	LPW: 94.3
LUMENS: 3094	CCT: 3000K
INTENSITY	
DEGREE	CANDELA
0	5785
5	5604
15	3846
25	1956
35	866
45	44

55D 55° NO LENS	
Throw Distance (ft)	Beam Diameter (ft)
6	6.2
8	8.2
10	10.3
12	12.3
14	14.4
Illuminance at Center (fc)	
115	
65	
42	
29	
21	
WATTS: 32.8	LPW: 93.2
LUMENS: 3058	CCT: 3000K
INTENSITY	
DEGREE	CANDELA
0	4158
5	4082
15	3525
25	2366
35	868
45	48

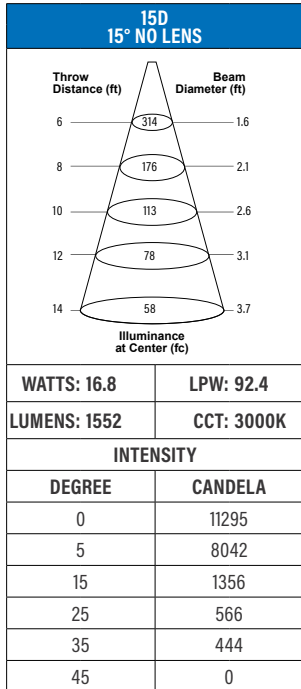
PROJECT INFORMATION		
JOB NAME		TYPE
ORDERING CODE		

PHOTOMETRIC DATA

10LM CCT MULTIPLIERS	
	90CRI
2700K	0.96
3000K	1
3500K	1.01
4000K	1.02
FC Formula = CBCP / Distance	



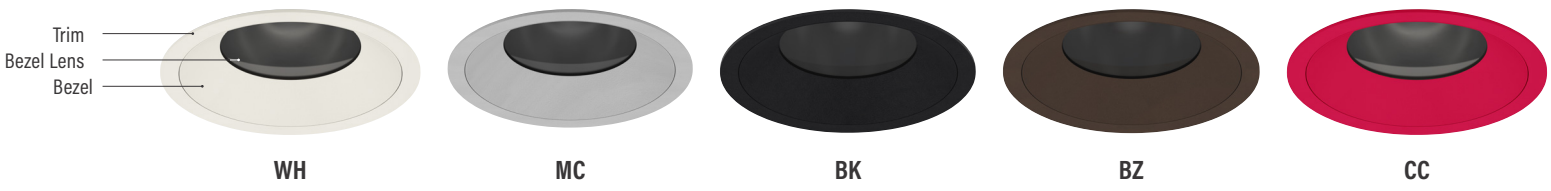
15LM CCT MULTIPLIERS	
	90CRI
2700K	0.96
3000K	1
3500K	1.01
4000K	1.02
FC Formula = CBCP / Distance	



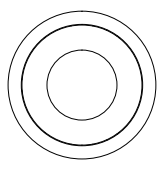
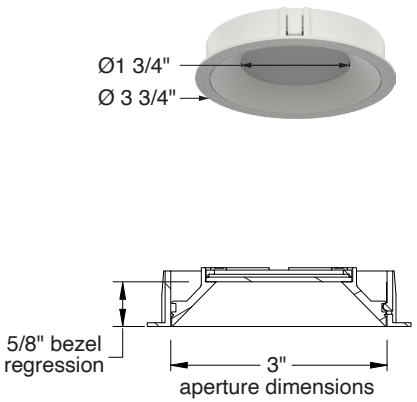
PROJECT INFORMATION		
JOB NAME		TYPE
ORDERING CODE		

TRIM OPTIONS

TRIM/BEZEL COLORS

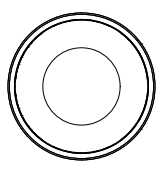
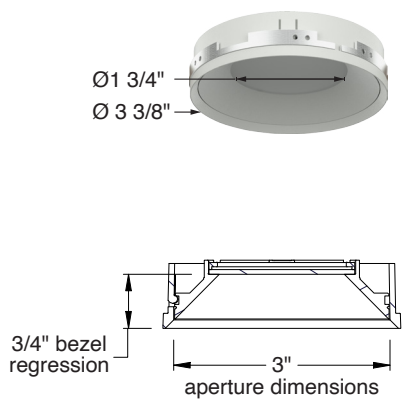


TRIMMED



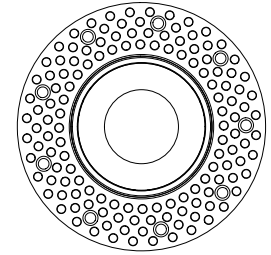
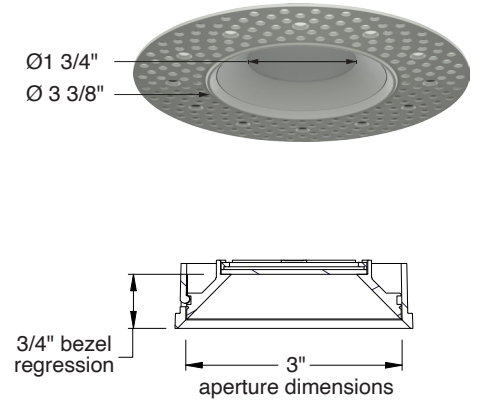
ceiling cutout
3-3/8" diameter
ceiling thickness
1/8" to 1-1/4"

MILLWORK



ceiling cutout
3-3/8" diameter
ceiling thickness
1/2" to 1-3/8"

TRIMLESS



ceiling cutout
3-1/2" diameter
ceiling thickness
3/8" to 1-3/8"

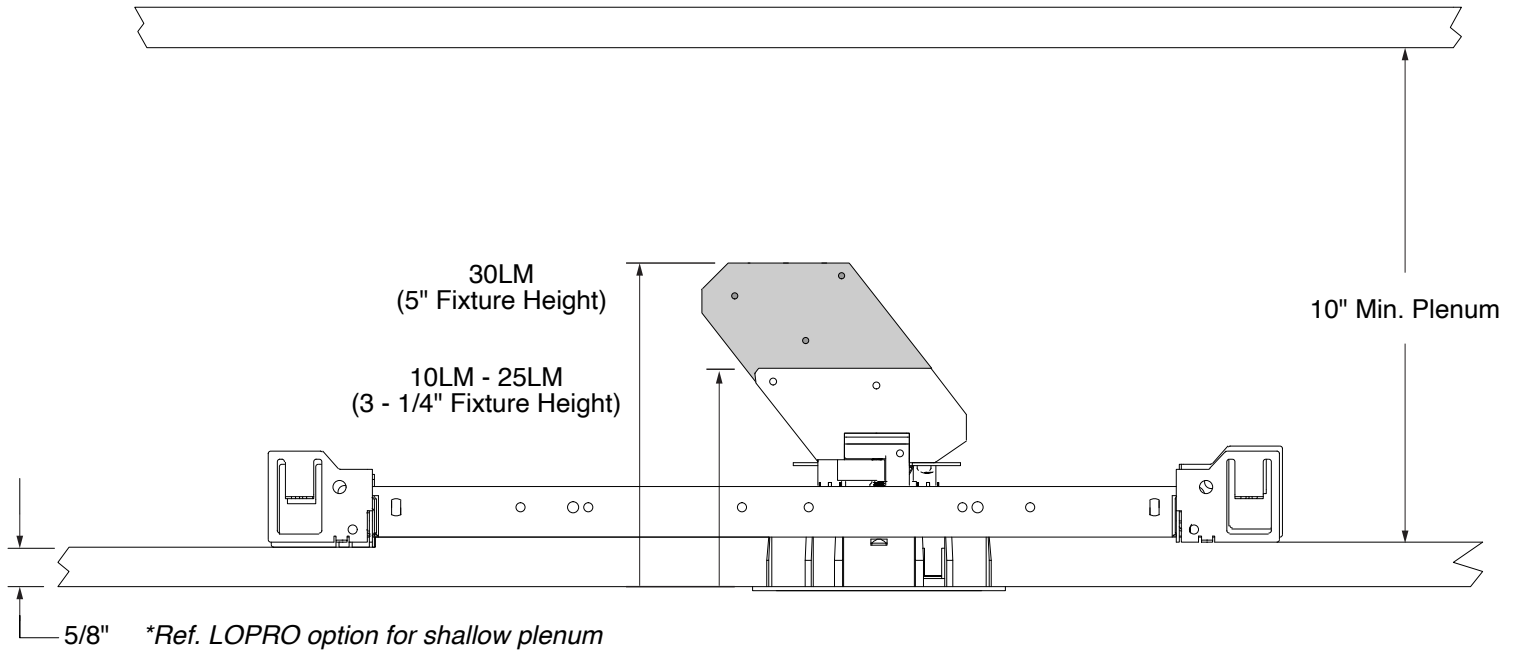
PROJECT INFORMATION		
JOB NAME	TYPE	
ORDERING CODE		

MOUNTING OPTIONS

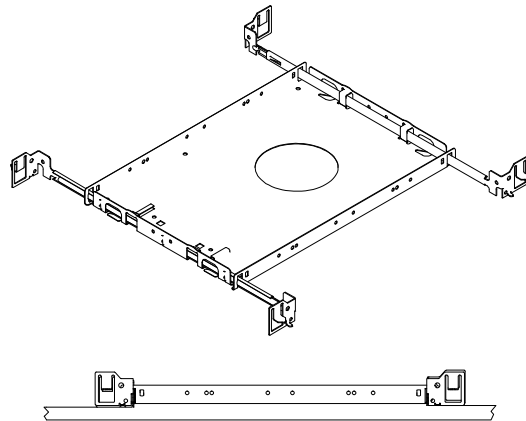
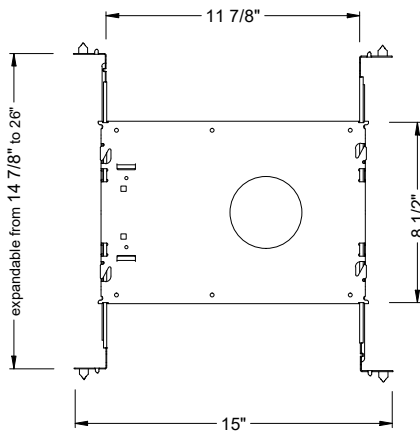
RATINGS / CERTIFICATIONS	NC	RET	IC	ICAT	CP
TYPE NON-IC	✓	✓			
TYPE IC			✓	✓	
CHICAGO PLENUM (CCEA)					✓
SUITABLE FOR AIR HANDLING PLENUMS	✓	✓	✓	✓	✓
REDUCED AIRFLOW (WITH LENS) ASTM E283	✓	✓	✓	✓	✓

MOUNTING TYPE	STANDARD CEILING THICKNESS	STANDARD CEILING CUTOUT
TRIM	1/8" to 1-1/4"	3-3/8" diameter
TRIMLESS	3/8" to 1-3/8"	3-1/2" diameter
MILLWORK (TRIMLESS)	1/2" to 1-3/8"	3-3/8" diameter

PLENUM HEIGHT



NEW CONSTRUCTION - NC

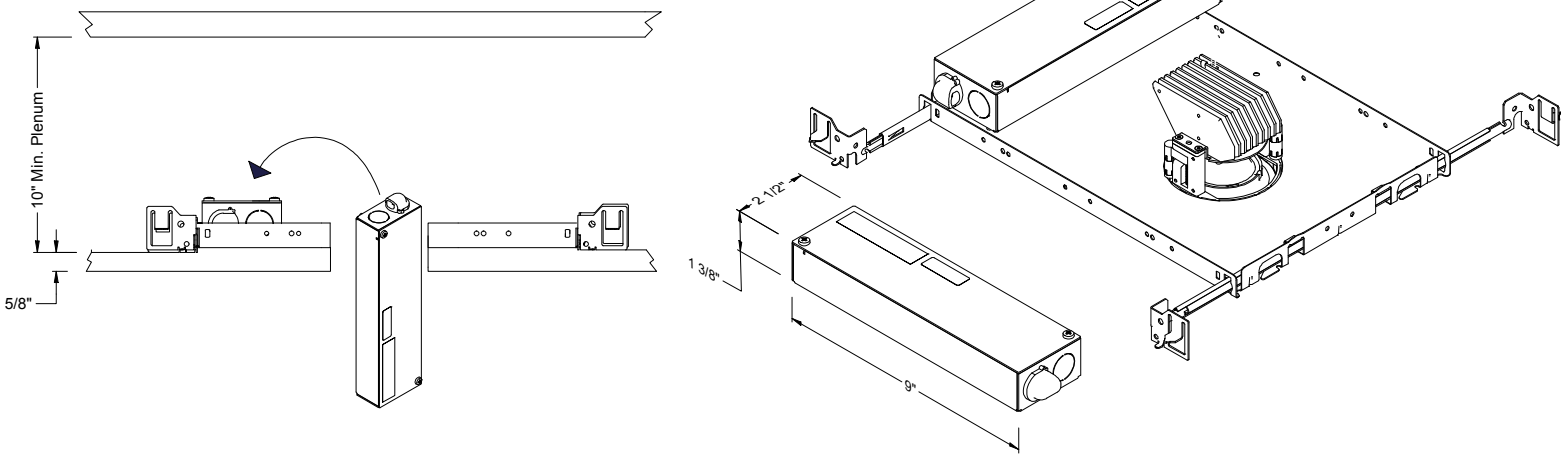


ADDITIONAL MOUNTING INFO	
New Construction Bar Hangers (included)	Mounting Length: 14-3/4" to 26"
Extension Kit p/n: K20266 (ordered separately, 1 per fixture)	Extends a pair of Bar Hangers Total Mounting Length: 29" to 48"

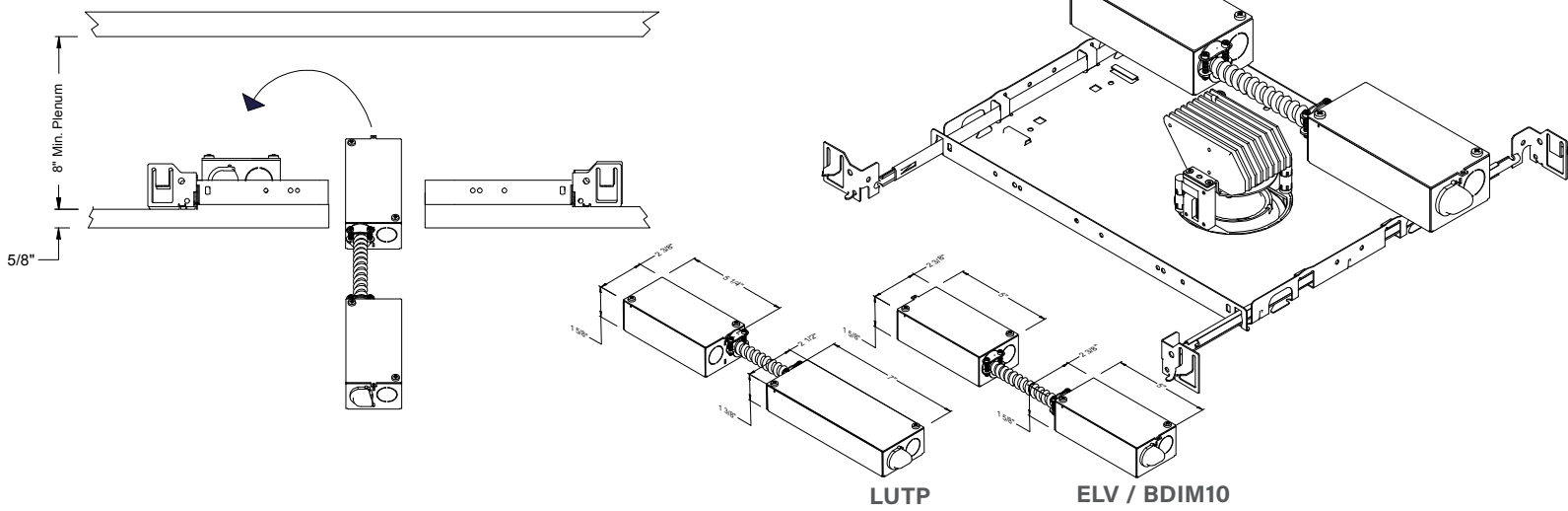
PROJECT INFORMATION		
JOB NAME		TYPE
ORDERING CODE		

MOUNTING OPTIONS

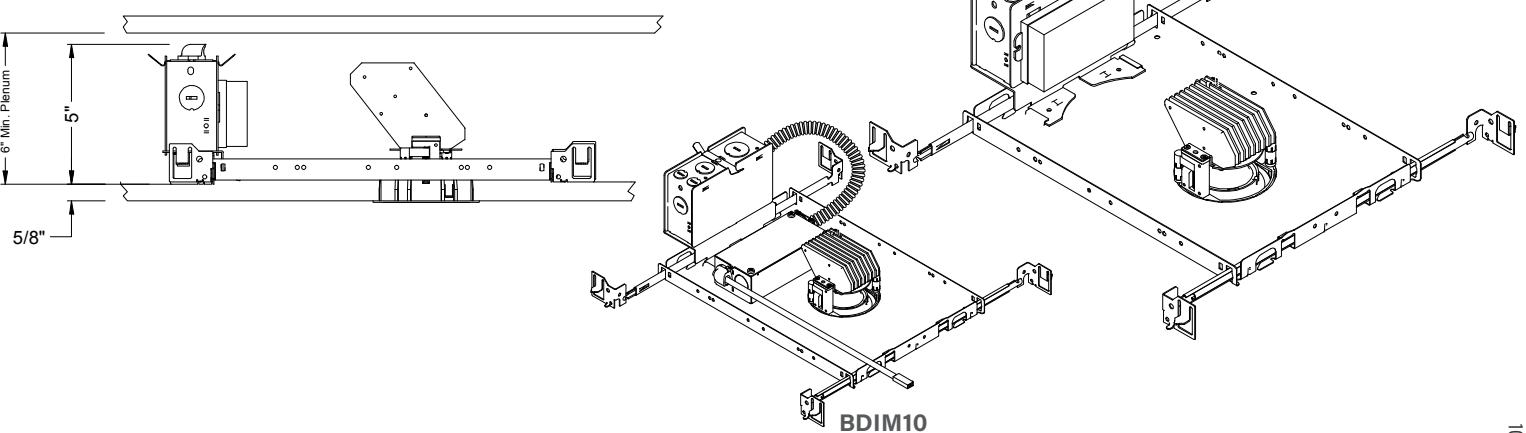
10LM-30LM (DIM10 / DIM10Z / DALI / DALIZ) - FLOATING (BELOW CEILING ACCESSIBLE)



10LM-30LM (BDIM10 / ELV1 / LUTP) - FLOATING (BELOW CEILING ACCESSIBLE)



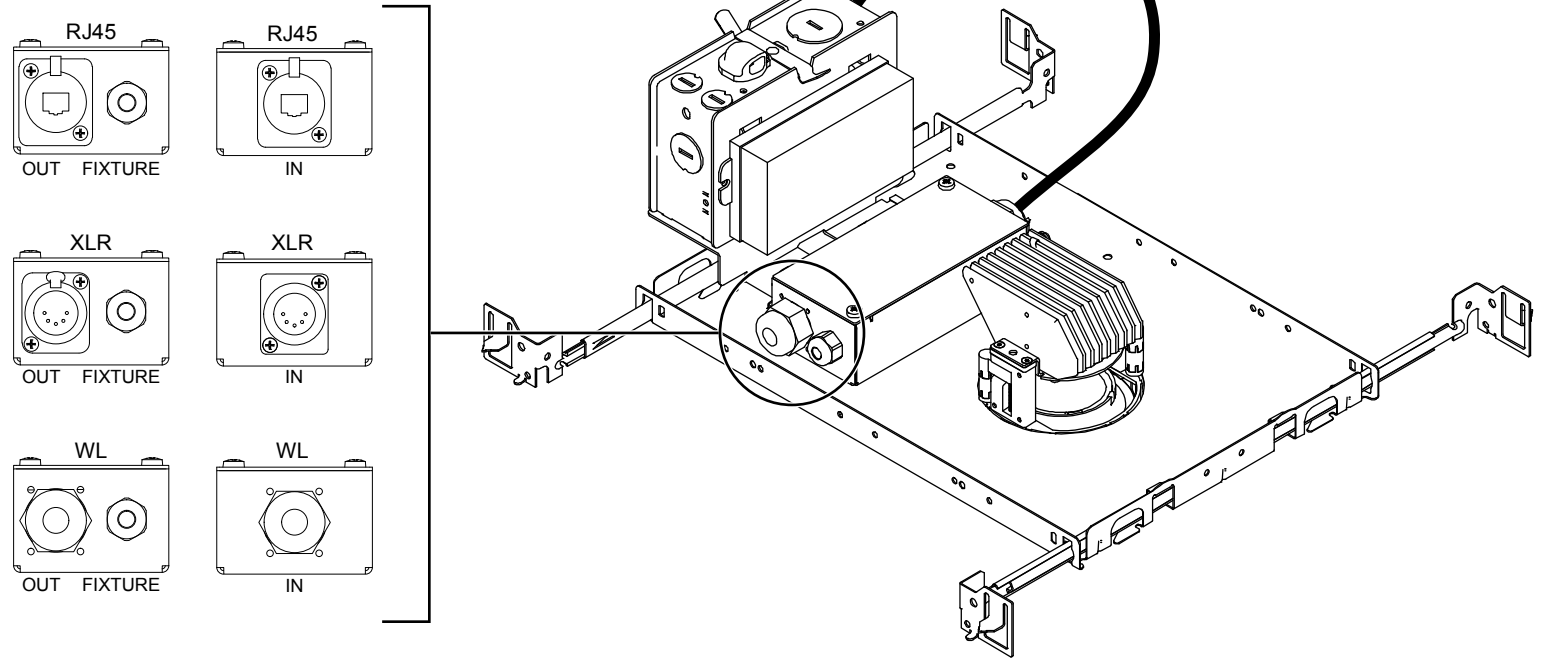
10LM - 30LM (DIM10/ BDIM10 / DIM10Z / DALI / DALIZ / ELV1 / LUTP) - FIXED (ABOVE CEILING ACCESS REQUIRED)



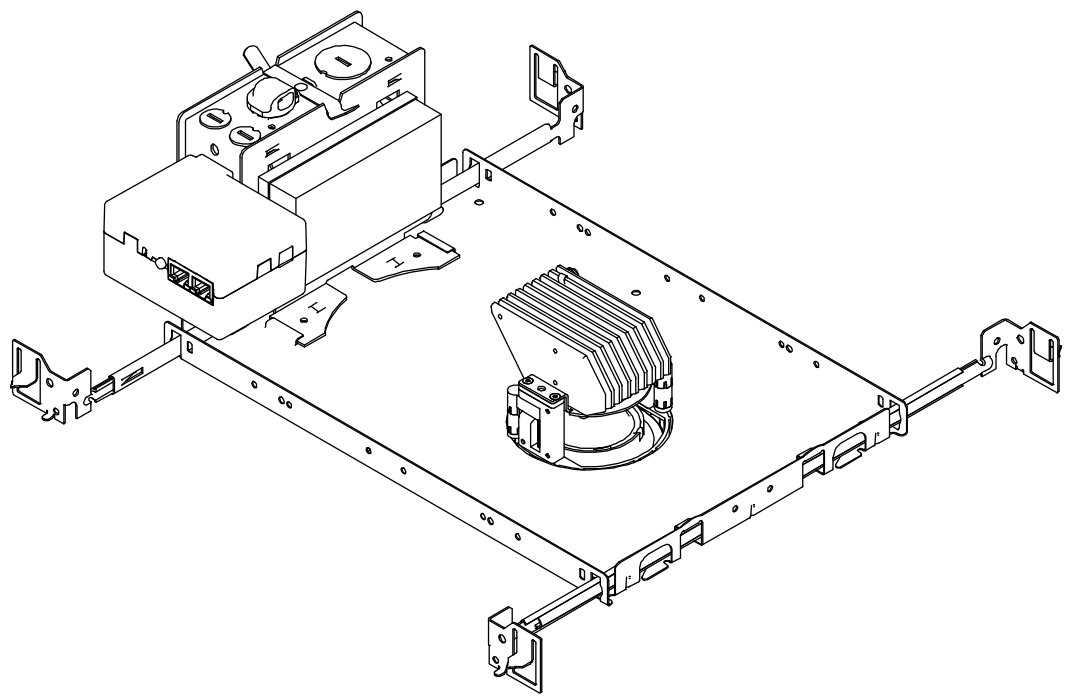
PROJECT INFORMATION		
JOB NAME	TYPE	
ORDERING CODE		

MOUNTING OPTIONS

10LM-30LM (DMXZ) - FIXED (ABOVE CEILING ACCESS REQUIRED)



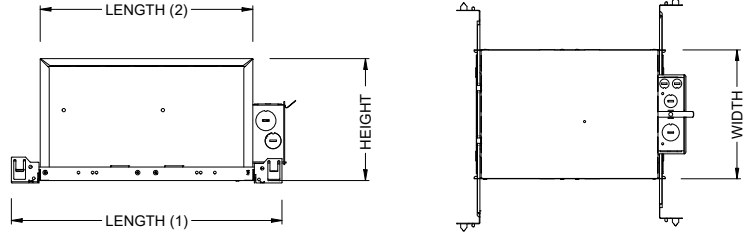
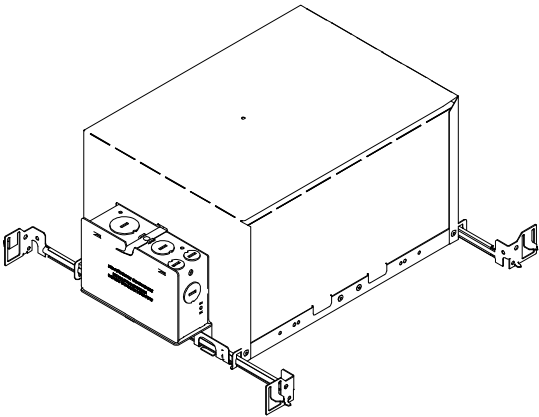
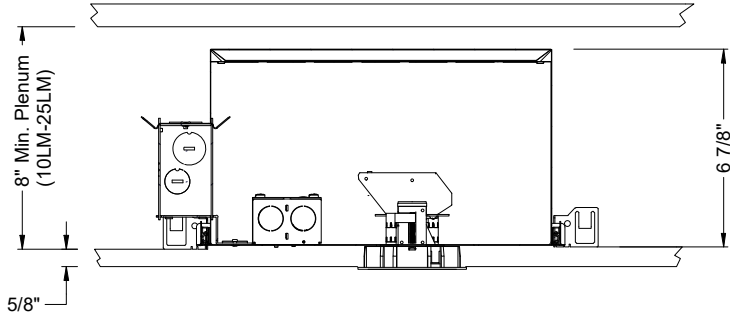
10LM-30LM NLT HOUSING - (NLT) - FIXED (ABOVE CEILING ACCESS REQUIRED)



PROJECT INFORMATION		
JOB NAME		TYPE
ORDERING CODE		

MOUNTING OPTIONS

IC - INSULATION CONTACT | ICAT - INSULATION CONTACT / AIR TIGHT | CP - CHICAGO PLENUM — FLOATING (DIM10 / BDIM10/ DIM10Z / DALI / DALIZ / LUTP / ELV1 / ND)



BOX SIZE	L 1	L 2	W	H
A	15 - 7/16"	11 - 3/4"	8 - 1/2"	6 - 3/4"

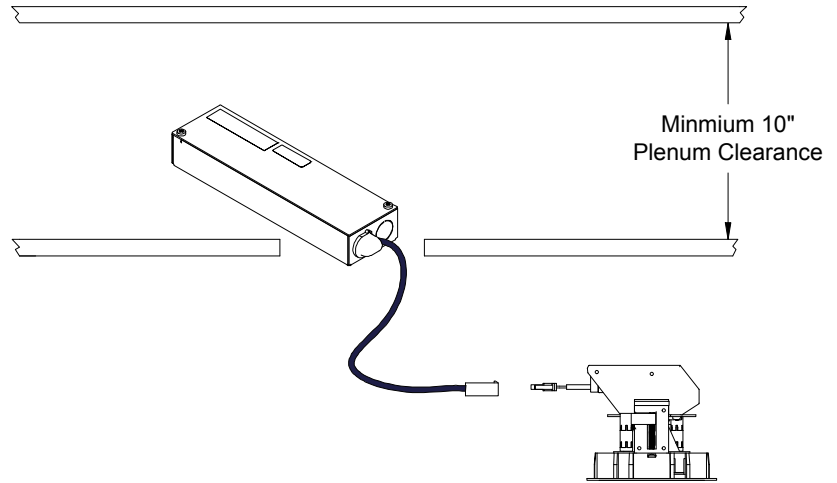
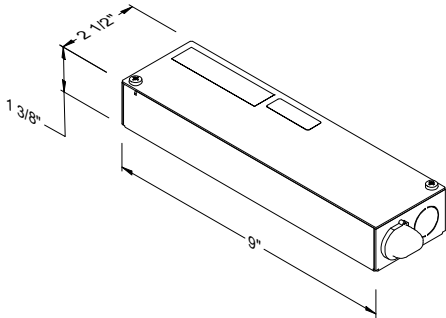
BOX TYPE / LUMEN OUTPUT - STANDARD BEAMS (20° - 55°)			
LUMEN OUTPUT	BOX - A		
	IC	ICAT	CP
10LM	✓	✓	✓
15LM	✓	✓	✓
20LM	✓	✓	✓
25LM	✓	✓	✓
30LM			

BOX TYPE / LUMEN OUTPUT - STANDARD BEAMS (15°)			
LUMEN OUTPUT	BOX - A		
	IC	ICAT	CP
10LM	✓	✓	✓
15LM	✓	✓	✓

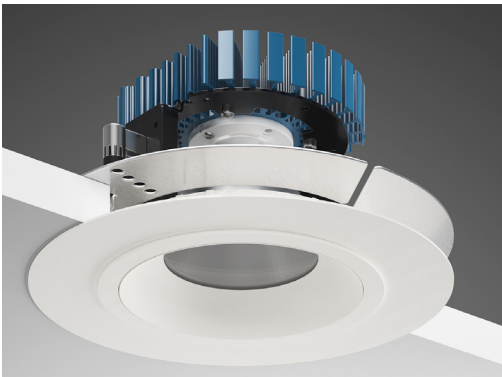
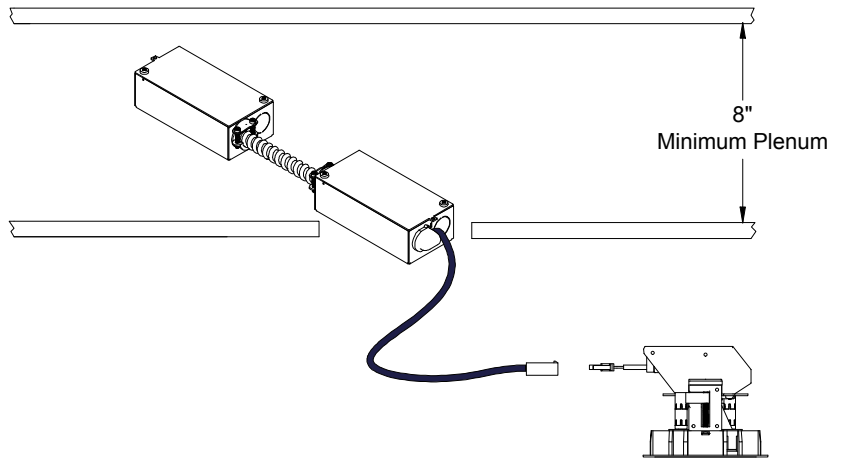
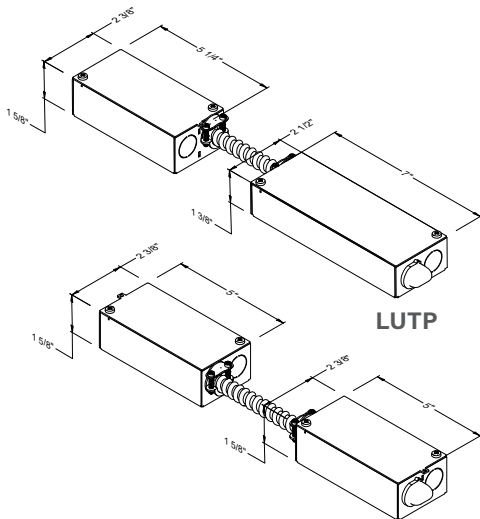
PROJECT INFORMATION		
JOB NAME		TYPE
ORDERING CODE		

RETRO OPTIONS

10LM - 30LM (DIM10 / DIM10Z / DALI / DALIZ)



10LM - 30LM (BDIM10 / ELV1 / LUTP)



NU3 SERIES - Goof Ring, Round

PRODUCT	ROUND CEILING HOLE CUTOUT RANGE ¹	GOOF RING SIZE	ORDERING CODE
NU3-RD NU3-RA NU3-RW	3.38" to 3.88"	OD = 6.0"	GF-3R-1-XX ²
	3.89" to 4.5"		GF-3R-2-XX ³
	4.51" to 5.0"		GF-3R-3-XX ³
	5.01" to 5.5"	OD = 7.0"	GF-3R-4-XX ³
	5.51" to 6.0"		GF-3R-5-XX ³

1. Choose the appropriate range only if your ceiling cutout measurement falls within that range.

Example: - If your ceiling cutout is 4.75" inches, choose the range 4.51" to 5.0".

- If your ceiling cutout is 5.5" inches, choose the range 5.01" to 5.5".

2. Upper goof ring not included.

3. Upper goof ring included.

*XX - Indicates finish color. Only available in WH or BK. Complete ordering code by adding WH or BK to ordering code.

Example: GF-3R-1-WH

*Accommodates max ceiling thickness up to 11/4" for RD, RA and up to 5/8" for RW.

PROJECT INFORMATION		
JOB NAME		TYPE
ORDERING CODE		

LOW VOLTAGE OPTIONS

20° -105° BEAM

(Note: Specifications are subject to change without notice)

9mm COB PERFORMANCE DATA

LED LIGHT ENGINE	NOMINAL DELIVERED LUMENS	DRIVE CURRENT	LED WATTAGE
10LM	1010LM @30K/90CRI	200mA	7.5W
15LM	1580LM @30K/90CRI	325mA	12W
20LM	2100LM @30K/90CRI	450mA	16.5W
25LM	2570LM @30K/90CRI	575mA	21W
30LM	3120LM @30K/90CRI	750mA	27W
Notes	Delivered lumens based on 20° optic with no lens, (see page 2)		

15° BEAM

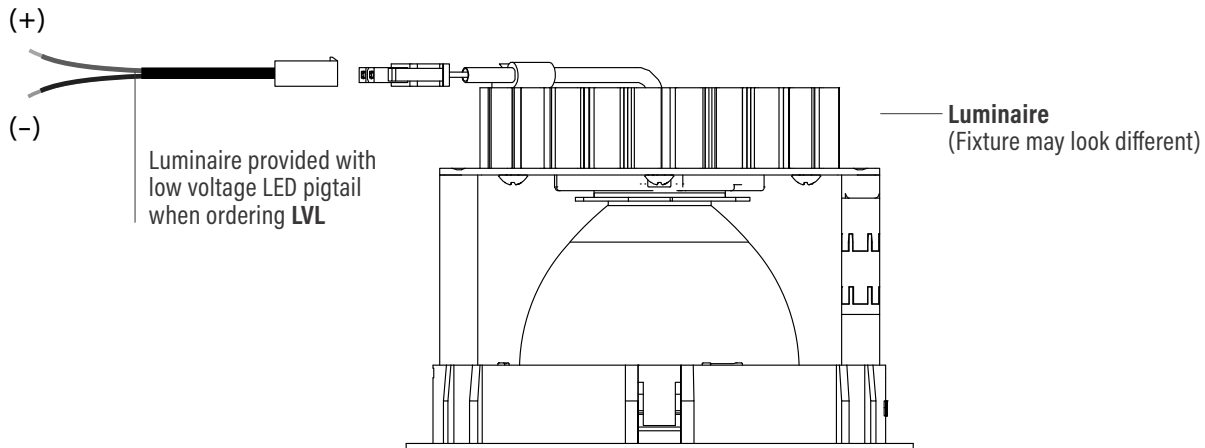
(Note: Specifications are subject to change without notice)

6mm COB PERFORMANCE DATA

LED LIGHT ENGINE	NOMINAL DELIVERED LUMENS	DRIVE CURRENT	LED WATTAGE
10LM	1010LM @30K/90CRI	225mA	8.5W
15LM	1550LM @30K/90CRI	375mA	13.5W
Notes	Delivered lumens based on 15° optic with no lens, (see page 2)		

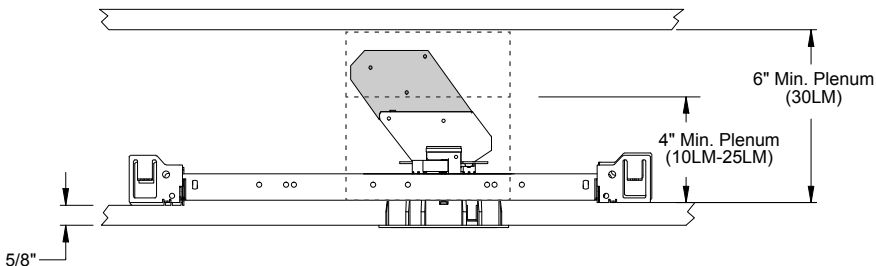
NOMINAL LED VOLTAGE: 36VDC

Customer to order CC Remote Driver separately or POE Node by others.

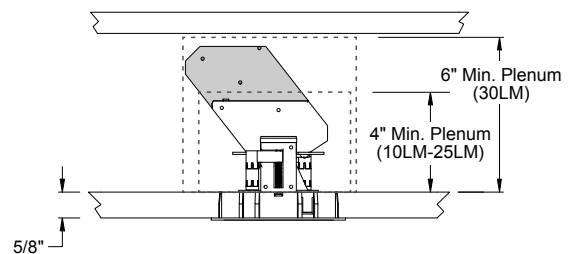


PLENUM HEIGHT

(NC-LVL-ND) NEW CONSTRUCTION REMOTE DX PANEL



(RET-LVL-ND) REMOTE DX PANEL RETRO

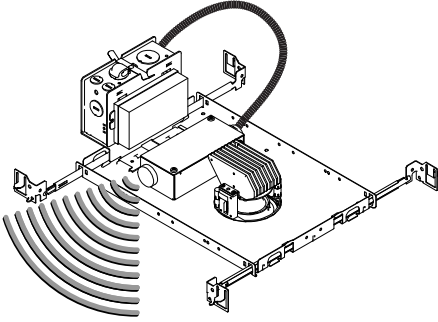


*Ref. DX panel specification sheet for remote driver options.

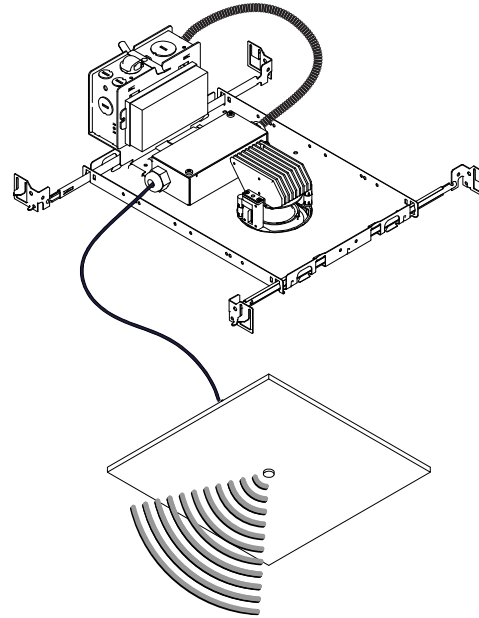
PROJECT INFORMATION		
JOB NAME		TYPE
ORDERING CODE		

WIRELESS OPTIONS

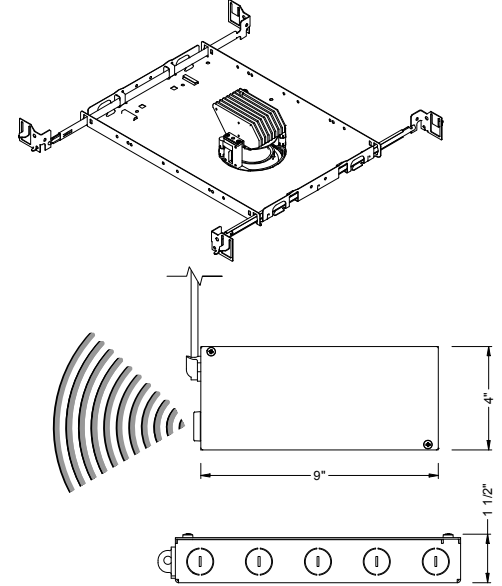
NC - NEW CONSTRUCTION - FIXED PLENUM SIDE



NC - NEW CONSTRUCTION - FIXED R CEILING SIDE



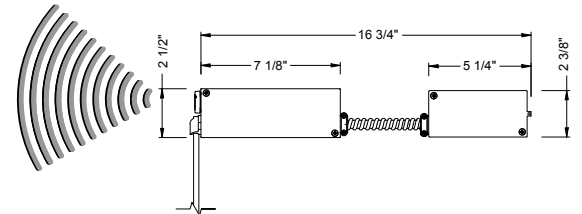
NC - NEW CONSTRUCTION DX REMOTE



Customer must verify system design and installation with their controls provider (e.g., Lutron).

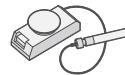
Wireless signal strength, reliability, performance, and commissioning are the responsibility of the customer. Remote DX can power LEDs up to 330FT (18 AWG), but adequate wireless signal is customers responsibility.

RET - RETRO 10LM - 20LM PLENUM SIDE



ORDERING CODE

NLTA nlight air wireless device (0-10V Driver) - integrated / above ceiling
NLTA-DX ... nlight air wireless device (0-10V Driver) - remote DX Compact Driver



MODEL NUMBER

nlight air model #: R10-ZT-180D-G2

POWER SUPPLY

(0-10V Driver): ELD0led 0-10V Optotronic LED driver with Aux Power, Dim-to-off



ORDERING CODE

AWN athena wireless node (0-10V Driver) - integrated / above ceiling
AWN-DX ... athena wireless node (0-10V Driver) - remote DX Compact Driver
AWND athena wireless node (DALI2 Driver) - integrated / above ceiling
AWND-DX . athena wireless node (DALI2 Driver) - remote DX Compact Driver
AWND-R ... athena wireless OCC Sensor / 4FT lead (DALI2 Driver) - ceiling installation



MODEL NUMBER

athena node model #: A-WN-D01-RF
 athena OCC model #: A-WN-D01-OCC-WH

POWER SUPPLY

(0-10V Driver): ELD0led 0-10V Optotronic LED driver with Aux Power, Dim-to-off
 (DALI2 Driver): Moons D4i DALI2 LED driver with DALI Bus Power, Dim-to-off



ORDERING CODE

CLM connected lighting module (0-10V Driver) - integrated / above ceiling
CLM-DX connected lighting module (0-10V Driver) - remote DX Compact Driver
CLMD connected lighting module (DALI2 Driver) - integrated / above ceiling
SENSI-R ... SensiLUM sensor / 4FT lead (DALI2 Driver) - ceiling installation



MODEL NUMBER

CLM model #: ZBHA-CLM-DIM
 SensiLUM sensor model #: EN-CLM-PIR-DD-ZB

POWER SUPPLY

(0-10V Driver): ELD0led 0-10V Optotronic LED driver with Aux Power, Dim-to-off
 (DALI2 Driver): Moons D4i DALI2 LED driver with DALI Bus Power, Dim-to-off



ORDERING CODE

CAS Casambi wireless controller (0-10V Driver) - integrated / above ceiling
CAS-DX ... Casambi wireless controller (0-10V Driver) - remote DX Compact Driver



MODEL NUMBER

Casambi model #: CBU-ARP-LR

POWER SUPPLY

(0-10V Driver): ELD0led 0-10V Optotronic LED driver with Aux Power, Dim-to-off

PROJECT INFORMATION		
JOB NAME		TYPE
ORDERING CODE		

BATTERY OPTIONS

EMERGENCY BATTERY

IOTA's ILB Battery Backups are UL Listed LED emergency drivers that allow the same LED fixture to be used for both normal and emergency operation. In the event of a power failure, the ILB switches to the emergency mode and operates the existing fixture for 90 minutes. The unit contains a battery, charger, and converter circuit in a single can. The Constant Power design of the ILB maintains the output wattage to the LED array even as the system voltage diminishes. UL 924 Listed for U.S. and Canada. UL 1310 Certified, Output Class 2 Compliant. Includes single-piece TBTS test switch and charge indicator accessory kit. For use with switched and unswitched electric fixtures, and includes Two-wire universal AC input. Meets or exceeds all National Electric Code and Life Safety Code Emergency Lighting Requirements. Rated for use in Plenum, Damp Location, Recessed Type IC, and Enclosed and Gasketed Luminares.

REMOTE TEST SWITCH

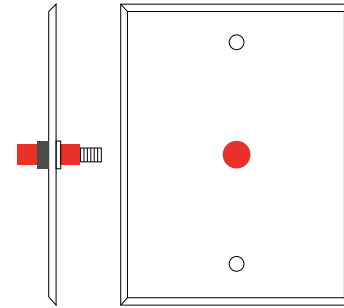
The Remote Test Switch may be mounted adjacent to the LED Fixture by others.

EMERGENCY BATTERY ACCESS

Above ceiling access is required for service. An access panel in the ceiling (or other form of access) adjacent to the installation location of the Emergency Battery is required.

REMOTE LOCATION

Maximum remote mounting distance of the emergency driver shall be 50 feet. Remote location wiring provided by others. Follow all Local and National Electric/Building Codes.

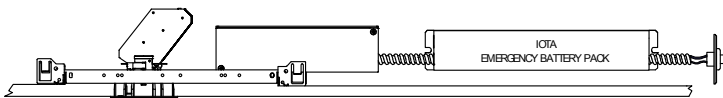


Remote Test Switch

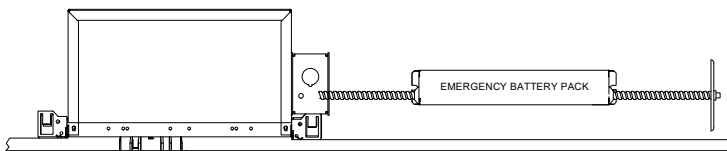
EM MODE OUTPUT (DELIVERED LUMENS)			
LUMEN ORDERING CODE	EM7	EM10	EM12
ALL OPTIONS (10LM TO 30LM)	670LM	1121LM	1345LM

Notes: Based on 30K, 90CRI

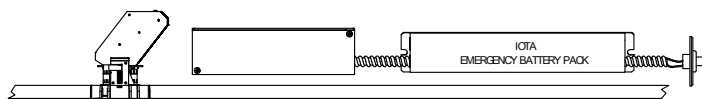
NC - NEW CONSTRUCTION WITH EM BATTERY (REMOTE TEST SWITCH)



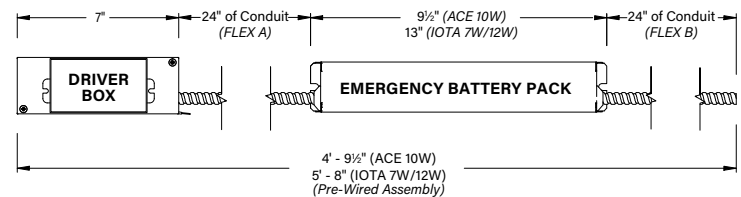
IC / ICAT / CP - INSULATION CONTACT HOUSING WITH EM BATTERY (REMOTE TEST SWITCH)



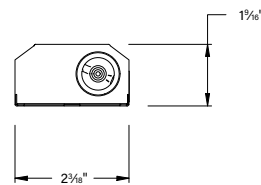
RET - RETROFIT WITH EM BATTERY (REMOTE TEST SWITCH)



REMOTE BATTERY DIMENSIONS



EMERGENCY BATTERY PACK



DRIVER BOX

