

LED OUTDOOR

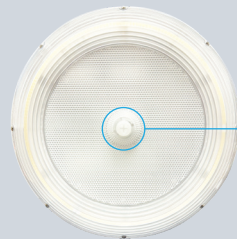
ROUND GARAGE CANOPY

CCT & WATTAGE SELECTABLE - OPTIONAL UPWARD LIGHT

100W - SENSOR READY

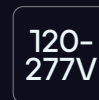


LR40720
30W | 50W | 75W | 100W



SENSOR READY

FRONT VIEW



ELECTRICAL

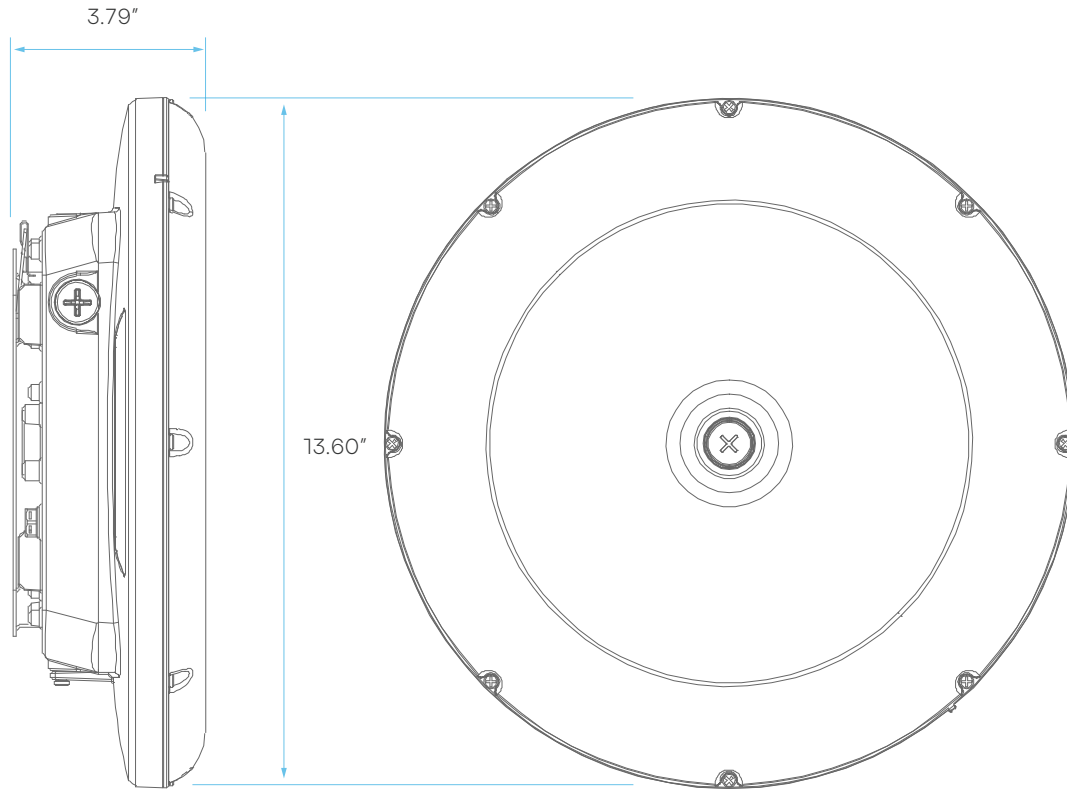
MODEL	DESCRIPTION	POWER	LUMEN	INPUT VOLTS	EFFICACY	LIFETIME	COST/YR
100W	LR40720 LEDCN100/3CCT/4WO/UNV/RD/WT [Blank;(PT),(MS),(EM),(EMS)]	30	3600	120-277V	120	50,000	\$12.04
		50	6000				
		75	9000				
		100	12000				

PHOTOMETRIC

MODEL	DESCRIPTION	COLOR (CCT)	TEMP	FLOOD	CRI	UL LISTED	DLC
LR40720	LEDCN100/3CCT/4WO/UNV/RD/WT	3000K/4000K/5000K	CCT SELECTABLE	150°	80	YES	S-LCNZVF

*Blank= No Sensor or Emergency Driver function, "MS"= Motion sensor; "PT"= Photocell; "EM"= Emergency driver; "EMS"= Emergency Driver & Motion Sensor

DIMENSIONS



COMPATIBILITY

*SOLD SEPARATELY



**12VDC PHOTOCCELL
& DAYLIGHT SENSOR**
LR40714
LEDSNS/CN/PC/IP



**MICROWAVE BI-LEVEL
IP SENSOR**
LR40713
LEDSNS/CN/MW/BIlevel/IP



**MICROWAVE
BI-LEVEL REMOTE**
LR25189
LEDSNS/MW/BIlevel/REMOTE



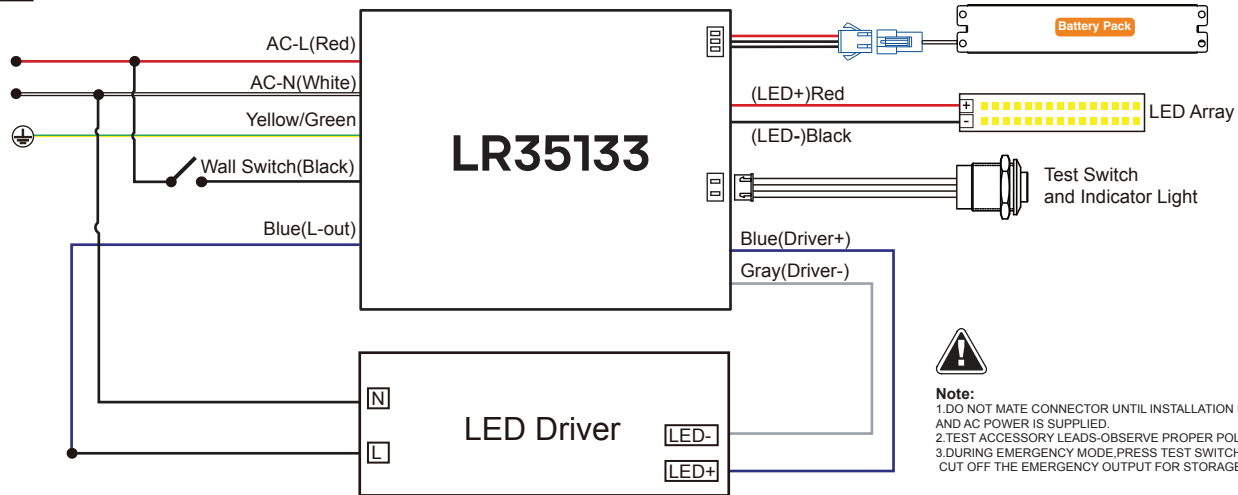
LR35133 - SPECIFICATIONS

MODEL	DESCRIPTION	EM POWER	INPUT VOLTS	FREQUENCY	INPUT CURRENT	INPUT POWER	OUTPUT VOLTAGE	RECHARGE TIME	EMERGENCY TIME
LR35133	LED/EMR/8W/DC/HV	8	100-347V	50/60Hz	<100mA	7W	60-300VDC	24Hr	90min

AMBIENT TEMPERATURE: 41°F ~ 140°F

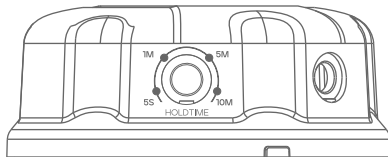
WIRING DIAGRAM

WARNING: DISCONNECT POWER BEFORE INSTALLING OR SERVICING

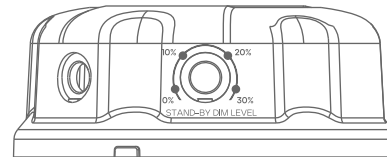


LR40713 - BI-LEVEL MOTION SENSOR SETTINGS

HOLD TIME



STAND-BY DIM LEVEL



LR40714 - 12VDC PHOTOCELL & DAYLIGHT SENSOR

