

LUXRITE®

LED CANLESS - SPOTLIGHT



LR23490



LR23491



LR23493

2 HOUR FIRE RATING
TESTED TO COMPLY WITH UL 263
ASTM E119 & CAN ULC S101



LR23490

LED/MINI3/FIRE/5CCT/RD/WT/B



APERTURE	3"
DISTRIBUTION	FIXED/BAFFLED TRIM
APPLICATION	NEW CONSTRUCTION/REMODEL

ELECTRICAL

POWER	6.5W
INPUT VOLTS	120V
INPUT CURRENT	60mA
FREQUENCY	60Hz
DIMMING TYPE	TRIAC
DIMMING RANGE	10-100%
FEED WIRE GAUGE	22AWG
BREAKER SPECIFICATION *(15A @120V)	184pcs*

*Mathematically estimated value. Actual capacity may vary by breaker type and installation environment.

PHOTOMETRIC

COLOR CCT	2700K/3000K/3500K/4000K/5000K
CRI	90
LUMEN	550lm
EFFICACY	85lm/w
BEAM ANGLE	110°

CERTIFICATIONS & SAFETY

LR23490	UL, ENERGY STAR, TITLE 24
WET LOCATION	YES
IC RATED	YES
AIR TIGHT	YES
OPERATING TEMP.	-22°F to 104°F
COST/YR	\$ 0.78
WARRANTY	5 YR

MATERIAL & APPLICATION

MATERIAL	HEAT RESISTANT STEEL CASING
LENS	PC
CUTOUT	Ø3"
MOUNTING TYPE	RECESSED
AREA OF APPLICATION	RESIDENTIAL, COMMERCIAL
CEILING TYPE	DRYWALL/WOOD

DRIVER

	POWER	INPUT VOLTS	INPUT CURRENT	FREQUENCY	INPUT POWER	OUTPUT VOLTAGE	DIMENSIONS	KNOCKOUTS
INCLUDED DRIVER	6.5W	120V	60mA	60Hz	6.5W max	36V DC	4.5"L X 2.5"W X 1.25"H	4

MODEL	DESCRIPTION	EM POWER	INPUT VOLTS	INPUT CURRENT	FREQUENCY	INPUT POWER	OUTPUT VOLTAGE	RECHARGE TIME	EMERGENCY TIME
LR35126**	LED/EMR/15W/AC/SF/E	15	100-347V	100mA	50/60Hz	12W max	170V DC	24HR	90MINS

*AMBIENT TEMPERATURE: 41°F ~ 122°F

**SOLD SEPARATELY

DIMENSIONS

CUTOUT: Ø3"

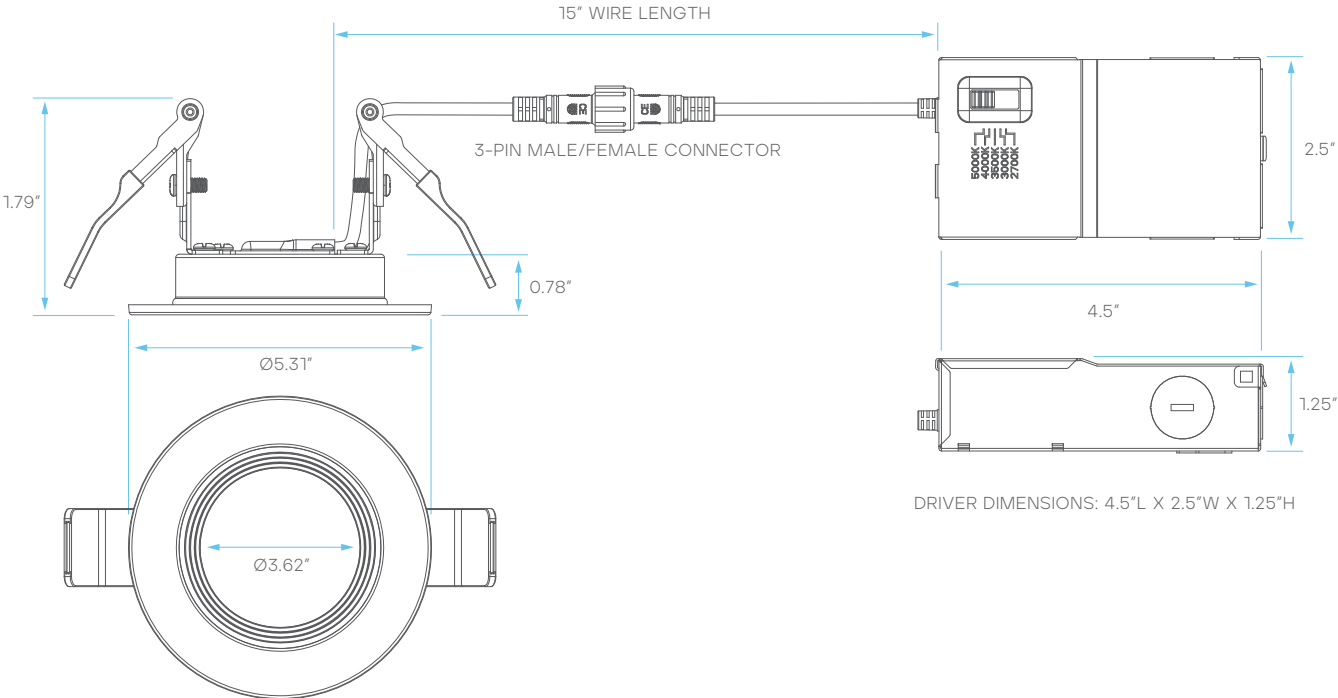
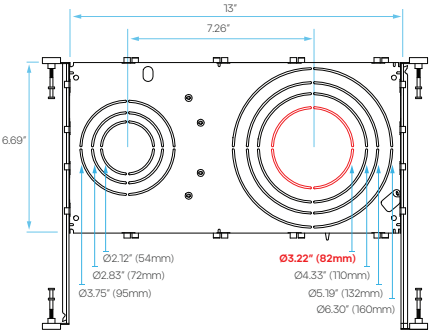


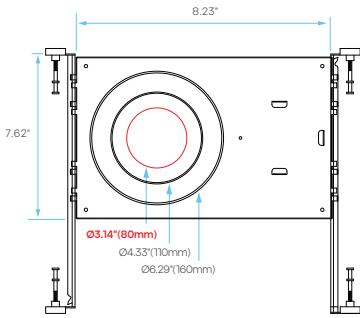
PLATE COMPATIBILITY*

*SOLD SEPARATELY

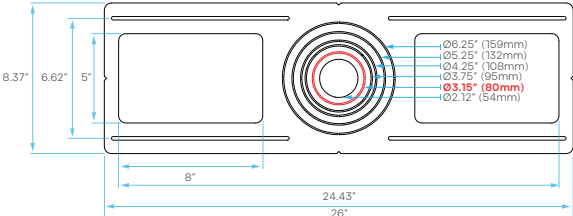
LR41010
KNOCKOUT
RO



LR41002
KNOCKOUT
O



LR41006
KNOCKOUT
1



LR23491

LED/MINI4/FIRE/50CCT/RD/WT/B



APERTURE	4"
DISTRIBUTION	FIXED/BAFFLED TRIM
APPLICATION	NEW CONSTRUCTION/REMODEL



ELECTRICAL

POWER	10W
INPUT VOLTS	120V
INPUT CURRENT	90mA
FREQUENCY	60Hz
DIMMING TYPE	TRIAC
DIMMING RANGE	10-100%
FEED WIRE GAUGE	22AWG
BREAKER SPECIFICATION (15A @120V)	119pcs*

*Mathematically estimated value. Actual capacity may vary by breaker type and installation environment.

PHOTOMETRIC

COLOR CCT	2700K/3000K/3500K/4000K/5000K
CRI	90
LUMEN	820lm
EFFICACY	80lm/w
BEAM ANGLE	110°

CERTIFICATIONS & SAFETY

LR23491	UL, ENERGY STAR, TITLE 24
WET LOCATION	YES
IC RATED	YES
AIR TIGHT	YES
OPERATING TEMP.	-22°F to 104°F
COST/YR	\$ 1.20
WARRANTY	5 YR

MATERIAL & APPLICATION

MATERIAL	HEAT RESISTANT STEEL CASING
LENS	PC
CUTOUT	Ø3.89"
MOUNTING TYPE	RECESSED
AREA OF APPLICATION	RESIDENTIAL, COMMERCIAL
CEILING TYPE	DRYWALL/WOOD

DRIVER

	POWER	INPUT VOLTS	INPUT CURRENT	FREQUENCY	INPUT POWER	OUTPUT VOLTAGE	DIMENSIONS	KNOCKOUTS
INCLUDED DRIVER	10W	120-277V	90mA	60Hz	10W max	36V DC	4.5"L X 3"W X 1.25"H	4

MODEL	DESCRIPTION	EM POWER	INPUT VOLTS	INPUT CURRENT	FREQUENCY	INPUT POWER	OUTPUT VOLTAGE	RECHARGE TIME	EMERGENCY TIME
LR35126**	LED/EMR/15W/AC/SF/E	15	100-347V	100mA	50/60Hz	12W max	170V DC	24HR	90MINS

*AMBIENT TEMPERATURE: 41°F ~ 122°F

**SOLD SEPARATELY

DIMENSIONS

CUTOUT: Ø3.89"

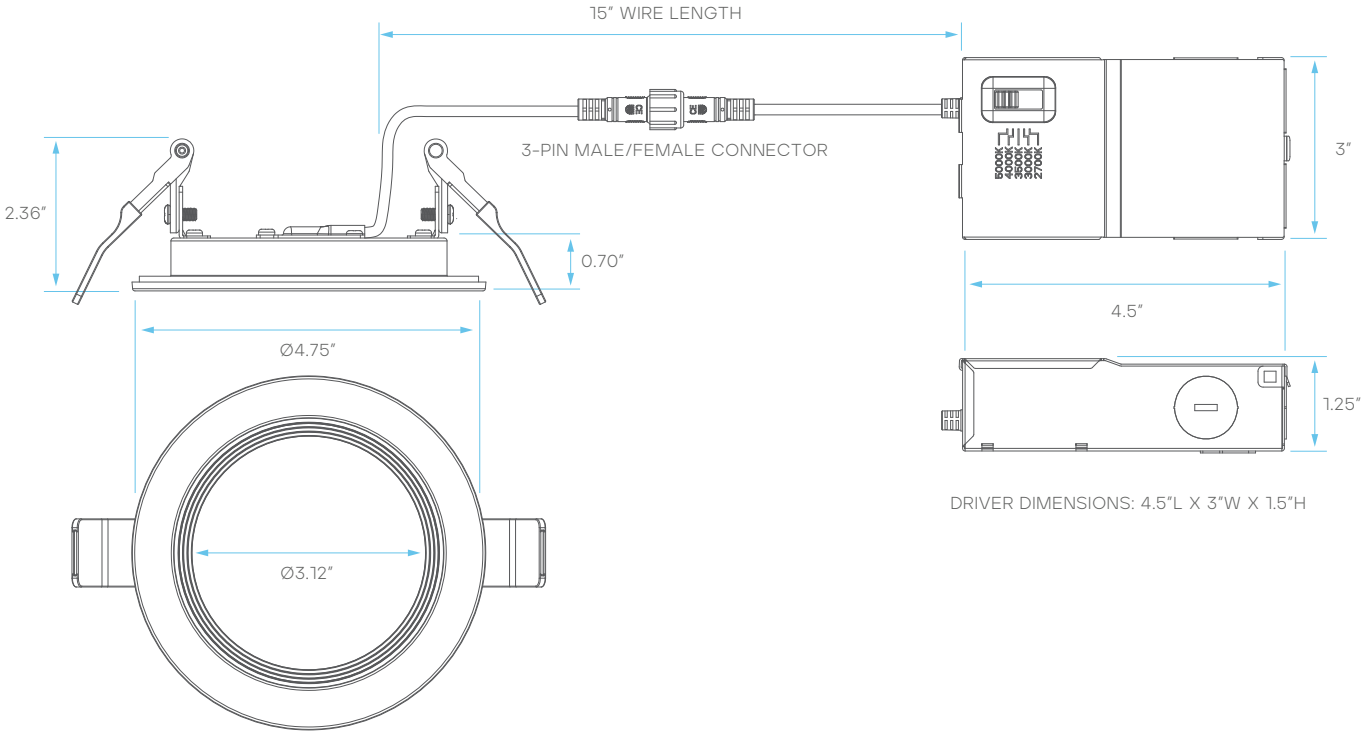
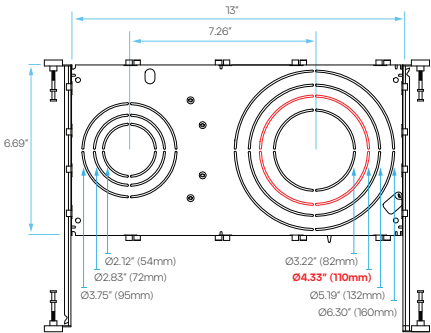


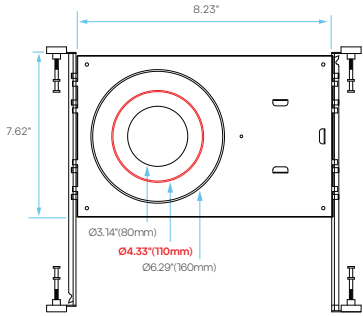
PLATE COMPATIBILITY*

*SOLD SEPARATELY

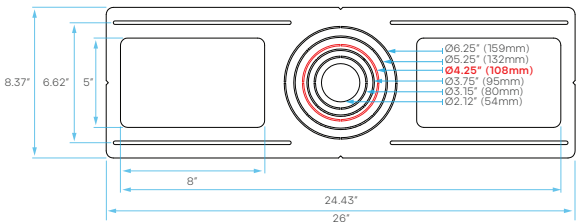
LR41010
KNOCKOUT
R1



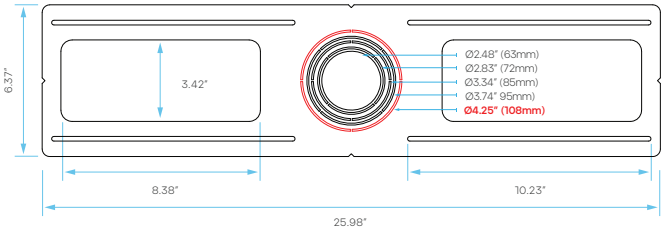
LR41002
KNOCKOUT
1



LR41006
KNOCKOUT
3



LR41011
KNOCKOUT
4



LR23493

LED/MINI6/FIRE/50CCT/RD/WT/B



APERTURE	6"
DISTRIBUTION	FIXED/BAFFLED TRIM
APPLICATION	NEW CONSTRUCTION/REMODEL

ELECTRICAL

POWER	13W
INPUT VOLTS	120V
INPUT CURRENT	120mA
FREQUENCY	60Hz
DIMMING TYPE	TRIAC
DIMMING RANGE	10-100%
FEED WIRE GAUGE	22AWG
BREAKER SPECIFICATION (15A @120V)	92pcs*

*Mathematically estimated value. Actual capacity may vary by breaker type and installation environment.

PHOTOMETRIC

COLOR CCT	2700K/3000K/3500K/4000K/5000K
CRI	90
LUMEN	1050lm
EFFICACY	80lm/w
BEAM ANGLE	110°

CERTIFICATIONS & SAFETY

LR23493	UL, ENERGY STAR, TITLE 24
WET LOCATION	YES
IC RATED	YES
AIR TIGHT	YES
OPERATING TEMP.	-22°F to 104°F
COST/YR	\$ 1.50
WARRANTY	5 YR

MATERIAL & APPLICATION

MATERIAL	HEAT RESISTANT STEEL CASING
LENS	PC
CUTOUT	Ø5.86"
MOUNTING TYPE	RECESSED
AREA OF APPLICATION	RESIDENTIAL, COMMERCIAL
CEILING TYPE	DRYWALL/WOOD

DRIVER

	POWER	INPUT VOLTS	INPUT CURRENT	FREQUENCY	INPUT POWER	OUTPUT VOLTAGE	DIMENSIONS	KNOCKOUTS
INCLUDED DRIVER	13W	120V	120mA	60Hz	13W max	36V DC	4.5"L X 3"W X 1.5"H	4

MODEL	DESCRIPTION	EM POWER	INPUT VOLTS	INPUT CURRENT	FREQUENCY	INPUT POWER	OUTPUT VOLTAGE	RECHARGE TIME	EMERGENCY TIME
LR35126**	LED/EMR/15W/AC/SF/E	15	100-347V	100mA	50/60Hz	12W max	170V DC	24HR	90MINS

*AMBIENT TEMPERATURE: 41°F ~ 122°F
**SOLD SEPARATELY

DIMENSIONS

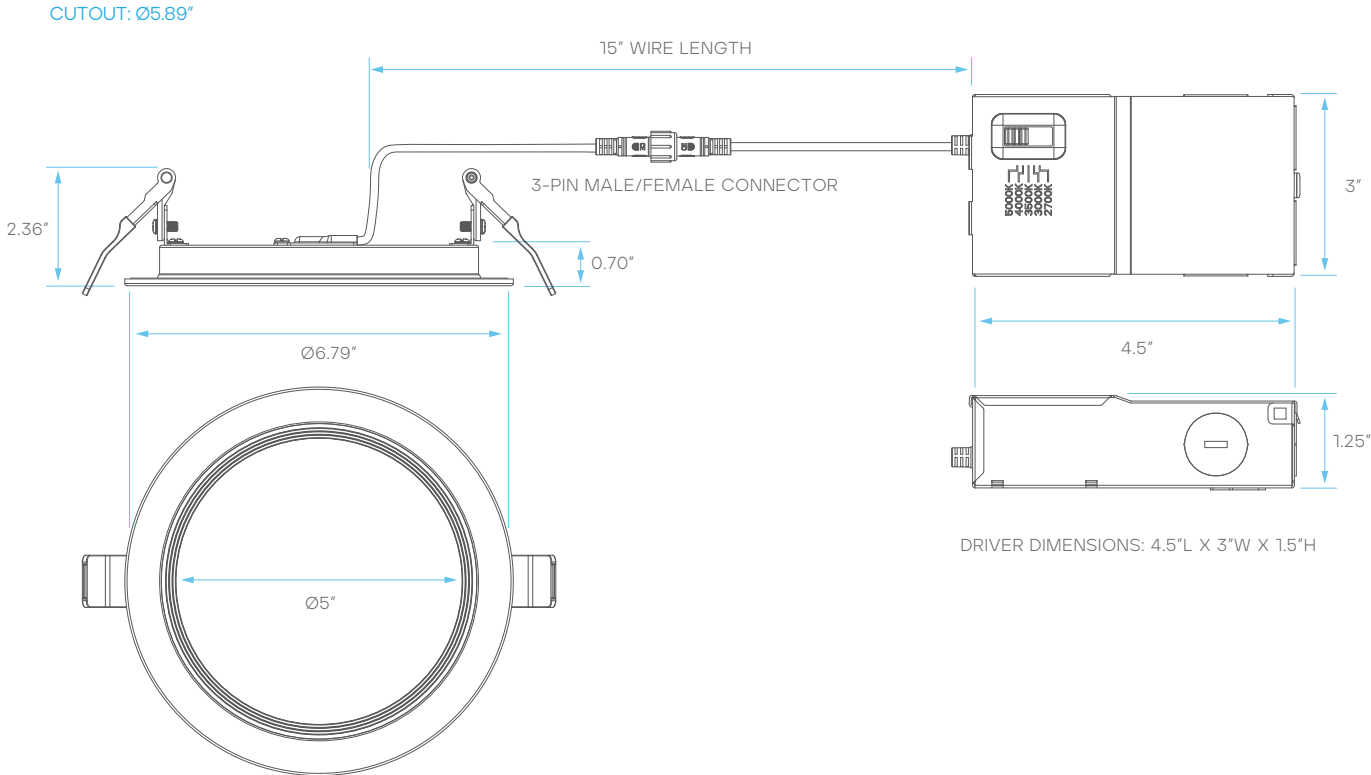
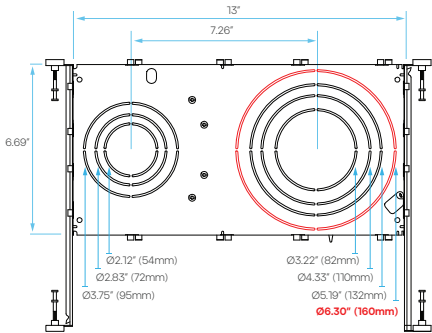


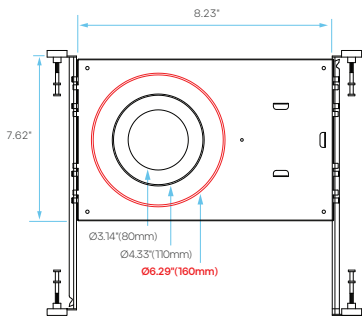
PLATE COMPATIBILITY*

*SOLD SEPARATELY

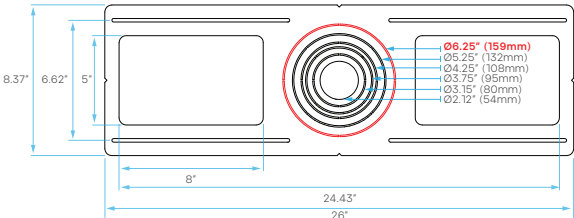
LR41010
KNOCKOUT
R3



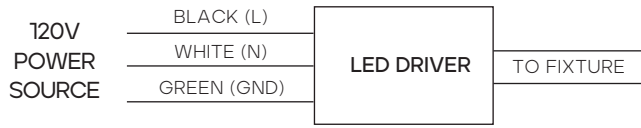
LR41002
KNOCKOUT
2



LR41006
KNOCKOUT
5



WIRING DIAGRAM



SUGGESTED COMPATIBLE DIMMER*

LUTRON	CTCL-153P
	DVCL-153PDH
	DVCL-153P
LEVITON	6672
	6674
PASS & SEYMOUR	HCL453PTCCCV6

*Dimmer performance may vary based on load, wiring, and installation conditions. Inclusion on this chart does not guarantee compatibility for every installation, and omission does not indicate incompatibility. Refer to the dimmer manufacturer's installation instructions and verify minimum load requirements to avoid field issues.

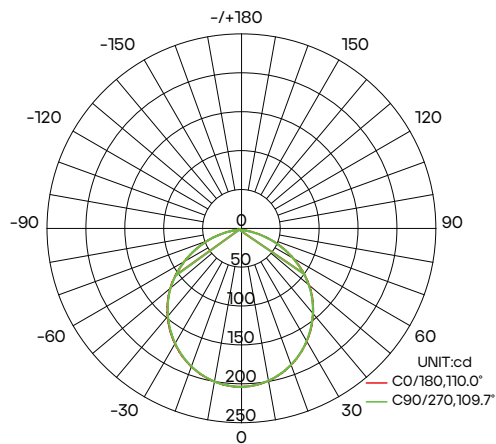
PACKAGING

MODEL	STYLE	INNER BOX DIMENSIONS	MASTER CARTON DIMENSIONS	CASE
LR23490	INNER BOX + MASTER CARTON	4.56" X 3.54" X 5.51"	12" X 8.46" X 5.82"	6
LR23491	INNER BOX + MASTER CARTON	5.82" X 2.67" X 5.43"	12" X 8.46" X 5.82"	6
LR23493	INNER BOX + MASTER CARTON	7.87" X 2.67" X 6.92"	16.06" X 8.46" X 7.32"	6

LuxiFlow™ PHOTOMETRICS

Luxrite® Luxiflow® tool is for informational purposes only, it is not intended to provide lighting or electrical advise.

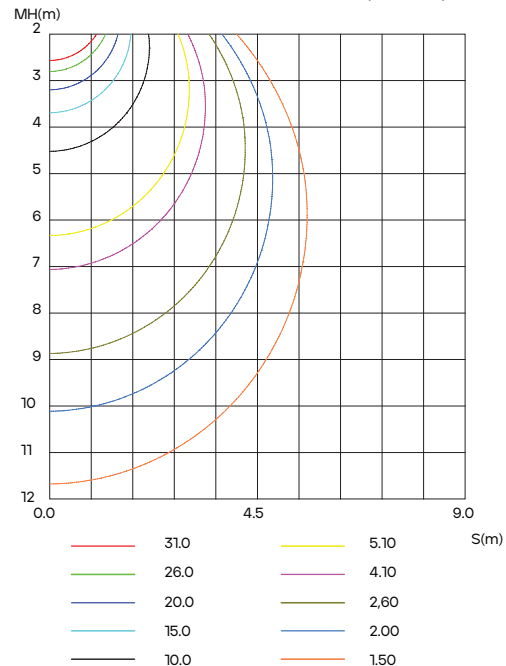
LUMINOUS INTENSITY DISTRIBUTION DIAGRAM



AVERAGE BEAM ANGLE(50%): 109.8 DEG

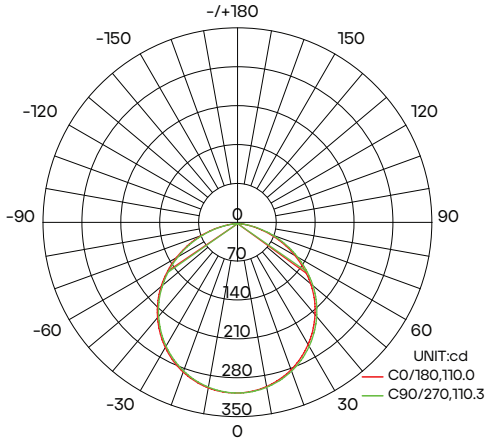
*DIAGRAM SHOWING LR23490 AT 2700K

C0 PLANE ISOLUX DIAGRAM (UNIT:lx)



Luxrite® Luxiflow® tool is for informational purposes only, it is not intended to provide lighting or electrical advise.

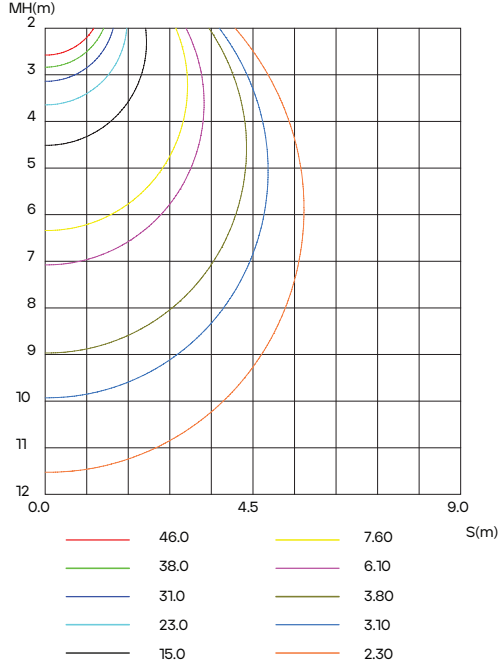
LUMINOUS INTENSITY DISTRIBUTION DIAGRAM



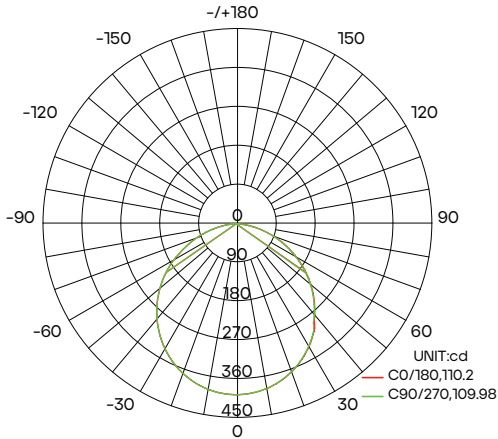
AVERAGE BEAM ANGLE(50%): 110.1 DEG

*DIAGRAM SHOWING LR23491 AT 2700K

CO PLANE ISOLUX DIAGRAM (UNIT:lx)



LUMINOUS INTENSITY DISTRIBUTION DIAGRAM



AVERAGE BEAM ANGLE(50%): 110.0 DEG

*DIAGRAM SHOWING LR23493 AT 2700K

CO PLANE ISOLUX DIAGRAM (UNIT:lx)

