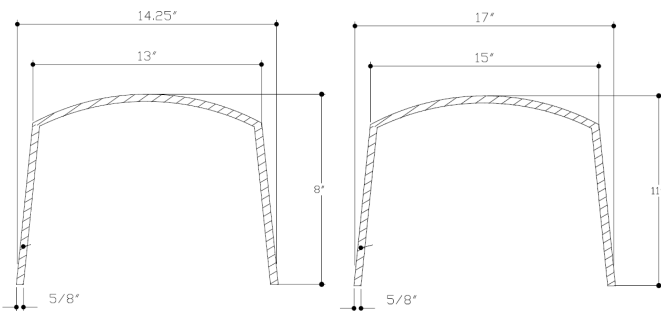


Technical Product Specification



Model Number	Inside Height	Outside Diameter
FF109-FRSC	7 3/8"	14 1/4"
FF109-FRSC ^{XL}	10 3/8"	17"

Performance Data

For Use:

- Intertek/OPL certified to maintain the fire rating (1 hour) of fire-rated floor/ceiling assemblies.
- Suitable for a wide range of in-ceiling loudspeakers.



Intertek
 Tested to ASTM E119
 UBC 7.1
 NFPA 251
 ASI A2.1

General Information

Benefits:

- 60 minute protection.
- Enhances the acoustic protection of the ceiling.
- Can be used in floor/ceiling assemblies.
- Lightweight (approx. 1.5 lbs and 2.5 lbs).
- Easy Installation - can be fitted in seconds - no screws, drilling or additional sealant required.
- Flexible material enables the cover to be fitted around obstacles or retro-fitted.
- Reduces heat loss through the fixture.
- Significant energy cost savings.
- Maintenance free.



The FF109-FRSC sizes have been designed to help maintain the integrity of fire rated ceilings when penetrated by in-ceiling loudspeakers.

Two convenient cover sizes give the architect, audio professional or installer more freedom in loudspeaker selection.

The sound absorbing properties of the FF109 enhance the acoustic rating of the structure for crisp and clear sound.

