

# LUXRITE®

## LED CANLESS - SPOTLIGHT SHERMAN COLLECTION

### 3"



\*TRIMS SOLD SEPARATELY





## LR25230

LED/ALMD3H/27K/D/FL



## LR25231

LED/ALMD3H/30K/D/FL



## LR25232

LED/ALMD3H/35K/D/FL



## LR25233

LED/ALMD3H/40K/D/FL



APERTURE	3"
DISTRIBUTION	INTERCHANGEABLE
APPLICATION	NEW CONSTRUCTION & REMODEL

## ELECTRICAL

POWER	15W
INPUT VOLTS	120-277V
INPUT CURRENT	350mA
FREQUENCY	50/60Hz
DIMMING TYPE	TRIAC
DIMMING RANGE	10-100%
FEED WIRE GAUGE	18AWG
BREAKER SPECIFICATION *(15A @120V)	79pcs*

\*Mathematically estimated value. Actual capacity may vary by breaker type and installation environment.

## PHOTOMETRIC

COLOR	LR25230: 2700K - WARM WHITE
	LR25231: 3000K - SOFT WHITE
	LR25232: 3500K - NATURAL
	LR25233: 4000K - COOL WHITE
CRI	90
LUMEN (EFFICACY)	LR25230: 1100lm (73lm/w)
	LR25231: 1200lm (80lm/w)
	LR25232: 1250lm (83lm/w)
	LR25233: 1300lm (87lm/w)
BEAM ANGLE	35°

## CERTIFICATIONS & SAFETY

LR25230, LR25231, LR25232, LR25233	ETL
IP RATING	IP20
IC RATED	NO
AIR TIGHT	NO
OPERATING TEMP.	-4°F to 104°F
COST/YR	\$ 1.80
WARRANTY	5 YR

## MATERIAL & APPLICATION

HEAT SINK	DIE-CAST ALUMINUM
TRIM	ALUMINUM
LENS	PC ACRYLIC
CUTOUT	Ø2.83"
MOUNTING TYPE	RECESSED
AREA OF APPLICATION	RESIDENTIAL, COMMERCIAL
CEILING TYPE	DRYWALL, WOOD

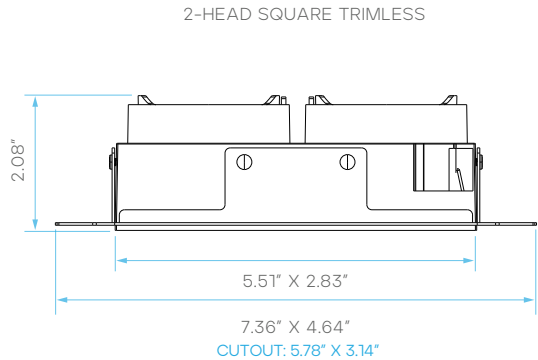
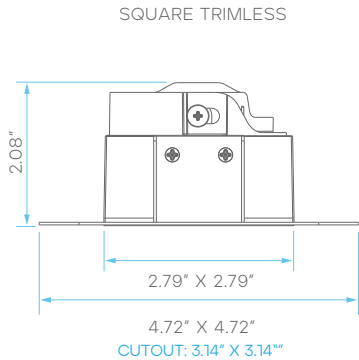
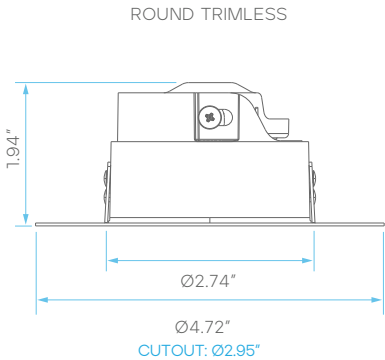
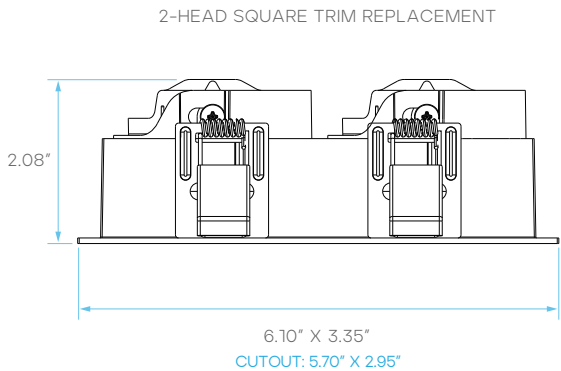
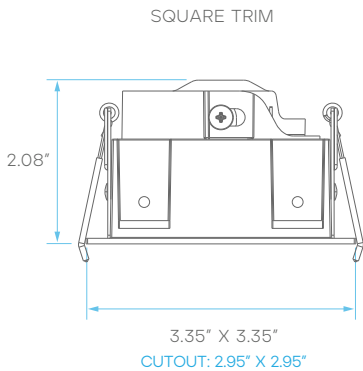
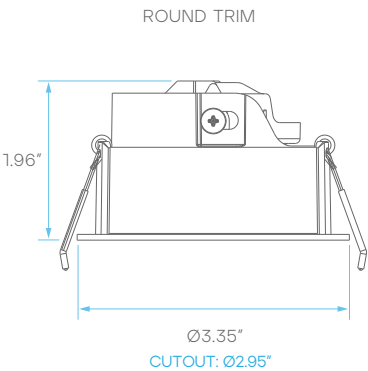
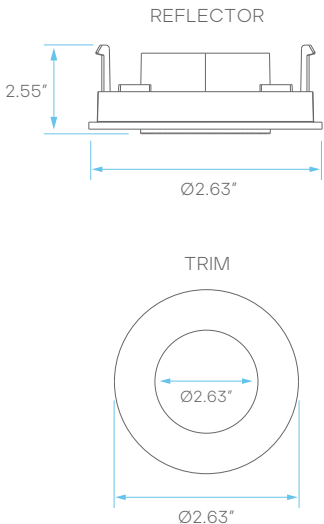
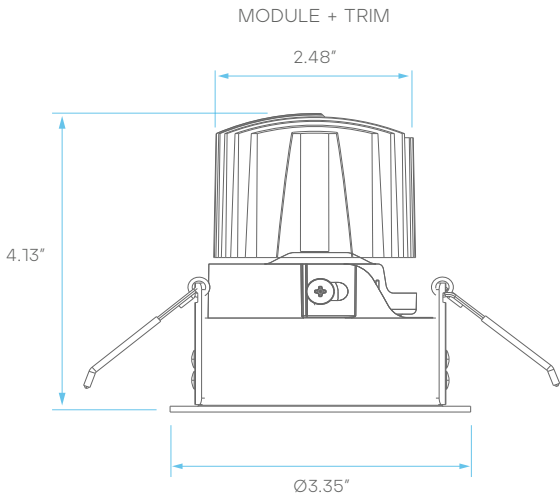
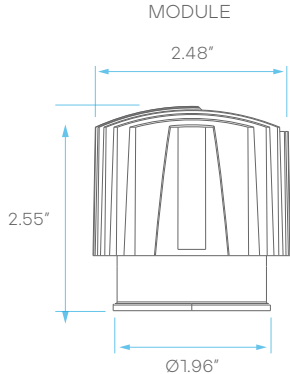
## DRIVER

MODEL	DESCRIPTION	POWER	INPUT VOLTS	INPUT CURRENT	FREQUENCY	INPUT POWER	OUTPUT VOLTAGE	DIMENSIONS	KNOCKOUTS
	INCLUDED DRIVER	15W	120-277V	350mA	60Hz	15W max	36V DC	3.85"L X 2.32"W X 1.53"H	3
LR25234*	LED/ALMD3H/UNV/0-10V/DRIVER	20W	120-277V	350mA	60Hz	20W max	36V DC	7"L X 1.65"W X 1.88"H	3

MODEL	DESCRIPTION	EM POWER	INPUT VOLTS	INPUT CURRENT	FREQUENCY	INPUT POWER	OUTPUT VOLTAGE	RECHARGE TIME	EMERGENCY TIME
LR35126**	LED/EMR/15W/AC/SF/E	15W	100-347V	100mA	50/60Hz	12W max	170V DC	24HR	90MINS

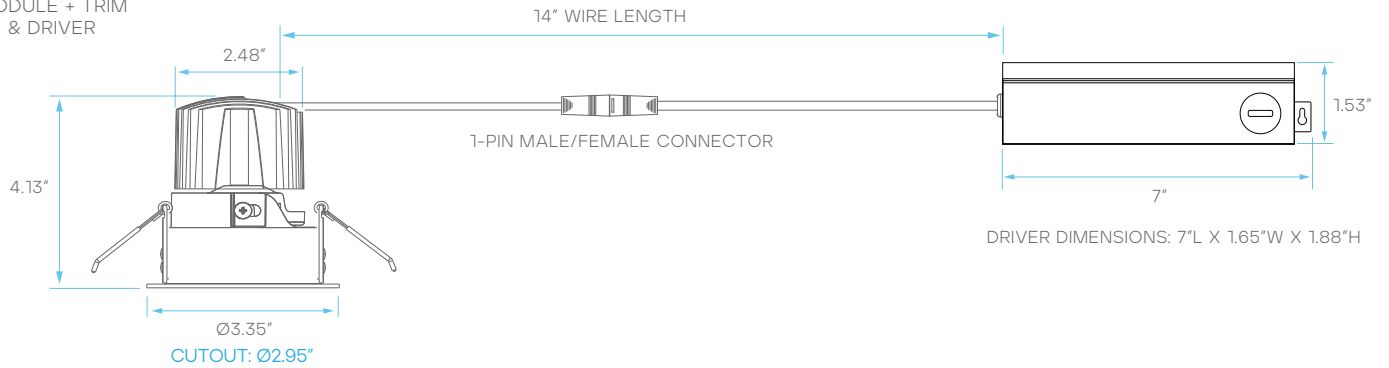
\*AMBIENT TEMPERATURE: 4TF ~ 122°F  
\*SOLD SEPARATELY

## DIMENSIONS



## DIMENSIONS

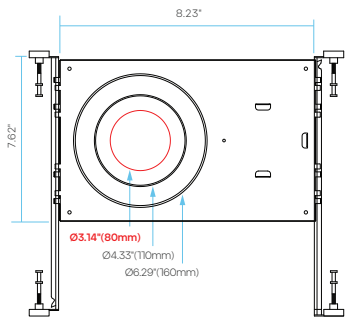
MODULE + TRIM  
& DRIVER



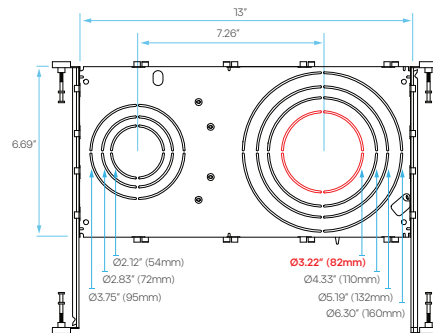
## PLATE COMPATIBILITY\*

\*SOLD SEPARATELY

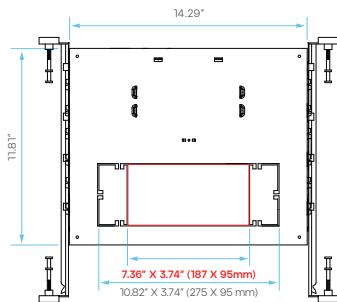
**LR41002**  
ROUND TRIM  
& TRIMLESS  
KNOCKOUT  
0



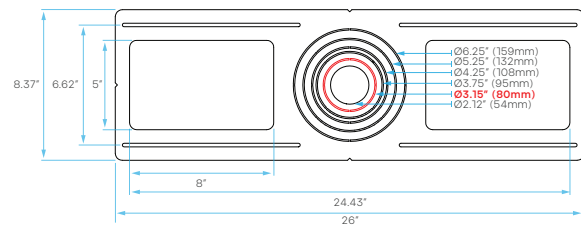
**LR41010**  
ROUND TRIM  
& TRIMLESS  
KNOCKOUT  
R0



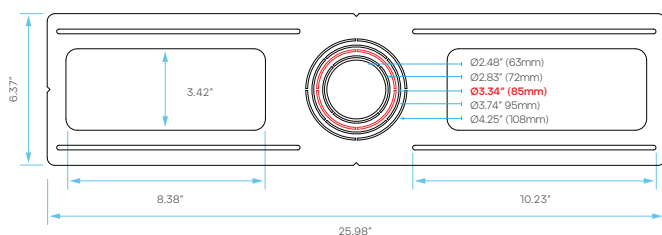
**LR41007**  
2-HEAD SQUARE  
TRIMLESS  
KNOCKOUT  
0



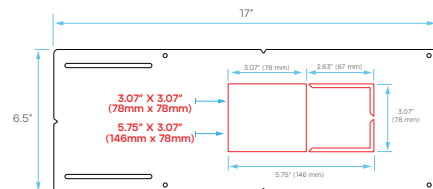
**LR41006**  
ROUND TRIM  
& TRIMLESS  
KNOCKOUT  
1



**LR41011**  
ROUND TRIMLESS  
KNOCKOUT  
2



**LR41014**  
SQUARE TRIM  
KNOCKOUT  
0  
2-HEAD TRIM  
KNOCKOUT  
1



## ADJUSTABLE TRIM OPTIONS\*

\*SOLD SEPARATELY

	MODEL	DESCRIPTON	SIZE	FINISH	SHAPE	APPLICATION
	LR25240 CUTOUT: Ø2.95"	LED/ALMD3H/ATRIM/WT/RD	3"	WHITE	ROUND	ADJUSTABLE
	LR25241 CUTOUT: Ø2.95"	LED/ALMD3H/ATRIM/WT/RF/RD	3"	WHITE/CHROME	ROUND	ADJUSTABLE
	LR25242 CUTOUT: Ø2.95"	LED/ALMD3H/ATRIM/BK/RD	3"	BLACK	ROUND	ADJUSTABLE
	LR25243 CUTOUT: Ø2.95"	LED/ALMD3H/ATRIM/BK/GL/RD	3"	BLACK/GOLD	ROUND	ADJUSTABLE
	LR25250 CUTOUT: 2.95" X 2.95"	LED/ALMD3H/ATRIM3/WT/SQ	3"	WHITE	SQUARE	ADJUSTABLE
	LR25251 CUTOUT: 2.95" X 2.95"	LED/ALMD3H/ATRIM3/BK/SQ	3"	BLACK	SQUARE	ADJUSTABLE
	LR25252 CUTOUT: 5.70" X 2.95"	LED/ALMD3H/2ATRIM3/WT/SQ	3"	WHITE	2-HEAD SQUARE	ADJUSTABLE
	LR25253 CUTOUT: 5.70" X 2.95"	LED/ALMD3H/2ATRIM3/BK/SQ	3"	BLACK	2-HEAD SQUARE	ADJUSTABLE



## SQUARE REFLECTOR OPTIONS\*

\*SOLD SEPARATELY

	MODEL	DESCRIPTON	SIZE	FINISH	SHAPE	APPLICATION
	LR25258	LED/ALMD3H/REFL/SQ/GL	3"	GOLD	SQUARE	FIXED
	LR25259	LED/ALMD3H/REFL/SQ/REF	3"	CHROME BLACK	SQUARE	FIXED


## TRIMLESS OPTIONS\*

\*SOLD SEPARATELY

	MODEL	DESCRIPTON	SIZE	FINISH	SHAPE	APPLICATION
	LR25245 CUTOUT: Ø2.95"	LED/ALMD3H/ATL/WT/RD	3"	WHITE	ROUND	TRIMLESS/ADJUSTABLE
	LR25246 CUTOUT: Ø2.95"	LED/ALMD3H/ATL/BK/RD	3"	BLACK	ROUND	TRIMLESS/ADJUSTABLE

## ADJUSTABLE TRIM OPTIONS\*

\*SOLD SEPARATELY

	MODEL	DESCRIPTON	SIZE	FINISH	SHAPE	APPLICATION
	LR25248 CUTOUT: 3.14" X 3.14"	LED/ALMD3H/ATRIM/WT/RD	3"	WHITE	SQUARE	TRIMLESS/ADJUSTABLE
	LR25249 CUTOUT: 3.14" X 3.14"	LED/ALMD3H/ATRIM/WT/RF/RD	3"	BLACK	SQUARE	TRIMLESS/ADJUSTABLE
	AS50225 CUTOUT: 5.78" X 3.14"	LED/ALMD3H/ATRIM/BK/RD	3"	WHITE	2-HEAD SQUARE	TRIMLESS/ADJUSTABLE
	AS50226 CUTOUT: 5.78" X 3.14"	LED/ALMD3H/ATRIM/BK/GL/RD	3"	BLACK	2-HEAD SQUARE	TRIMLESS/ADJUSTABLE

## ADDITIONAL MODULE COMPATIBILITY\*

\*SOLD SEPARATELY

	MODEL	DESCRIPTON	SIZE	FINISH	SHAPE	APPLICATION
	AS50250 CUTOUT: Ø2.95"	ARWWB	3"	WHITE/BLACK	ROUND	ADJUSTABLE/INTERCHANGEABLE
	AS50251 CUTOUT: Ø2.95"	ARBBG	3"	BLACK/GOLD	ROUND	ADJUSTABLE/INTERCHANGEABLE
	AS50252	DLMD/AR/REFL/MT	3"	METALLIC	ROUND	FIXED
	AS50253	DLMD/AR/REFL/WT	3"	WHITE	ROUND	FIXED
	AS50254	DLMD/AR/REFL/GLD	3"	GOLD	ROUND	FIXED
	AS50255	DLMD/AR/REFL/BLK	3"	BLACK	ROUND	FIXED
	AS50260	DLMD/AR/TRIM/MBLK	3"	MATTE BLACK	ROUND	FIXED
	AS50261	DLMD/AR/TRIM/GBLK	3"	GLOSS BLACK	ROUND	FIXED
	AS50262	DLMD/AR/TRIM/WOOD	3"	WOOD	ROUND	FIXED
	AS50263	DLMD/AR/TRIM/WHT	3"	WHITE	ROUND	FIXED

## ADDITIONAL MODULE COMPATIBILITY\*

\*SOLD SEPARATELY

MODEL	DESCRIPTION	SIZE	FINISH	SHAPE	APPLICATION
 AS50264	DLMD/AR/TRIM/MRBL	3"	MARBLE	ROUND	FIXED

## ADDITIONAL ACCESSORIES\*

\*SOLD SEPARATELY

MODEL	DESCRIPTION	SHAPE	APPLICATION
 LR25235	LED/ALMD3H/LENS/FL22	22" FLOOD LENS	FIXED
 LR25236	LED/ALMD3H/LENS/FL60	60" FLOOD LENS	FIXED

## WIRE EXTENDER\*

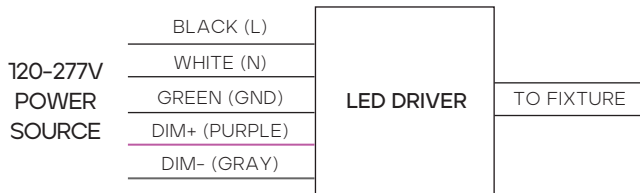
\*SOLD SEPARATELY



MODEL	TYPE
AS50121	48" - MALE/FEMALE



## WIRING DIAGRAM



## SUGGESTED COMPATIBLE DIMMER\*

LUTRON	CTCL-153P
	DVCL-153PDH
	DVCL-153P
LEVITON	6672
	6674
PASS & SEYMOUR	HCL453PTCCCV6

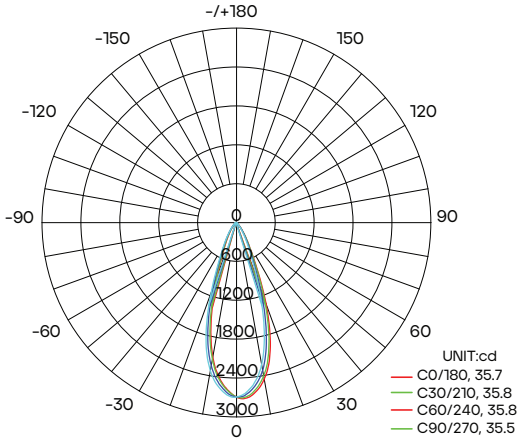
\*Dimmer performance may vary based on load, wiring, and installation conditions. Inclusion on this chart does not guarantee compatibility for every installation, and omission does not indicate incompatibility. Refer to the dimmer manufacturer's installation instructions and verify minimum load requirements to avoid field issues.

## PACKAGING

MODEL	STYLE	INNER BOX DIMENSIONS	MASTER CARTON DIMENSIONS	CASE
LR25230	INNER BOX + MASTER CARTON	8.97" X 6.61" X 3.07"	22.83" X 14.76" X 9.84"	10
LR25231	INNER BOX + MASTER CARTON	8.97" X 6.61" X 3.07"	22.83" X 14.76" X 9.84"	10
LR25232	INNER BOX + MASTER CARTON	8.97" X 6.61" X 3.07"	22.83" X 14.76" X 9.84"	10
LR25233	INNER BOX + MASTER CARTON	8.97" X 6.61" X 3.07"	22.83" X 14.76" X 9.84"	10

Luxrite® Luxiflow® tool is for informational purposes only, it is not intended to provide lighting or electrical advise.

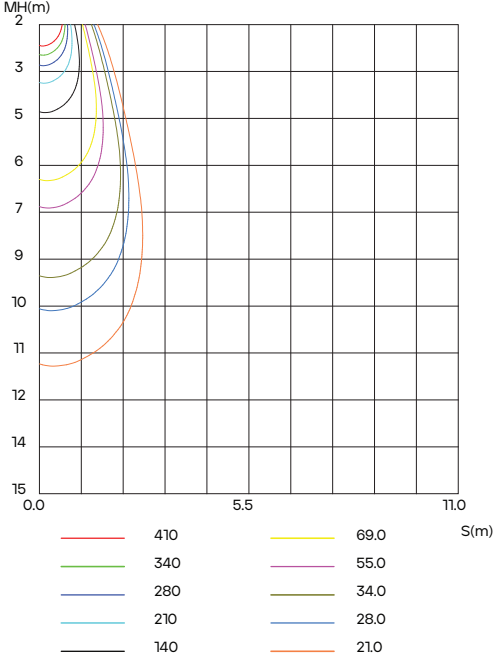
LUMINOUS INTENSITY DISTRIBUTION DIAGRAM



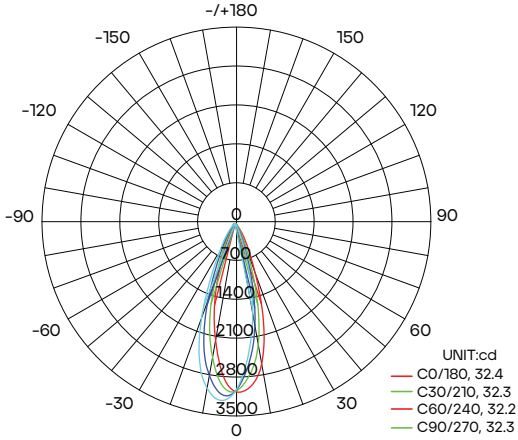
AVERAGE BEAM ANGLE(50%): 35.7 DEG

\*DIAGRAM SHOWING LR25230 - 2700K

C0 PLANE ISOLUX DIAGRAM (UNIT:lx)



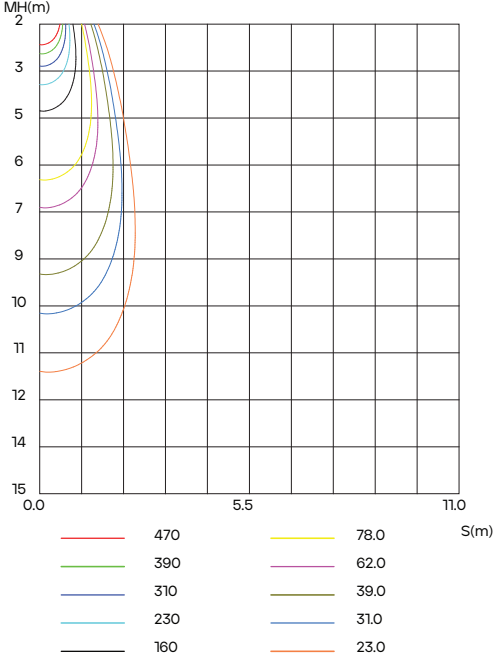
LUMINOUS INTENSITY DISTRIBUTION DIAGRAM



AVERAGE BEAM ANGLE(50%): 32.3 DEG

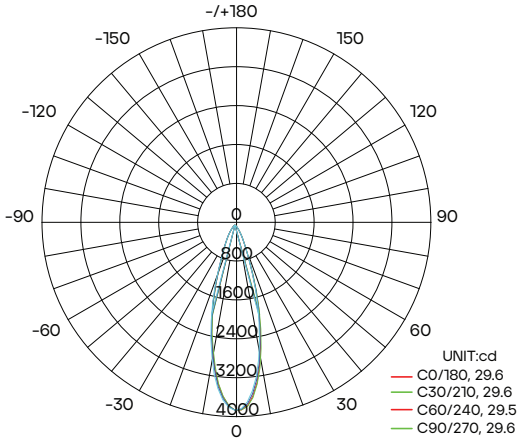
\*DIAGRAM SHOWING LR25231 - 3000K

C0 PLANE ISOLUX DIAGRAM (UNIT:lx)



Luxrite® Luxiflow® tool is for informational purposes only, it is not intended to provide lighting or electrical advise.

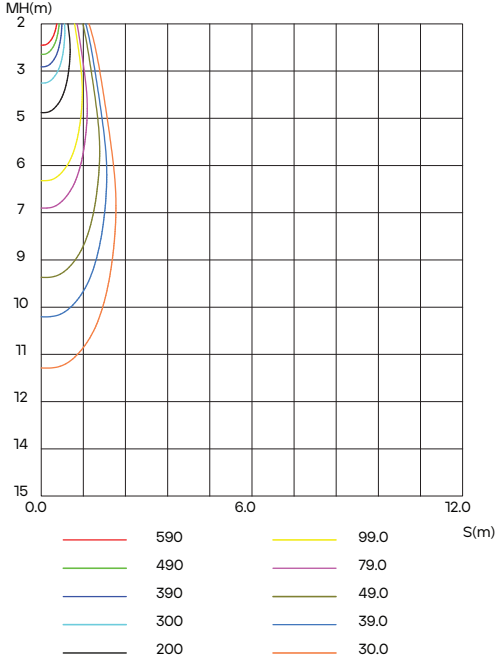
LUMINOUS INTENSITY DISTRIBUTION DIAGRAM



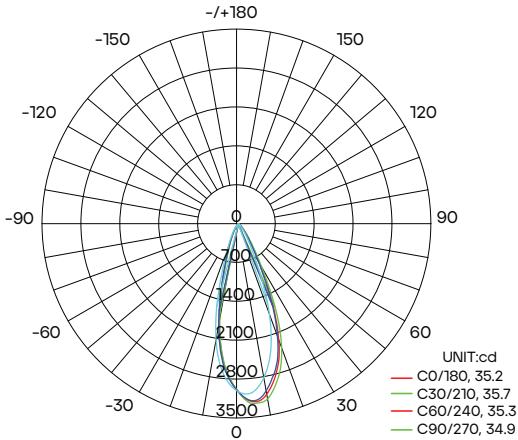
AVERAGE BEAM ANGLE(50%): 29.6 DEG

\*DIAGRAM SHOWING LR25232 - 3500K

C0 PLANE ISOLUX DIAGRAM (UNIT:lx)



LUMINOUS INTENSITY DISTRIBUTION DIAGRAM



AVERAGE BEAM ANGLE(50%): 35.3 DEG

\*DIAGRAM SHOWING LR25233 - 4000K

C0 PLANE ISOLUX DIAGRAM (UNIT:lx)

