

Dimmable Bubble Mirror 50 x 32 Black



DESCRIPTION

The Bubble Mirror features a distinctive dual-circle design, bringing together fluid, rounded forms with a refined, timeless aesthetic. Available with a slim black or brushed gold frame, or in a frameless option, it offers flexibility to suit a range of interiors. A subtle halo of backlit LED illumination creates a warm, ambient glow against the wall, while the overlapping composition adds depth and visual interest, making it a striking focal point for any space.

FEATURES & BENEFITS

- Color: Black
- Energy efficient LED technology
- Backlit
- Dimmable with standard MLV/TRIAC wall switches
- LED Lifetime: Approx. 120,000 hours
- Copper-free, silver-backed glass
- 5 year warranty

AVAILABLE LED OPTIONS

- 3000K LED Strip
- 6000K LED Strip

SPECIFICATIONS

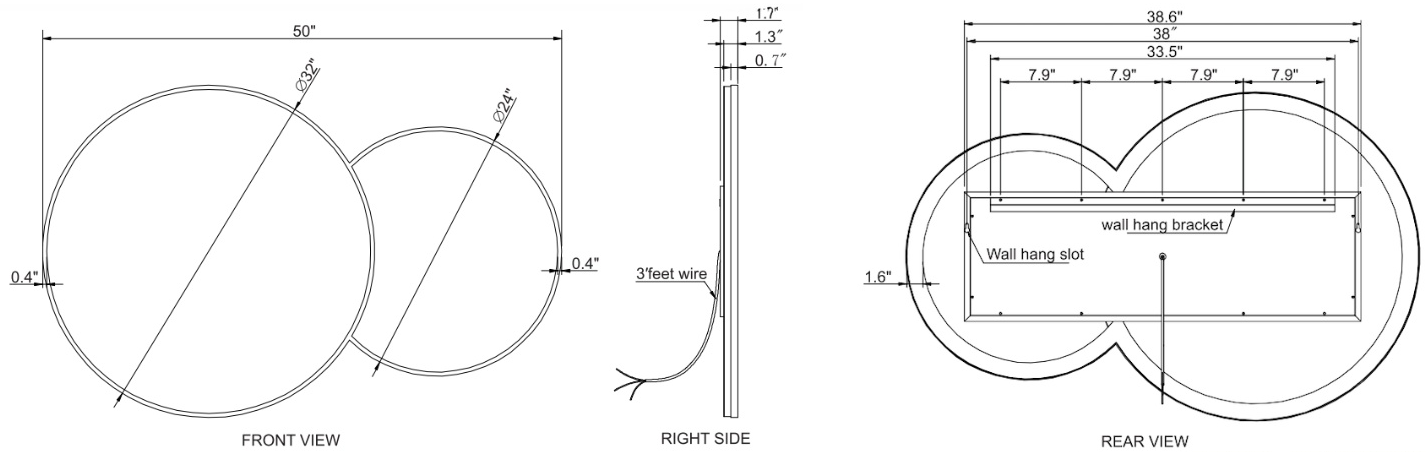
- **Dimensions:** 50" x 32"
- **Weight:** 54 Lbs
- **Ingress Protection Rating:** IP44
- **Input Voltage:** Hardwire 110V
- **Color Rendering Index:** CRI 90+
- **Power Requirement:** 58W
- **Brightness:** 6430 Lumens

SAFETY SPECIFICATIONS

- Entire assembly meets UL/cUL standards
- International Certifications



Dimmable Bubble Mirror 50 x 32 Black



INSTALLATION

- Hold the Z-bar on the wall, level it, and mark screw points.
- Drill pilot holes; add wall anchors if not hitting a stud. Install Z-bar (wall piece) – Screw it firmly into place and keep it level.
- Hook the mirror's pre-installed bracket over the wall cleat.
- Match & attach 3 electrical wires from mirror to home electrical wires: Live to Live, Ground to Ground, Neutral to Neutral.

CARE & SAFETY

- Wear suitable eye wear protection when drilling. Use caution when using power tools near water, beware of hidden cables or pipes.
- Be cautious if drilling on tiled surfaces in case the drill slips. Applying a piece of masking tape on the wall before marking out fixing holes can help stopping the drill from moving.

CLEANING & MAINTENANCE

- It is recommended to clean the unit with a soft, dry, non-abrasive cloth when turned off.
- Never use cleaning agents or abrasive material on any type of surface finish.
- Do not strike glass components with hard or pointy items.
- Do not place very hot or cold items against or in close proximity to glass surfaces.